



Operating Instructions and Parts Manual 12" and 14" Abrasive Cut-off Saws

Models AB-12, AB-14



AB-12

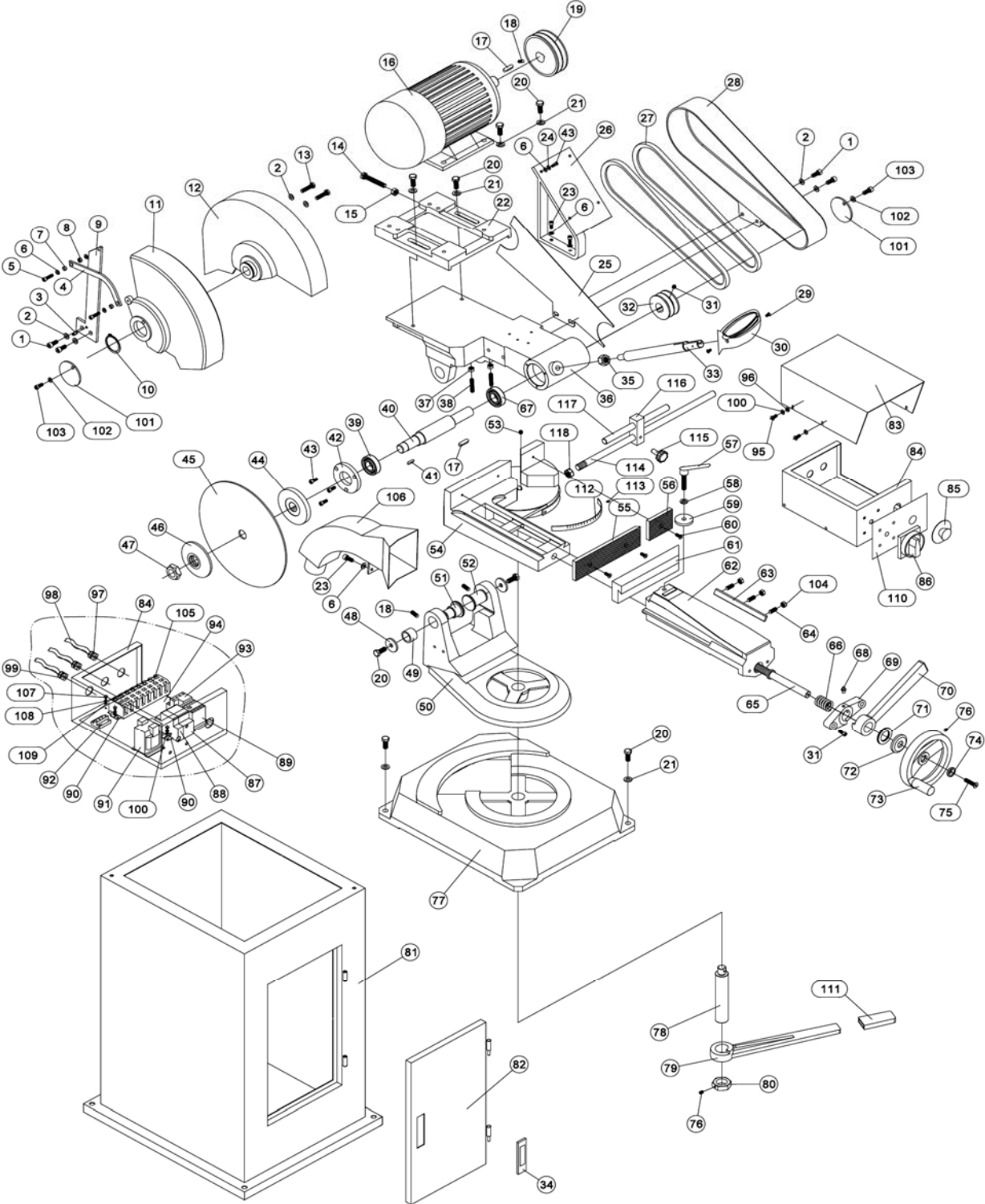
AB-14

For machines with serial no. 16110010 and higher

JET
427 New Sanford Road
LaVergne, Tennessee 37086
Ph.: 800-274-6848
www.jettools.com

Part No. M-414240
Edition 2 12/2016
Copyright © 2016 JET

12.1.1 AB-12 Abrasive Saw – Exploded View



12.1.2 AB-12 Abrasive Saw – Parts List

| Index No | Part No | Description | Size | Qty |
|----------|-----------------|-------------------------------------|-------------------|-----|
| 1 | TS-1504041 | Socket Head Cap Screw | M8x20 | 4 |
| 2 | TS-1550061 | Flat Washer | 8mm | 6 |
| 3 | AB12-03 | Spring Pin | 6x12mm | 1 |
| 4 | AB12-04 | Pull Rod | | 1 |
| 5 | TS-1503061 | Socket Head Cap Screw | M6x25 | 2 |
| 6 | TS-1550041 | Flat Washer | 6mm | 12 |
| 7 | AB12-07 | Ring | | 2 |
| 8 | TS-2311061 | Hex Nut | M6 | 1 |
| 9 | AB12-09 | Plate | | 1 |
| 10 | F006056 | Ext. Retaining Ring | 45 mm | 1 |
| 11 | AB12-11 | Blade Guard A | | 1 |
| 12 | AB12-12 | Blade Guard B | | 1 |
| 13 | TS-1490061 | Hex Cap Screw | M8x35 | 2 |
| 14 | TS-1491121 | Hex Cap Screw | M10x70 | 1 |
| 15 | TS-2311101 | Hex Nut | M10 | 1 |
| 16 | AB12-16-230 | Motor (for s/n 16110001~16110009) | 5HP 230V 3PH | 1 |
| | AB12-16-230/460 | Motor (for s/n 16110010 and higher) | 5HP 230/460 3PH | 1 |
| | AB12-16-1 | Motor Fan Cover (not shown) | | 1 |
| | AB12-16-2 | Motor Fan (not shown) | | 1 |
| | AB12-16-3 | Junction Box (not shown) | | 1 |
| | AB12-16-4 | Junction Box Cover (not shown) | | 1 |
| 17 | EPR1460-89-2 | Key, Double Rd Hd | 8x8x30mm | 2 |
| 18 | TS-1524031 | Socket Set Screw | M8x12 | 3 |
| 19 | AB12-19 | Motor Pulley | | 1 |
| 20 | TS-1491031 | Hex Cap Screw | M10x25 | 10 |
| 21 | TS-1550071 | Flat Washer | 10mm | 8 |
| 22 | AB12-22 | Motor Base | | 1 |
| 23 | TS-1503031 | Socket Head Cap Screw | M6x12 | 2 |
| 24 | TS-2361061 | Lock Washer | 6mm | 4 |
| 25 | AB12-25 | Baffle | | 1 |
| 26 | AB12-26 | Electrical Box Mount | | 1 |
| 27 | VB-A940 | Belt | A940 | 2 |
| 28 | AB12-28 | Belt guard | | 1 |
| 29 | TS-1533032 | Machine Screw, Pan Head | M5x10 | 2 |
| 30 | AB12-30 | Switch Handle | | 1 |
| 31 | TS-1524051 | Socket Set Screw | M8x20 | 3 |
| 32 | AB12-32 | Spindle Pulley | | 1 |
| 33 | AB12-33 | Handle Shank | | 1 |
| 34 | AB12-34 | Spring Lock Assembly | MS720-2 | 1 |
| 35 | TS-2311141 | Hex Nut | M14 | 1 |
| 36 | AB12-36 | Brace | | 1 |
| 37 | TS-2311101 | Hex Nut | M10 | 6 |
| 38 | AB12-38 | Lock Bolt | M8X40 | 2 |
| 39 | BB-6206ZZ | Ball Bearing | 6206-ZZ | 2 |
| 40 | AB12-40 | Spindle | | 1 |
| 41 | 5509207 | Key, Double Rd Hd | 5x5x20mm | 1 |
| 42 | AB12-42 | Cover | | 1 |
| 43 | TS-1482031 | Hex Cap Screw | M6x16 | 7 |
| 44 | AB12-44 | Inner Flange | | 1 |
| 45 | AB12-45 | Blade | Φ300 x Φ25.4x3 mm | 1 |
| 46 | AB12-46 | Outer Flange | | 1 |
| 47 | AB12-47 | Hex Nut | | 1 |
| 48 | AB12-48 | Pad | | 2 |
| 49 | AB12-49 | Eccentric Sheath | | 1 |
| 50 | AB12-50 | Rotary Arm | | 1 |
| 51 | AB12-51 | Eccentric Shaft | | 1 |
| 52 | AB12-52 | Shaft | | 1 |
| 53 | TS-1524011 | Socket Set Screw | M8x8 | 1 |
| 54 | AB12-54 | Fixed Vise Assembly | | 1 |
| 55 | AB12-55 | Vise Plate | 2-3/8" x 8-3/4" | 1 |

| Index No | Part No | Description | Size | Qty |
|----------|------------------|---|--------------------|-----|
| 56 | AB12-56 | Vise plate | 2-3/8" x 3-1/8" | 1 |
| 57 | AB12-57 | Adjustable Handle | M10X30 | 2 |
| 58 | TS-2361101 | Lock Washer | 10mm | 1 |
| 59 | AB12-59 | Washer | | 1 |
| 60 | TS-1514021 | Flat Hd Socket Cap Screw | M6x16 | 3 |
| 61 | AB12-61 | Vise Plate | | 1 |
| 62 | AB12-62 | Upper Vise | | 1 |
| 63 | AB12-63 | Adjust Plate | | 1 |
| 64 | TS-1524061 | Socket Set Screw | M8X25 | 4 |
| 65 | AB12-65 | Vise Leadscrew | | 1 |
| 66 | AB12-66 | Spring | | 1 |
| 67 | BB-6205ZZ | Ball Bearing | 6205-2Z | 1 |
| 68 | AB12-68 | Oil Cup | M6 | 1 |
| 69 | AB12-69 | Lock Ring | | 1 |
| 70 | AB12-70 | Lock Handle | | 1 |
| 71 | AB12-71 | Bearing | AXK3047 | 1 |
| 72 | AB12-72 | Bearing Cover | | 1 |
| 73 | AB12-73 | Handwheel Assembly | Ø150XØ18 mm | 1 |
| 74 | AB12-74 | Washer | | 1 |
| 75 | F010985 | Flat Hd Socket Cap Screw | M8X35 | 1 |
| 76 | TS-1523031 | Socket Set Screw | M6X10 | 2 |
| 77 | AB12-77 | Base | | 1 |
| 78 | AB12-78 | Shaft | | 1 |
| 79 | AB12-79 | Lock Handle | | 1 |
| 80 | AB12-80 | Nut | | 1 |
| 81 | AB12-81 | Stand | | 1 |
| 82 | AB12-82 | Door | | 1 |
| 83 | AB12-83 | Cover | | 1 |
| 84 | AB12-84 | Electrical Box | | 1 |
| 85 | AB12-85 | Emergency Switch | XB2-ES542 | 1 |
| 86 | AB12-86 | Main Switch | SA1 ZH-DH-2 | 1 |
| 87 | AB12-87 | Circuit Breaker | NB1-63 2P2A | 1 |
| 88 | AB12-88 | Circuit Breaker | NB1-63 1P1A | 1 |
| 89 | AB12-89 | A.C. Contactor | CU-18 AC24V | 1 |
| 90 | AB12-90 | Caliper Gauge | | 2 |
| 91 | AB12-91-230V | Transformer (for s/n 16110001~16110009) | JCY-63 220/24V | 1 |
| | AB12-91-230/460V | Transformer (for s/n 16110010 and higher) | JCY-63 230/460/24V | 1 |
| 92 | AB12-92 | Grounding Copper Bar | | 1 |
| 93 | AB12-93 | Thermal Relay | RHU-10 6A 11.3-16A | 1 |
| 94 | AB12-94 | Subplate | | 1 |
| 95 | TS-2284082 | Machine Screw, Pan Head | M4x8 | 12 |
| 96 | TS-1550021 | Flat Washer | 4mm | 12 |
| 97 | AB12-97 | Strain Relief | M20x1.5 | 2 |
| 98 | AB12-98 | Wire | 14AWG | 3 |
| 99 | AB12-99 | Strain Relief | M16x1.5 | 1 |
| 100 | TS-2361041 | Lock Washer | 4mm | 12 |
| 101 | AB12-101 | Cover | | 2 |
| 102 | TS-1550021 | Flat Washer | 4mm | 2 |
| 103 | TS-1501021 | Socket Head Cap Screw | M4x8 | 2 |
| 104 | F003068 | Hex Nut, Blk Oxd | M4-0.7 | 3 |
| 105 | AB12-105 | Terminal Block | | 1 |
| 106 | AB12-106 | Spark Collector | | 1 |
| 107 | TS-1533032 | Machine Screw, Pan Head | M5x10 | 2 |
| 108 | TS-1550031 | Flat Washer | 5mm | 2 |
| 109 | TS-2361051 | Lock Washer | 5mm | 3 |
| 110 | AB12-110 | Control Panel | | 1 |
| 111 | AB12-111 | Rubber Grip | | 1 |
| 112 | AB12-112 | Scale | | 1 |
| 113 | AB12-113 | Rivet | 2x6mm | 2 |
| 114 | AB12-114 | Connecting Bar | | 1 |
| 115 | AB12-115 | Star Grip Knob | | 1 |

| Index No | Part No | Description | Size | Qty |
|-----------------|----------------|-------------------------------------|-------------|------------|
| 116 | AB12-116 | Stop Block | | 1 |
| 117 | AB12-117 | Stop Rod | | 1 |
| 118 | TS-154010 | Hex Nut | M16 | 1 |
| | JET-165 | JET Logo (not shown) | 165X68mm | 1 |
| | LM000272 | ID/Warning Label, AB-12 (not shown) | | 1 |
| | LM000273 | Motor Label, AB-12 (not shown) | | 1 |