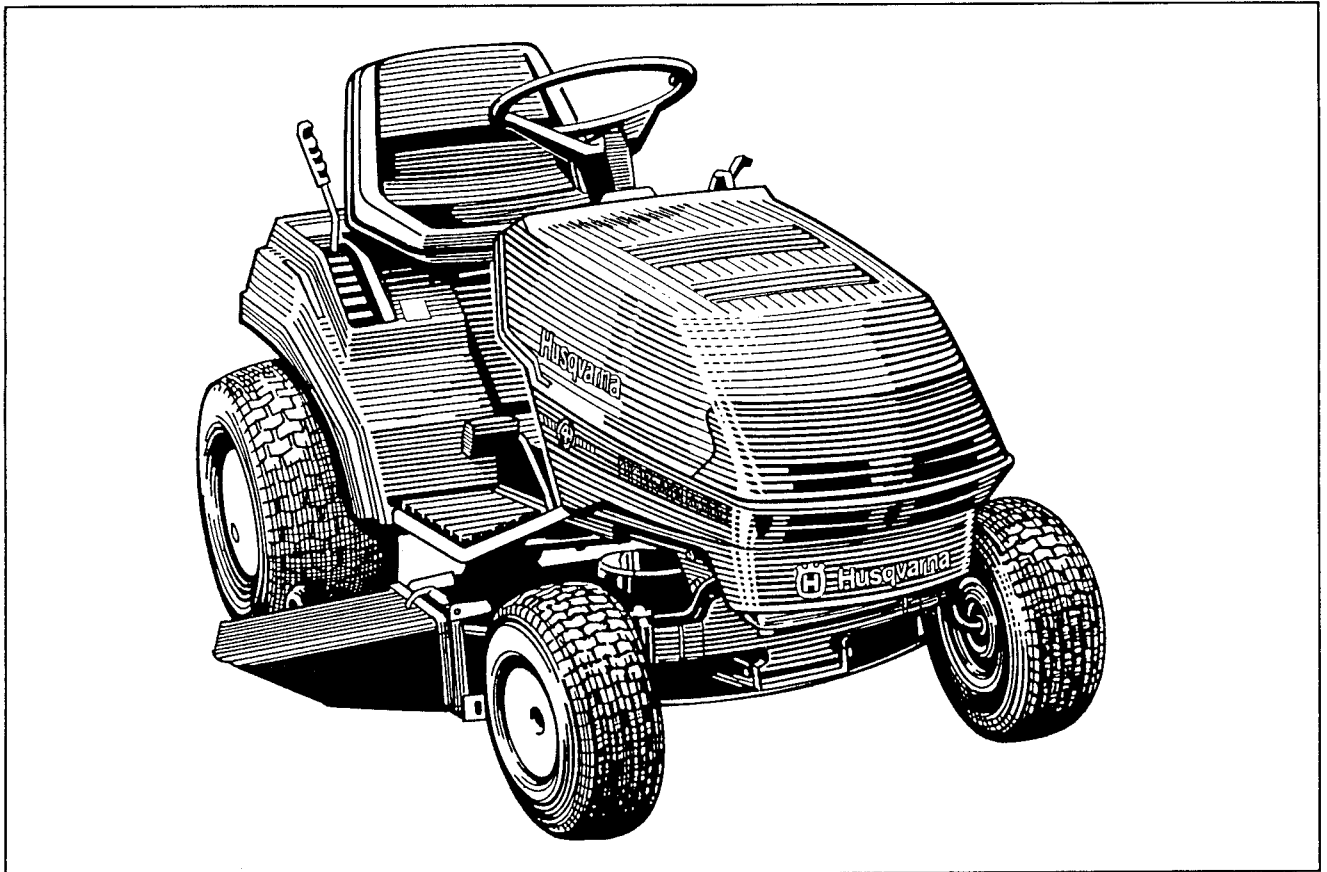


4140G



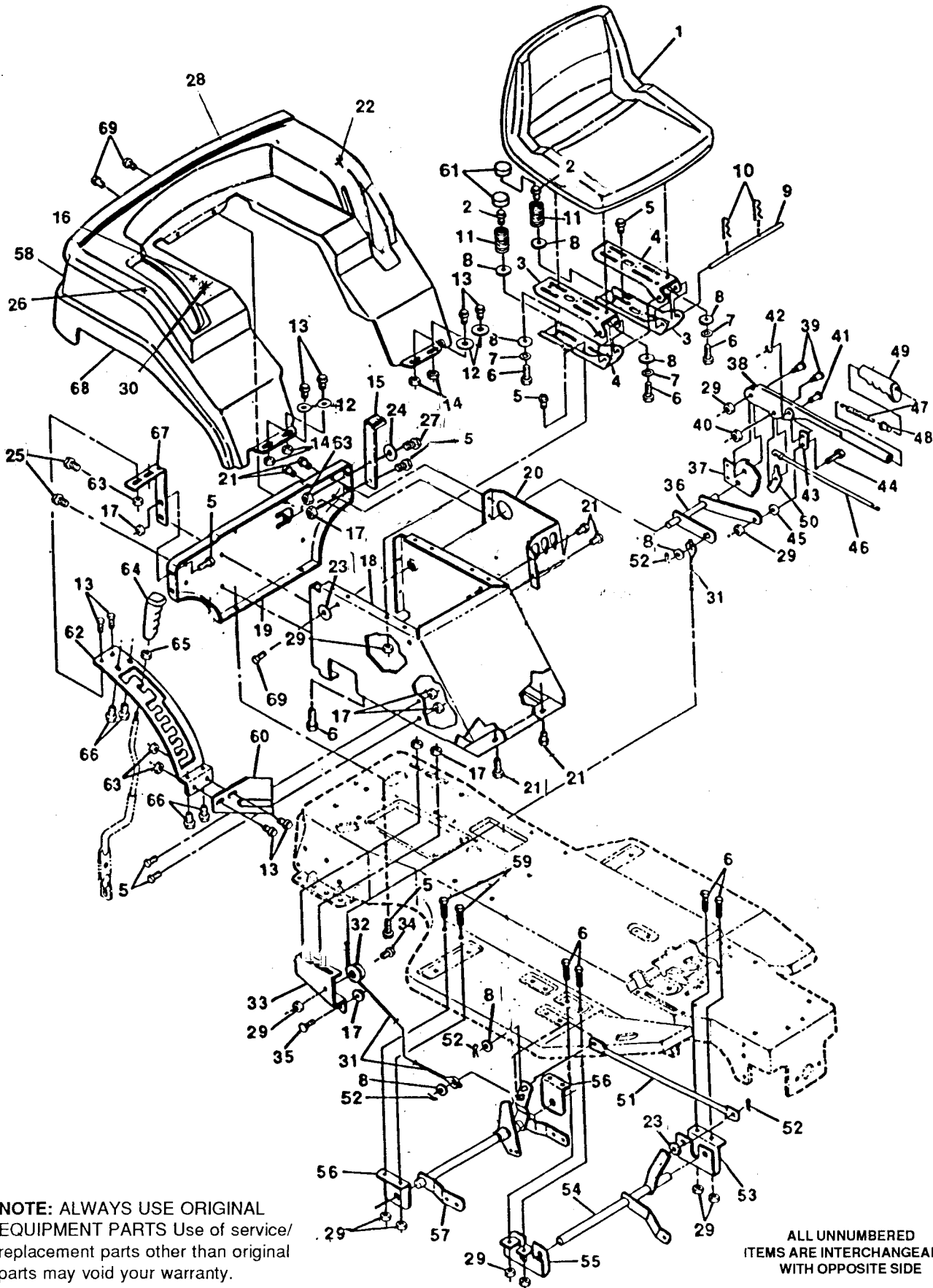
1.1991

Spare parts

Pièces détachées

TRACTOR REPAIR PARTS

46" TRACTOR MODEL NUMBER 4140G



NOTE: ALWAYS USE ORIGINAL EQUIPMENT PARTS Use of service/replacement parts other than original parts may void your warranty.

ALL UNNUMBERED ITEMS ARE INTERCHANGEABLE WITH OPPOSITE SIDE

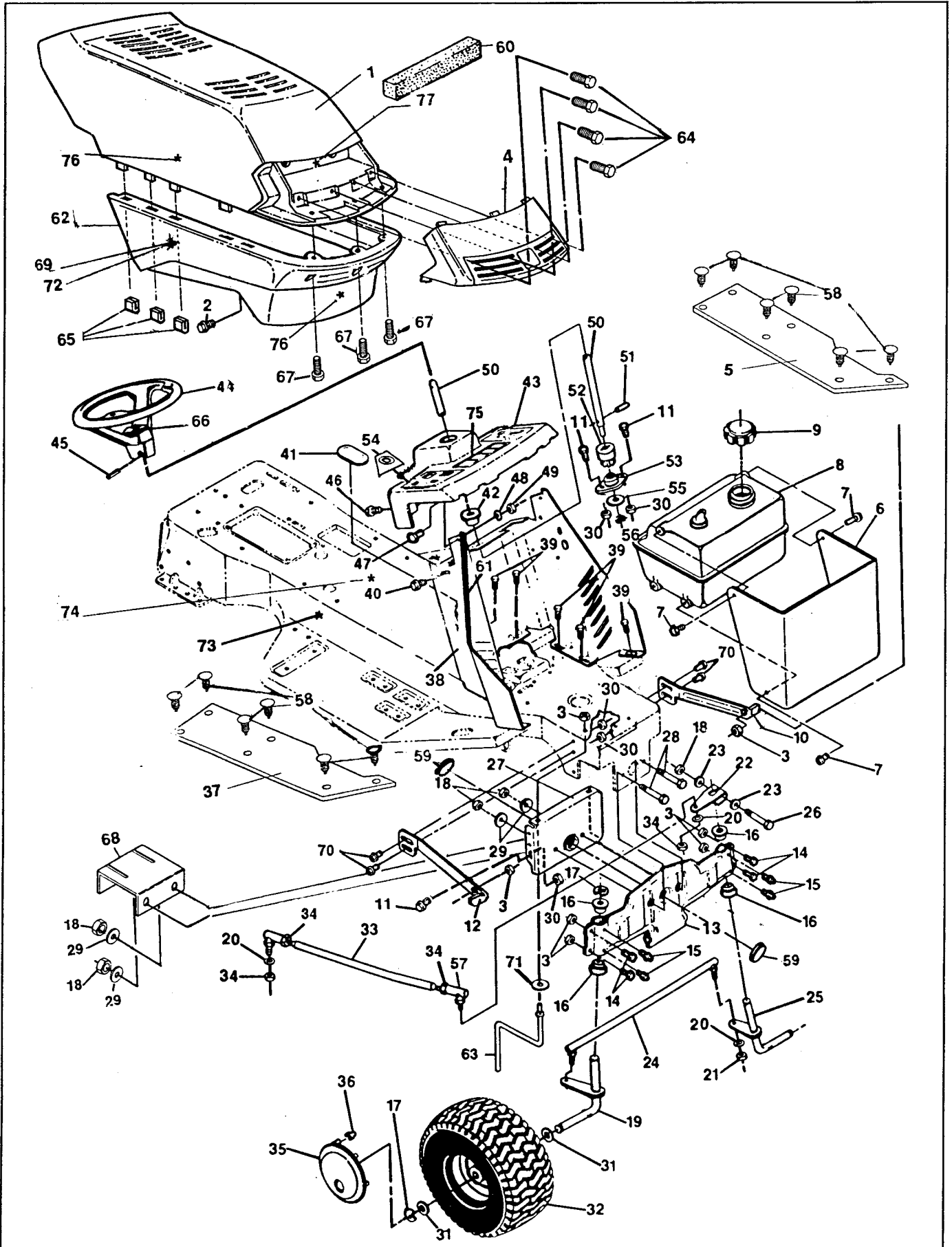
TRACTOR REPAIR PARTS

46" TRACTOR MODEL 4140G

| Key No. | Part No. | Description | Key No. | Part No. | Description |
|---------|----------|---|---------|----------|--|
| 1 | 310384 | Seat | 47 | 58326 | Spring, Height Adjust |
| 2 | 451814 | Screw, 5/16 18 x .63 | 48 | 58325 | Knob, Height Adjust |
| 3 | 305991 | Channel, Seat L. H. | 49 | 304730 | Handle, Lift |
| 4 | 304480 | Channel, Seat R. H. | 50 | 301239 | Pawl, Height Adjust |
| 5 | 56030 | Screw, Hx Hd, Wd Fl 5/16-18 x 3/4 In. | 51 | 302380 | Tie Rod |
| 6 | 122007 | Screw, Hx Hd, 5/16-18 x 3/4 In. | 52 | 121222 | Cotter Pin |
| 7 | 120638 | Washer, Lock 5/16 In. | 53 | 308339 | Bracket, L. H. Front Hanger |
| 8 | 120393 | Washer, Flat, 11/32 In. | 54 | 308345 | Assembly, Front Lift Shaft |
| 9 | 304481 | Rod, Seat Support | 55 | 308340 | Bracket, R. H. Front Hanger |
| 10 | 36368 | Hair Pin, .073 Dia. x 1.13 In. | 56 | 308343 | Bracket, Hanger |
| 11 | 305520 | Seat Spring | 57 | 308955 | Assembly, Rear Lift Shaft |
| 12 | 1084 | Washer, Flat, 9/32 In. | 58 | 316625 | Decal Shift-n-go (Husq.). |
| 13 | 180018 | Screw, Hx Hd, 1/4-20 x 5/8 In. | 59 | 180075 | Screw, Hx Hd, 5/16-18 x 5/8 In. |
| 14 | 1502 | Nut, Lock, 1/4-20 Thd. | 60 | 306401 | Support, Shift Plate |
| 15 | 306397 | Fender Support, L. H. | 61 | 56907 | Cover, Seat Spring |
| 16 | 316698 | Decal, Husqvarna U.S.A.s | 62 | 306294 | Quadrant |
| 17 | 55273 | Nut, Hx, Wd Fl, Lk 5/16-18 Thd. | 63 | 51335 | Nut, Hx, Wd Fl Lk, 1/4-20 Thd. |
| 18 | 304475 | Seat Support | 64 | 304728 | Handle |
| 19 | 304476 | Support, Fender & Seat | 65 | 120377 | Nut, Hx 3/8-16 Thd. |
| 20 | 302208 | Bracket, Support Engage | 66 | 300302 | Screw, Hx Hd, Tap #10 x 1/2 In. |
| 21 | 35497 | Screw, Hx Wshr Hd Tap, 5/16-18 x 1/2 In. | 67 | 306399 | Fender Support, R. H. |
| 22 | 311591 | Decal, Decal Height EURO Elec/ Clutch | 68 | 316329 | Fender |
| 23 | 274517 | Flatwasher, 13/32 In. | 69 | 995338 | Screw, Hx, Wshr Hd, Tap 1/4-20 x 5/8 In. |
| 24 | 120385 | Flatwasher | 70 | 316938 | Operator's Manual (Not Illustrated) English |
| 25 | 50634 | Screw, Tap, 5/16-18 x 7/8 I | 71 | 316939 | Operator's Manual (Not Illustrated) French |
| 26 | 307764 | Decal, Gear Shift Neutral EURO | 72 | 316693 | Parts Manual (Not Illustrated) (English) |
| 27 | 180020 | Screw, 1/4-20 x 3/4 In | | | |
| 28 | 311724 | Decal, Fender Rear, Hood Husq. | | | |
| 29 | 1498 | Nut, Hx Ctrk, 5/16-18 Thd. | | | |
| 30 | 307763 | Decal, Gear Shift 6 Speed EURO | | | |
| 31 | 303227 | Cable, Deck Lift | | | |
| 32 | 48306 | Pulley | | | |
| 33 | 303230 | Assembly, Pulley Bracket | | | |
| 34 | 305522 | Shoulder Bolt, 5/16-18 Thd. | | | |
| 35 | 126211 | Bolt, Carriage, 5/16-18 x 5/8 In. | | | |
| 36 | 302205 | Assembly, Upper Shaft | | | |
| 37 | 302383 | Quadrant | | | |
| 38 | 9143 | Lift Lever | | | |
| 39 | 300171 | Shoulder Bolt, 5/16-18 Thd. | | | |
| 40 | 44108 | Nut, Hx Wd Fl Lk 5/16-18 Thd. | | | |
| 41 | 300310 | Clevis Pin | | | |
| 42 | 300311 | E-Ring | | | |
| 43 | 302357 | Link | | | |
| 44 | 36149 | Shoulder Bolt, 5/16-18 Thd. | | | |
| 45 | 45602 | Washer | | | |
| 46 | 58330 | Actuator Rod | | | |

TRACTOR REPAIR PARTS

46" TRACTOR MODEL NUMBER 4140G



TRACTOR REPAIR PARTS

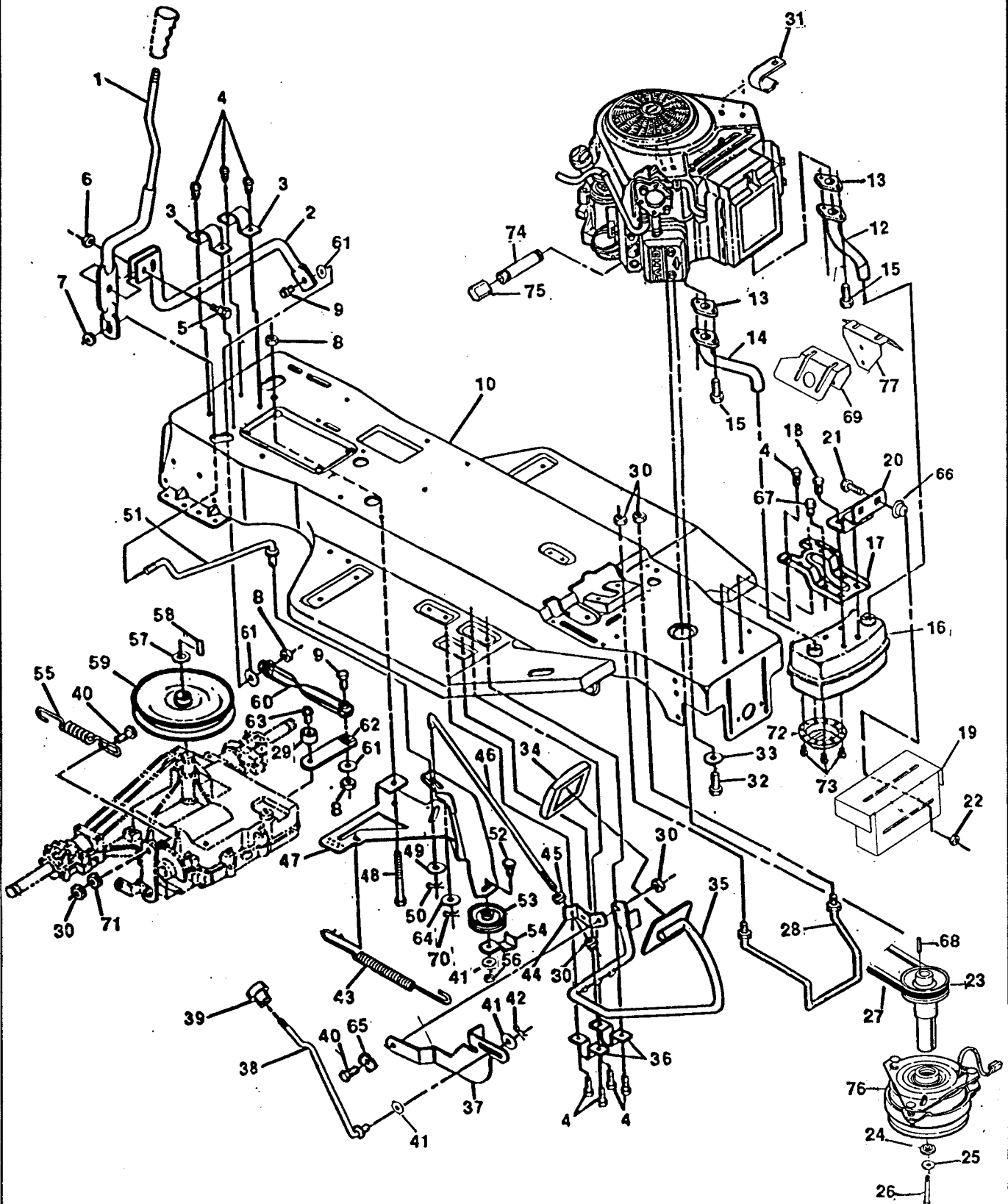
46" TRACTOR MODEL 4140G

| Key No. | Part No. | Description | Key No. | Part No. | Description |
|---------|----------|--|---------|----------|--|
| 1 | 310577 | Hood | 38 | 304702 | Dash, Lower |
| 2 | 25086 | Shoulder Bolt, 5/16-18 Thd. | 39 | 45263 | Screw, Tap, 5/16-18 x 3/8 In. |
| 3 | 1498 | Nut, Hx, Ctrlk, 5/16-18 Thd. | 40 | 995346 | Screw, Self-Tap, 1/4-20 x 1/2 In. |
| 4 | 306858 | Lens, Headlight | 41 | 305280 | Cover |
| 5 | 314885 | Assembly, Foot Pad L. H. | 42 | 303228 | Bushing, Upper Steering |
| 6 | 307437 | Heat Shield | 43 | 309199 | Dash, Upper |
| 7 | 300303 | Screw, Hx Hd, Plastite 1/4 Dia. x 3/4 In. | 44 | 303132 | Steering Wheel |
| 8 | 305820 | Tank, Gas 1.5 Gal W/Sensor | 45 | 456378 | Pin, , Spring, 1/4 x 2 In. |
| | 305804 | Low Fuel Sensor | 46 | 305850 | Screw, Tap, 1/4-20 x 1/2 In. |
| 9 | 12501 | Cap, Fuel | 47 | 120854 | Screw, Hx Hd, 1/4-20 x 5/8 In. |
| 10 | 309461 | Bracket, Hood L. H. | 48 | 120392 | Washer, Flat, 9/32 In. |
| 11 | 56030 | Screw, Hx Hd, 5/16 -18 x 3/4 In. | 49 | 1502 | Nut, Hx, Ctrlk, 1/4-20 Thd. |
| 12 | 309460 | Bracket, Hood R. H. | 50 | 302307 | Shaft, Steering |
| 13 | 310670 | Front Axle W/Bearings | 51 | 302524 | Pin, Dowel |
| 14 | 180075 | Screw, Hx Hd, 5/16-18 x 5/8 In. | 52 | 302314 | Pinion, Steering |
| 15 | 706 | Grease Fitting | 53 | 302498 | Bearing, Flange |
| 16 | 302303 | Bearing, Spindle | 54 | 309195 | Plate, Electric Clutch |
| 17 | 36625 | E-Ring | 55 | 2968 | Washer, Flat, 1/2 In. |
| 18 | 1499 | Nut, Hx, Ctrlk, 3/8-16 Thd. | 56 | 20864 | E-Ring |
| 19 | 305340 | Spindle, R. H. | 57 | 57158 | Ball, Joint, 3/8 Thd. |
| 20 | 120382 | Washer, Split, Lock 3/8 In. | 58 | 311087 | Ratchet Fastener |
| 21 | 120369 | Nut, Hx, 3/8-24 Thd. | 59 | 307112 | Plug, Front Axle |
| 22 | 317019 | Steering Arm, Upper | 60 | 308115 | Foam, Hood Baffle |
| 23 | 996416 | Washer, Flat, 25/64 In. | 61 | 47453 | Wide Trim 18 " |
| 24 | 300328 | Assembly, Tie Rod | 62 | 306856 | Grille |
| 25 | 305339 | Spindle, L.H. | 63 | 300440 | Belt Guide |
| 26 | 180134 | Screw, Hx Hd, 3/8-16 x 2-1/2 In. | 64 | 312085 | Screw, #4-24 x 1/2 In. |
| 27 | 306103 | Support Bracket, Front Axle | 65 | 306857 | Clip, Tinnerman |
| 28 | 122207 | Screw, Hx Hd, 3/8-16 x 3 In. | 66 | 311728 | Decal, Gunsight Cent. Steer Wheel |
| 29 | 2483 | Washer, Spring | 67 | 300302 | Screw, #10 x 1/2 In. |
| 30 | 55273 | Nut, Hx, Wd Fl Lk 5/16-18 Thd. | 68 | 312904 | Bracket, Stop |
| 31 | 642 | Washer, Flat, 3/4 In. | 69 | 316634 | Decal, Pin Stripe R.H.. |
| 32 | ^ | Wheel & Tire Assembly, Front | 70 | 53652 | Screw, Hex Fl, 5/16-18 x 3/4 In. |
| | 301140 | Tire, Rear | 71 | 138538 | Washer, Internal Tooth |
| | 312739 | Wheel/With Bearing | 72 | 316635 | Decal, Pin Stripe L.H. |
| | 24167 | Valve Stem | 73 | 311730 | Decal, Wheel 4 Steer Husq. |
| | 314416 | Bearing | 74 | 307772 | Decal Oper Instr ERO Top Frame |
| 33 | 302907 | Drag Link | 75 | 307280 | Decal, Dash, Chg , Oil, Fuel, All Systems |
| 34 | 124925 | Nut, Hx, Jam, 3/8-24 Thd. | 76 | 311724 | Decal, Fender Rear, Hood, Husq. |
| 35 | 306569 | Hubcap, Front | 77 | 310534 | Decal, Reflector |
| 36 | 306669 | Clip, Hubcap | | | |
| 37 | 314888 | Assembly, Foot Pad R. H. | | | |

(^) Order Parts Individually

TRACTOR REPAIR PARTS

46" TRACTOR MODEL NUMBER 4140G



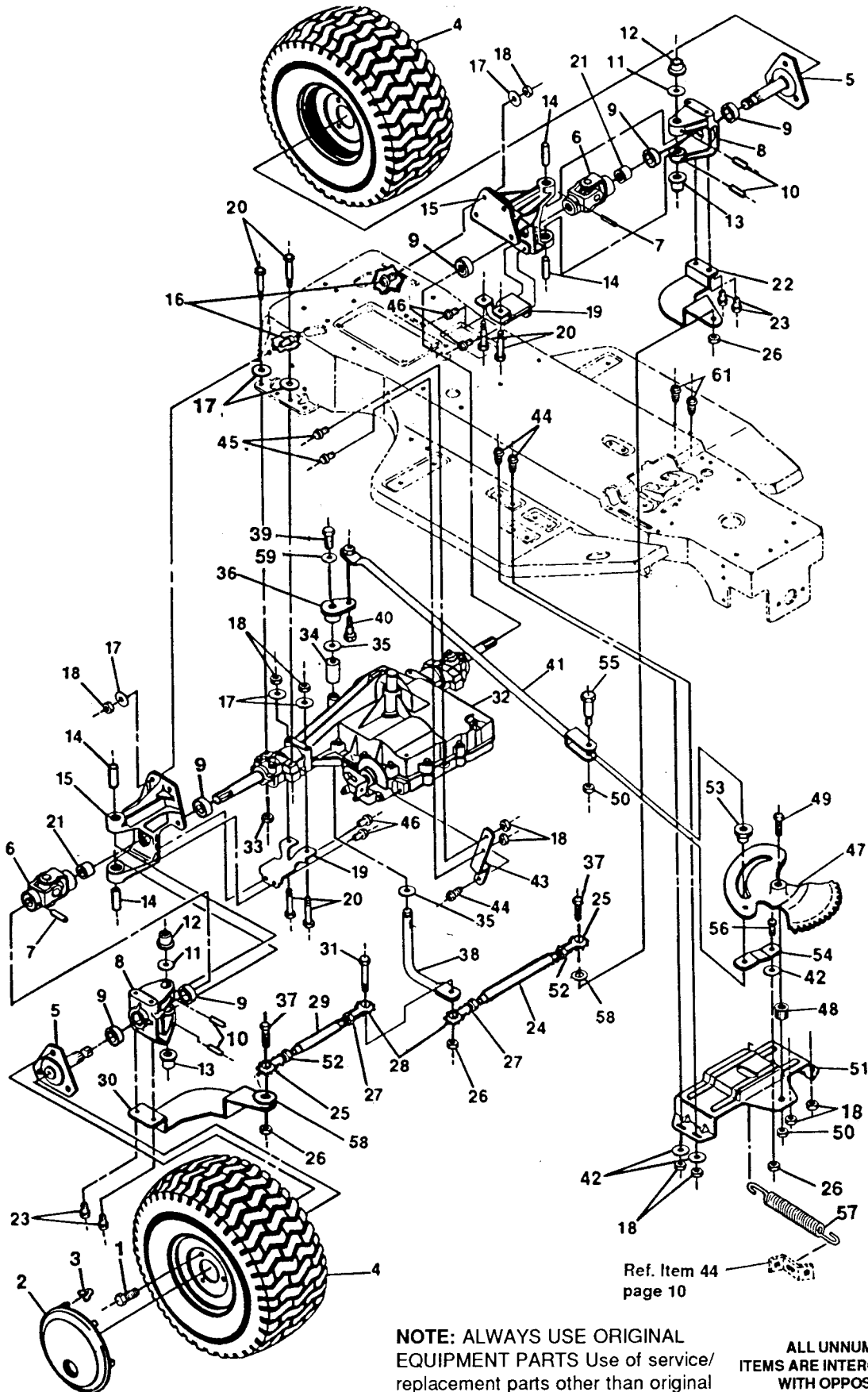
TRACTOR REPAIR PARTS

46" TRACTOR MODEL 4140G

| Key No. | Part No. | Description | Key No. | Part No. | Description |
|---------|----------|--|---------|----------|--|
| 1 | 304406 | Tube Assembly, Shift Pivot | 39 | 304367 | Knob, Park Brake |
| 2 | 304024 | Tube Assembly, Shift | 40 | 25086 | Shoulder Bolt, 5/16-18 Thd. |
| 3 | 302538 | Clip, Shift Lever | 41 | 120385 | Washer, 9/16 In. |
| 4 | 35497 | Screw, Hx Hd, Wshr Tap, 5/16-18 x 1/2 In. | 42 | 121223 | Cotter Pin |
| 5 | 304086 | Shoulder Bolt | 43 | 304209 | Spring, Clutch |
| 6 | 1502 | Nut, Hx, Ctrlk, 1/4-20 Thd. | 44 | 304125 | Bracket, Brake Rod |
| 7 | 71046 | Nut, Hx, Nylon, Lock 3/8-16 Thd. | 45 | 271184 | Nut, Hx, Keps, 5/16-18 Thd. |
| 8 | 1499 | Nut, Hx, Ctrlk, 3/8-16 Thd. | 46 | 304212 | Rod, Clutch |
| 9 | 122145 | Screw, 3/8-16 x 1-1/4 In. | 47 | 304049 | Arm, Idler |
| 10 | 315823 | Main Frame | 48 | 51189 | Shoulder Bolt, 3/8-16 Thd. |
| 11 | | Engine 14 Horsepower B&S | 49 | 274517 | Washer, Flat, 13/32 In. |
| 12 | 305555 | Exhaust Tube, L. H. | 50 | 36368 | Hairpin |
| 13 | | Gasket, Muffler (Engine Part) | 51 | 304083 | Rod, Shift-On-The-Go |
| 14 | 305554 | Exhaust Tube, R. H. | 52 | 57325 | Carriage Bolt, 3/8-16 x 2 In. |
| 15 | | Screw, Sem, Engine Part | 53 | 40223 | Idler Sheave, Backside |
| 16 | 305553 | Muffler | 54 | 304105 | Belt Retainer |
| 17 | 306577 | Bracket Muffler | 55 | 304130 | Spring, Brake |
| 18 | 995346 | Screw, Hx Hd, Tap 1/4-20 X1/2 In. | 56 | 45171 | Nut, Flange, 3/8-16 Thd, |
| 19 | 308144 | Heat Shield, Muffler | 57 | 22053 | Retaining Ring |
| 20 | 9796 | Bracket, Transaxle | 58 | 3021 | Key, Woodruff, #606 |
| 21 | 126211 | Bolt, Carriage, 5/16-18 X 5/8 In. | 59 | 303109 | Pulley |
| 22 | 55273 | Nut, Hx, Wd Fl, Lk 5/16-18 Thd. | 60 | 309546 | Shift Link |
| 23 | 309388 | Pulley Assembly, Engine | 61 | 120394 | Washer, Flat, 13/32 In. |
| 24 | 302879 | Bearing, Sleeve Sector Gear | 62 | 302582 | Shift Lever, Transaxle |
| 25 | 120383 | Washer, Split, Lock 7/8 In. | 63 | 56255 | Screw, Hx Hd, 1/4-28 X 3/4 In. |
| 26 | 215649 | Screw, Hx Hd, 7/16-20 X 5 -1/2 In. | 64 | 120392 | Flatwasher |
| 27 | 303241 | V-Belt, 90 In. Long | 65 | 30289 | Washer, Wave |
| 28 | 310162 | Belt Guide | 66 | 309436 | Push Nut, 5/16 Bolt Retainer |
| 29 | 57157 | Washer, Special | 67 | 995338 | Screw, Hex Hd Tap, 1/4-20 x 5/8 In. |
| 30 | 1498 | Nut, Hex, Ctrlk, 5/16-18 Thd. | 68 | 305562 | Key, Square 1/4 |
| 31 | 57569 | Cable Clip | 69 | 313044 | Air Deflector |
| 32 | 50947 | Screw, Hx Hd Tap, 3/8-16 X1-1/4 In. | 70 | 121222 | Pin, Cotter |
| 33 | 138489 | Washer, 3/8 In. | 71 | 308188 | Washer |
| 34 | 304490 | Pad, Clutch/Brake, Molded | 72 | 56472 | Deflector |
| 35 | 306083 | Assembly, Clutch/Brake Arm | 73 | 35287 | Screw, Hx Wa Hd, #8-32 x 3/8 In. |
| 36 | 313271 | Bracket, Clutch/Brake Arm | 74 | 307174 | Nipple, 3/8-18 x 4 In. |
| 37 | 304208 | Lever, Park Brake | 75 | 47828 | Cap, Pipe |
| 38 | 304217 | Rod, Parking Brake | 76 | 308950 | Electric Clutch |
| | | | 77 | 313043 | Air Deflector |

TRACTOR REPAIR PARTS

46" TRACTOR MODEL NUMBER 4140G



NOTE: ALWAYS USE ORIGINAL EQUIPMENT PARTS Use of service/replacement parts other than original parts may void your warranty.

ALL UNNUMBERED ITEMS ARE INTERCHANGEABLE WITH OPPOSITE SIDE

TRACTOR REPAIR PARTS

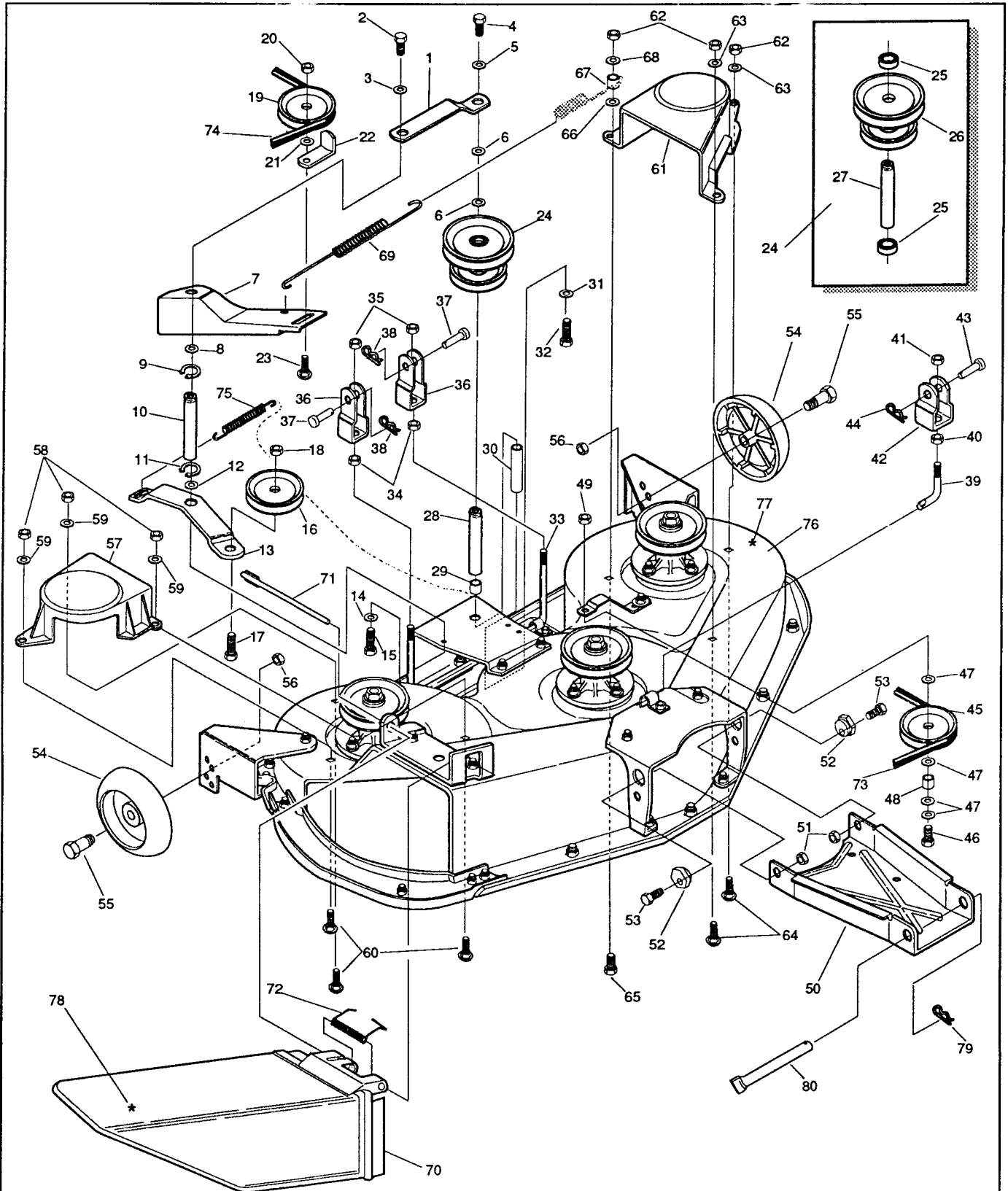
46" TRACTOR MODEL 4140G

| Key No. | Part No. | Description | Key No. | Part No. | Description |
|---------|-----------|-----------------------------------|---------|----------|---|
| 1 | 123418 | Screw, Hx Hd, 1/2-20 x 1/2 In. | 33 | 44108 | Nut, Hx, Wd Fl, Lk 5/16-18 Thd. |
| 2 | 306570 | Hubcap, 8 In. | 34 | 304115 | Spacer |
| 3 | 306669 | Clip, Hubcap | 35 | 25177 | Washer, Flat, 49/64 In. |
| 4 | ^ | Wheel & Tire Assembly, Rear | 36 | 308719 | Steering Pivot |
| | 58276 | Tire | 37 | 181639 | Screw, Hx Hd, 3/8-24 x 1-1/4 In. |
| | 12467 | Wheel | 38 | 308720 | Shaft, Steering Pivot |
| | 24167 | Valve Stem | 39 | 421051 | Screw, 5/16-24 x 1 In. |
| 5 | 315480 | Hub Assembly | 40 | 12319 | Bolt, Shoulder, 3/8-24 Thd. |
| 6 | 12290 | U-Joint Assembly | 41 | 302593 | Rod Assembly, Rear Wheel Steer |
| 7 | 36311 | Pin, Grooved, 1/4 x 1-1/2 In. | 42 | 446363 | Washer, Flat, 3/8 In. |
| 8 | 12465 | Bracket, Steering Pivot, Outer | 43 | 304127 | Bracket, Transaxle Stabilizer |
| 9 | 12325 | Bearing | 44 | 35498 | Screw, Hx Hd, Self-Tap, 5/16-18 x 3/4 In. |
| 10 | 456722 | Pin, Spring, 1/4 x 1-1/2 In. | 45 | 180075 | Screw, Hx Hd, 5/16-18 x 5/8 In. |
| 11 | 21682 | Washer, Flat | 46 | 451814 | Screw, Hx Hd, Self-Tap, 5/16-18 x 5/8 In. |
| 12 | 12288 | Bushing, Shouldered | 47 | 302877 | Assembly, Sector Gear |
| 13 | 12321 | Bushing, Shouldered | 48 | 302878 | Bushing, Sector Gear |
| 14 | 12289 | Pin, Steering Hinge | 49 | 304296 | Screw, Hx Hd, 1/2-20 x 2-3/8 In. |
| 15 | 12485 | Bracket, Steering Pivot, Inner | 50 | 274654 | Nut, Hx, Ctrlk, 1/2-20 Thd. |
| 16 | 122017 | Screw, Hx Hd, 5/16-18 x 1 In. | 51 | 308341 | Plate, 4-Wheel Steer Pivot |
| 17 | 120393 | Washer, Flat, 11/32 In. | 52 | 308399 | Nut, Jam, 3/8-24 Thd. |
| 18 | 1498 | Nut, Hx, Ctrlk 5/16-18 Thd. | 53 | 304116 | Cam Yoke Roller |
| 19 | 306001 | Bracket, Transaxle Mounting | 54 | 302594 | Arm, Roller Swing |
| 20 | 180089 | Screw, Hx Hd, 5/16-18 x 2-1/4 In. | 55 | 304122 | Shoulder Bolt, Cam Roller |
| 21 | 304123 | Spacer | 56 | 302588 | Shoulder Bolt, Cam Follower Arm Pivot |
| 22 | 306218 | Arm, Rear Wheel Steer, L. H. | 57 | 35410 | Spring, Clutch/Brake Pedal Return |
| 23 | 39728 | Screw, Self-Tap, 3/8-16 x 3/4 In. | 58 | 120382 | Washer, Split Lock |
| 24 | 308446 | Tie Rod, L. H. | 59 | 45602 | Washer, Flat |
| 25 | 308384 | Tie Rod End, L. H. | 60 | 3021 | Woodruff Key, #606 |
| 26 | 412349 | Nut, Hex, Ctrlk, 3/8-24 Thd. | 61 | 35497 | Screw, Tap, 5/16-18 x 1/2 In. |
| 27 | 124925 | Nut, Hex, Jam, 3/8-24 Thd. | | | |
| 28 | 304260 | Rod End | | | |
| 29 | 308447 | Tie Rod End, R. H. | | | |
| 30 | 306217 | Arm, Rear Wheel Steer, R. H. | | | |
| 31 | 181646 | Screw, Hx Hd, 3/8-24 x 1-3/4 In. | | | |
| 32 | Transaxle | Contact nearest dealer | | | |

(^) Order Parts Individually

TRACTOR REPAIR PARTS

46" TRACTOR MODEL NUMBER 4140G



NOTE: ALWAYS USE ORIGINAL EQUIPMENT PARTS Use of service/ replacement parts other than original parts may void your warranty.

ALL UNNUMBERED ITEMS ARE INTERCHANGEABLE WITH OPPOSITE SIDE

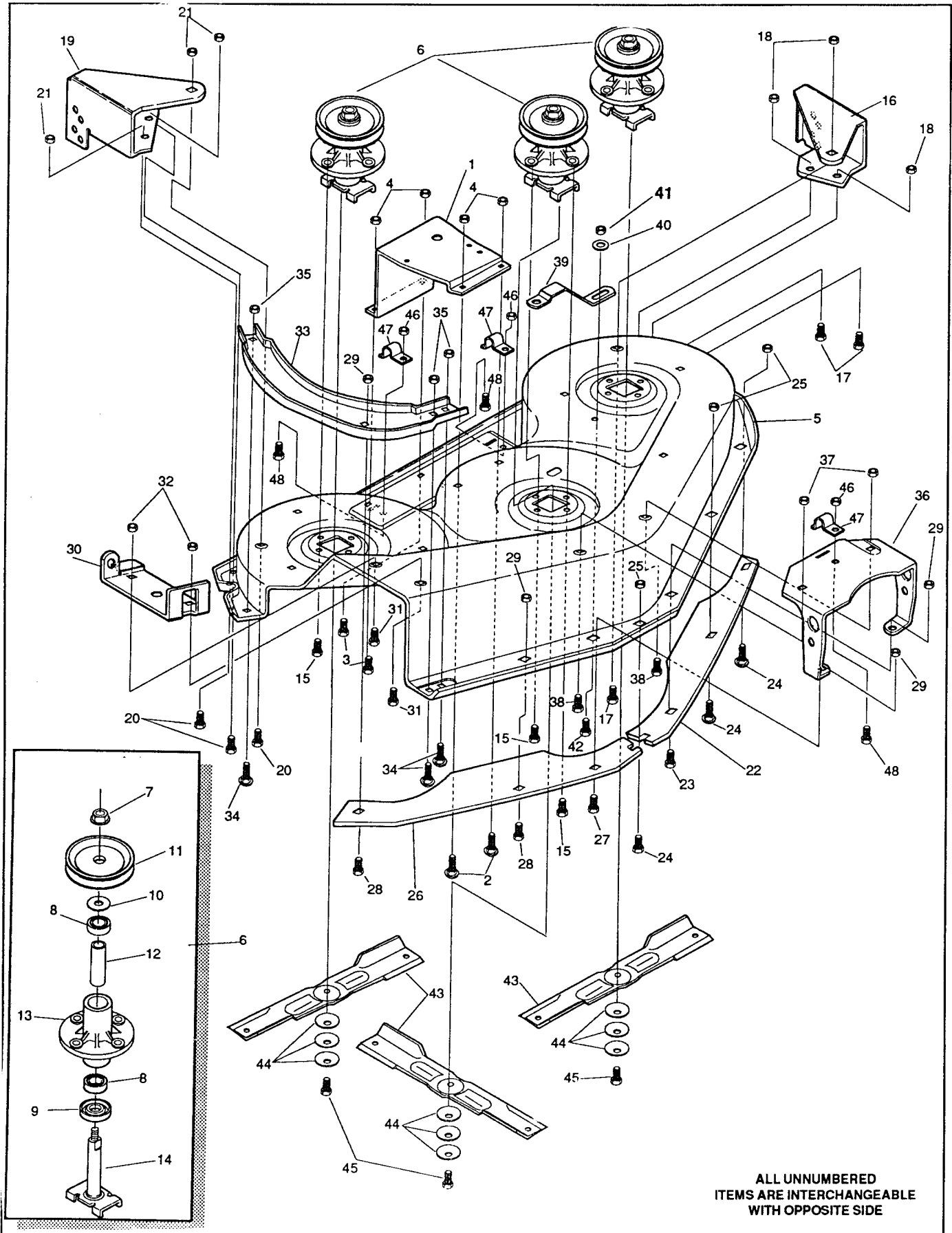
TRACTOR REPAIR PARTS

46" TRACTOR MODEL 4140G

| Key No. | Part No. | Description | Key No. | Part No. | Description |
|---------|----------|---------------------------------|---------|----------|---------------------------------|
| 1 | 306845 | Bracket, Jackshaft | 44 | 56180 | Hair Pin |
| 2 | 181596 | Screw, 5/16-24x.88 HHC | 45 | 303030 | Idler Pulley |
| 3 | 120638 | Washer, Splitlock, .328x.60x.11 | 46 | 122194 | Screw, 3/8-16 x 2.50 |
| 4 | 39573 | Screw, 3/8-24 x 1.00 Nylon | 47 | 996416 | Washer, Flat |
| 5 | 120382 | Washer, Splitlock | 48 | 305309 | Spacer |
| 6 | 2483 | Washer, .391x2.25Dx.07 | 49 | 1499 | Nut, 3/8-16 Centerlock |
| 7 | 309230 | Bracket, Idler | 50 | 311941 | Channel Drawbar |
| 8 | 40677 | Washer, Flat .640x1.25x.06 | 51 | 1498 | Nut, 5/16-18 Centerlock |
| 9 | 302270 | Ring, Retaining | 52 | 58247 | Adjusting Nut |
| 10 | 302272 | Idler Shaft | 53 | 122017 | Screw, 5/16-18 x 1.00 In. |
| 11 | 302270 | Ring, Retaining | 54 | 302611 | Wheel |
| 12 | 40677 | Washer, Flat .640x1.25x.06 | 55 | 23763 | Shoulder Bolt, 3/8-16 |
| 13 | 306847 | Bracket, Idler | 56 | 1499 | Nut, 3/8-16 Centerlock |
| 14 | 120638 | Washer, Splitlock, .328x.60x.11 | 57 | 304817 | Guard, Belt R.H. |
| 15 | 181596 | Screw, 5/16-24x.88 | 58 | 1502 | Nut, 1/4-20 Centerlock |
| 16 | 303030 | Pulley, Idler | 59 | 120392 | Washer, Flat |
| 17 | 122168 | Screw, 3/8-16x 1-3/4 In. | 60 | 36602 | Carriage Bolt, 1/4-20 x 5/8 In. |
| 18 | 1499 | Nut, 3/8-16 Centerlock | 61 | 304792 | Cover, Belt LH |
| 19 | 310326 | Pulley, Idler | 62 | 1502 | Nut, 1/4-20 Centerlock |
| 20 | 120377 | Nut, Hex, Ctrlk, 3/8-16 Thd. | 63 | 120392 | Washer, Flat |
| 21 | 996416 | Washer, Flat .391x1.00x.125 | 64 | 36602 | Carriage Bolt, 1/4-20 x 5/8 In. |
| 22 | 300844 | Belt Retainer | 65 | 180024 | Screw, 1/4-20 x 1.25 HHC |
| 23 | 57325 | Bolt, 3/8-16 x 2.00 Carriage | 66 | 120392 | Washer, Flat |
| 24 | 309107 | Shaft, Assy. Jack | 67 | 50520 | Spacer |
| 25 | 49562 | Bearing, Ball | 68 | 54569 | Flatwasher |
| 26 | 302142 | Pulley, Assy. | 69 | 309253 | Spring |
| 27 | 302147 | Spacer Tube | 70 | 311831 | Chute |
| 28 | 302242 | Jackshaft | 71 | 305251 | Rod, Pivot |
| 29 | 302278 | Spacer Tubing, 46" Deck | 72 | 314975 | Torsion Spring |
| 30 | 312270 | Spacer Tube 46" Deck | 73 | 302290 | Belt, V 4L |
| 31 | 39573 | Washer, Splitlock, .393x.68x.10 | 74 | 302291 | Belt, V 5L 63.70 |
| 32 | 71015 | Screw, 3/8-24 x 1 In. | 75 | 301464 | Tension Spring |
| 33 | 302644 | Rod, Lift 46" Deck Long | 76 | 315806 | Deck, Mower Assy. |
| 34 | 120238 | Nut, 1/2-13 Hex Jam | 77 | 68249 | Decal, No Step |
| 35 | 109527 | Nut, 1/2-13 Square | 78 | 68547 | Decal, Cut Hand |
| 36 | 304443 | Clevis | 79 | 56180 | Hair Pin |
| 37 | 300317 | Clevis Pin | 80 | 302963 | Rod, Draw Bar |
| 38 | 56180 | Hair Pin | | | |
| 39 | 302899 | Rod, Lift Front Short | | | |
| 40 | 120238 | Nut, 1/2-13 Jam | | | |
| 41 | 109527 | Nut, 1/2-13 Square | | | |
| 42 | 304443 | Clevis | | | |
| 43 | 300317 | Clevis Pin | | | |

TRACTOR REPAIR PARTS

46" TRACTOR MODEL NUMBER 4140G



ALL UNNUMBERED
ITEMS ARE INTERCHANGEABLE
WITH OPPOSITE SIDE

TRACTOR REPAIR PARTS

46" TRACTOR MODEL 4140G

| Key No. | Part No. | Description | Key No. | Part No. | Description |
|---------|----------|----------------------------------|---------|----------|----------------------------------|
| 1 | 312699 | Support Bracket 46" | 25 | 1498 | Nut, 5/16-18 Centerlock |
| 2 | 126211 | Bolt, 5/16-18 x 5/8 In. Carr. | 26 | 312706 | Baffle RH 46" Deck |
| 3 | 180075 | Screw, 5/16-18 x .63 In. | 27 | 180075 | Screw, 5/16-18 x 5/8 In. |
| 4 | 1498 | Nut, 5/16-18 Centerlock | 28 | 126211 | Carriage Bolt, 5/16-18 x 5/8 In. |
| 5 | 313229 | Mower Deck 46" Sus.SD | 29 | 1498 | Nut, 5/16-18 Centerlock |
| 6 | 312270 | Quill Assy. | 30 | 312702 | Bracket Chute Mount |
| 7 | 1282 | Nut, 7/16-20 Wide Fl. Lock | 31 | 180075 | Screw, 5/16-18 x 5/8 In. |
| 8 | 49562 | Bearing, Ball | 32 | 1498 | Nut, 5/16-18 Centerlock |
| 9 | 50616 | Dust Shield | 33 | 302868 | Brace, Skid |
| 10 | 56280 | Spacer | 34 | 126211 | Carriage Bolt, 5/16-18 x 5/8 In. |
| 11 | 312283 | Quill Pulley | 35 | 1498 | Nut, 5/16-18 Centerlock |
| 12 | 58128 | Spacer, LH & RH Quill | 36 | 312705 | Lift Support Bracket |
| 13 | 58162 | Casting LH | 37 | 1498 | Nut, 5/16-18 Centerlock |
| 14 | 302295 | Saddle & Shaft Assy. | 38 | 180075 | Screw, 5/16-18 x 5/8 In. |
| 15 | 50634 | Screw, 5/16-18 x .87 Taptite | 39 | 314020 | Support Bracket |
| 16 | 312708 | Bracket Gauge Wheel L.H. | 40 | 120393 | Flatwasher |
| 17 | 180075 | Screw, 5/16-18 x .63 In. | 41 | 1498 | Nut, 5/16-18 Centerlock |
| 18 | 1498 | Nut, 5/16-18 Centerlock | 42 | 180075 | Screw, 5/16-18 x 5/8 In. |
| 19 | 312700 | Bracket Gauge Wheel R.H. | 43 | 317071 | Balde, 16/13 High-Lift |
| 20 | 180075 | Screw, 5/16-18 x .63In. | 44 | 2483 | Washer, Bellville |
| 21 | 1498 | Nut, 5/16-18 Centerlock | 45 | 39573 | Screw, 3/8-24 x 1.00 Nylock |
| 22 | 312710 | Baffle 46" Deck | 46 | 1498 | Nut, 5/16-18 Centerlock |
| 23 | 180075 | Screw, 5/16-18 x .63 In. | 47 | 312701 | Clip |
| 24 | 126211 | Carriage Bolt, 5/16-18 x 5/8 In. | 48 | 180075 | Screw, 5/16-18 x 5/8 In. |

TRACTOR REPAIR PARTS

46" TRACTOR MODEL 4140G

| Key No. | Part No. | Description | Key No. | Part No. | Description |
|---------|----------|--|---------|----------|--------------------------------------|
| 1 | 57547 | Seat Switch | 28 | 120368 | Nut, Hx 5/16-24 Thd. |
| 2 | 309285 | Switch, Elec./Clutch Actuator | 29 | 138485 | Washer, Lock 5/16 In. |
| 3 | 55511 | Cable, Battery, Negative | 30 | 271172 | Nut, Hx, Keps, 1/4-20 Thd. |
| 4 | 271184 | Nut, Hx, Keps, 5/16-18 Thd. | 31 | 1502 | Nut, Hx, Ctrlk, 1/4-20 Thd. |
| 5 | 160505 | Screw, 1/4-20 x .38 | 32 | 120854 | Screw, 1/4-20 x 5/8 In. |
| 6 | 57444 | Tie Cable | 33 | 306694 | Battery |
| 7 | 300626 | Key, Ignition Switch | 34 | 302912 | Bracket, Battery Hold-Down |
| 8 | 300193 | Nut, Switch | 35 | 187745 | Screw, 1/4-20 x 3/4 In. |
| 9 | 300194 | Boot, Switch | 36 | 308347 | Screw, #6-32 x .50 |
| 10 | 305720 | Switch, Ignition | 37 | 271482 | Nut, Hx Keps 6-32 |
| 11 | 300334 | Switch, Light | 38 | 315602 | Regulator, Sen. Volt BS with Sensor |
| 12 | 57551 | Rod, Battery Hold-Down | 39 | 120622 | Nut, Hex. #8-32 Thd. |
| 13 | 305701 | Lamp Holder, Low Fuel and Oil Pressure | 40 | 304439 | Knob, Throttle Control |
| 14 | 57769 | Bulb, Indicator | 41 | 159943 | Screw #10-24 x 5/8 |
| 15 | 305702 | Lamp Holder, All Systems Go and Charge | 42 | 307362 | Throttle Control |
| 16 | 310067 | Wingnut | 43 | 308459 | Nut, Hex, Nylon Lock #8-32 x 3/8 In. |
| 17 | 314797 | Oil Sensor | 44 | 159585 | Screw, Ph, Pn, #8-32 x 3/8 In. |
| 18 | 304739 | Minature Hour Meter | 45 | 307113 | Choke Control |
| 19 | 41482 | Press Clip | 46 | 47452 | Gas Line |
| 20 | 302031 | Fuse, 15A-32V, Spade Type | 47 | 47345 | Clamp, Gas Line |
| 21 | 308201 | Boot, Rubber (Battery Cable) | | | |
| 22 | 315695 | Wire Harness | | | |
| 23 | 52572 | Bulb Headlamp | | | |
| 24 | 303064 | Assembly, Light Wire | | | |
| 25 | 57211 | Switch | | | |
| 26 | 57220 | Screw, Pn Hd, Tap #12 x 1/2 In. | | | |
| 27 | 310966 | Solenoid | | | |