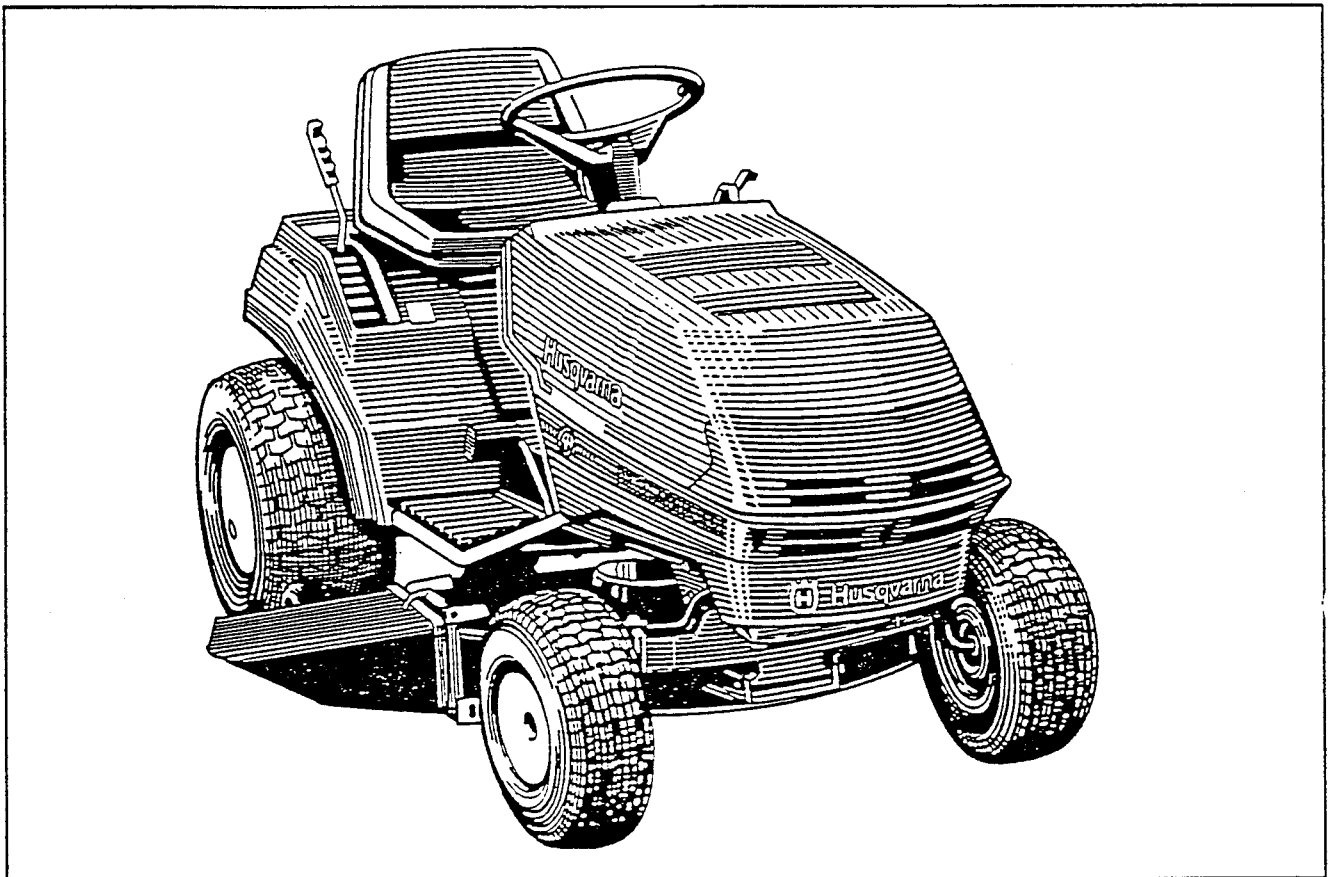


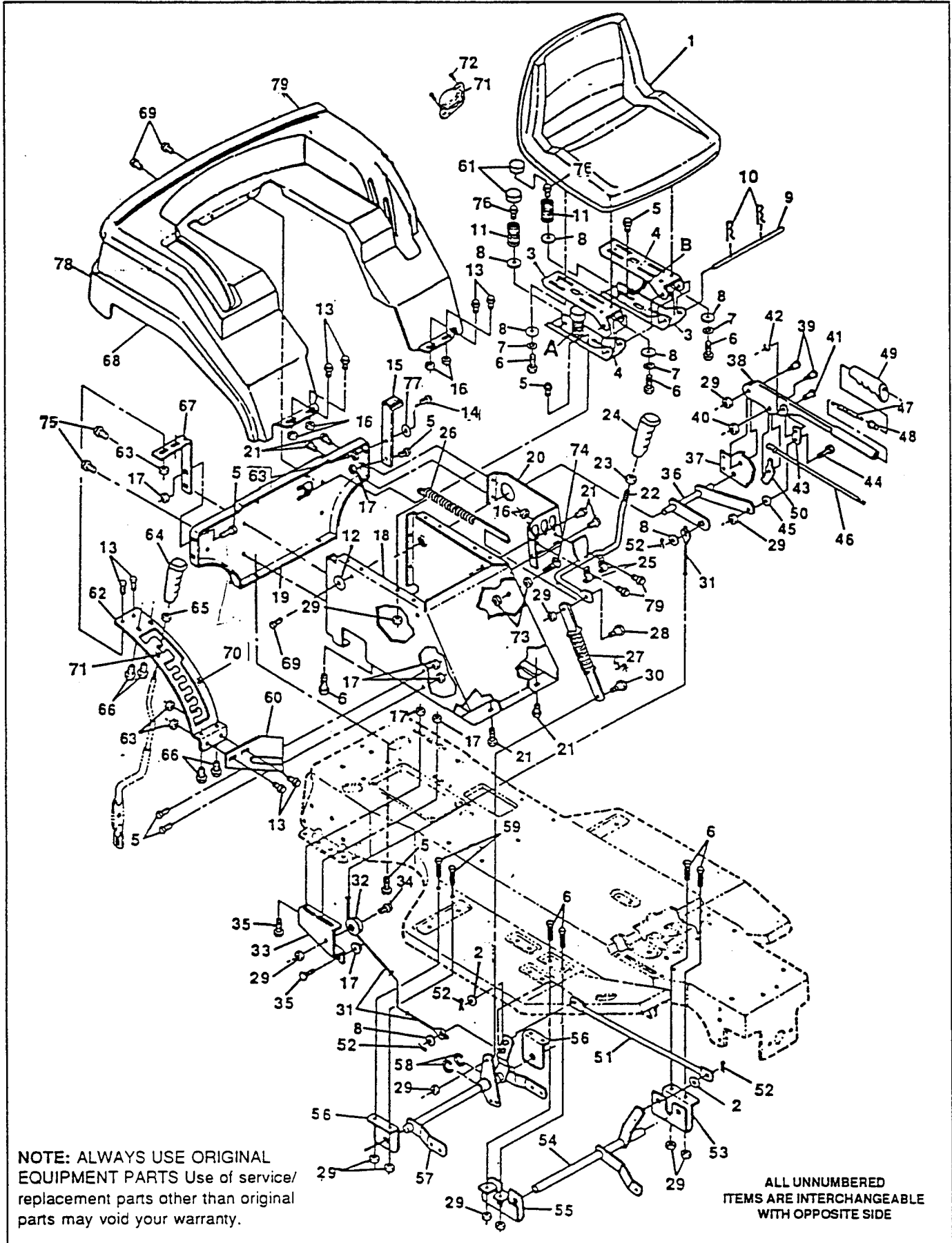
# 4125G



**1.1991**  
**Spare parts**  
**Pièces détachées**

# TRACTOR REPAIR PARTS

40" TRACTOR MODEL 4125G



**NOTE: ALWAYS USE ORIGINAL EQUIPMENT PARTS** Use of service/replacement parts other than original parts may void your warranty.

ALL UNNUMBERED ITEMS ARE INTERCHANGEABLE WITH OPPOSITE SIDE

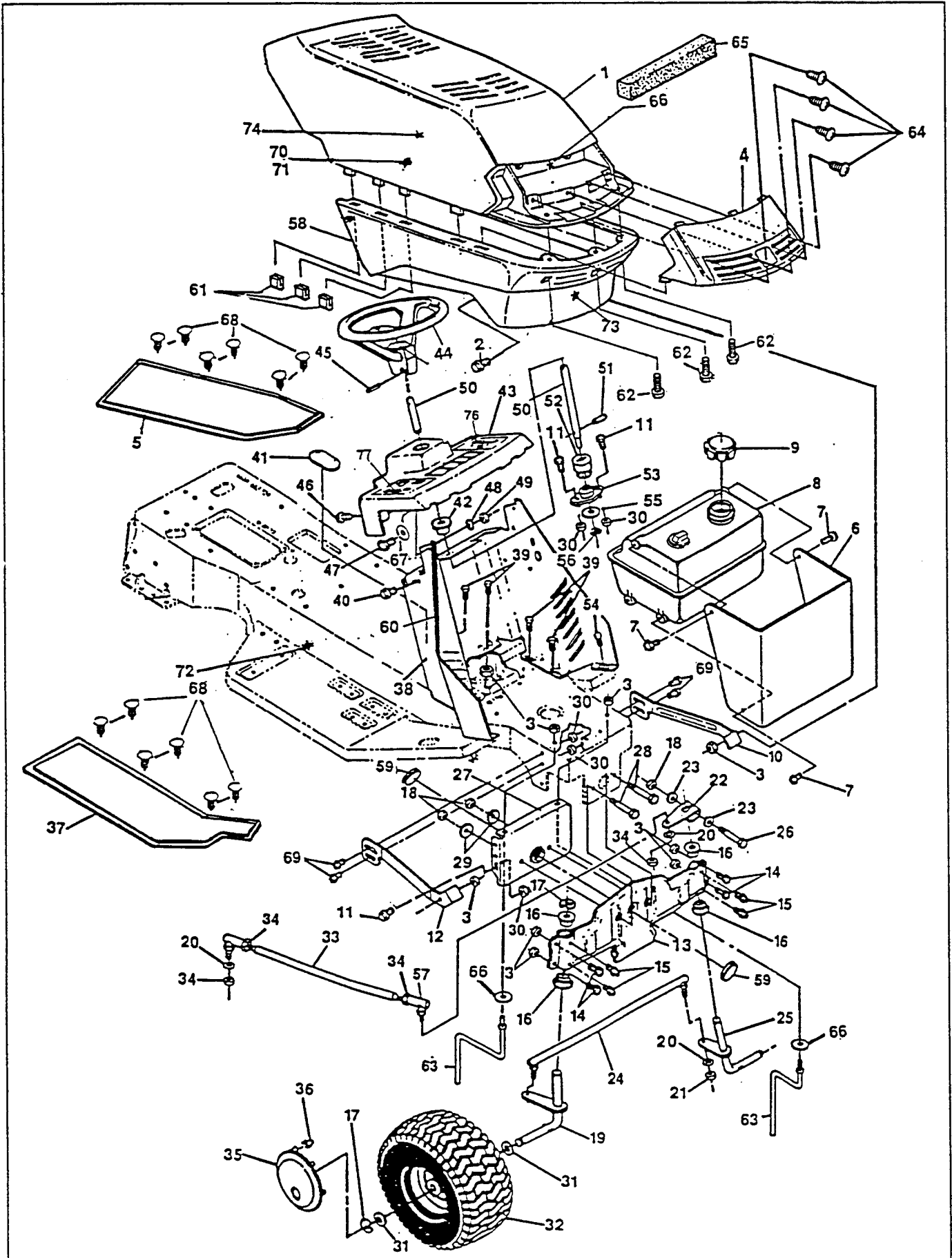
# TRACTOR REPAIR PARTS

## 40" TRACTOR MODEL 4125G

Key No.	Part No.	Description	Key No.	Part No.	Description
1	310384	Seat	45	45602	Washer
2	274517	Washer, Flat 13/32 In.	46	58330	Actuator Rod
3	305991	Channel, Seat L. H.	47	58326	Spring, Height Adjust
4	304480	Channel, Seat R. H.	48	58325	Knob, Height Adjust
5	56030	Screw, Hx Hd, Wd Fl 5/16-18 x 3/4 In.	49	304730	Handle, Lift
6	122007	Screw, Hx Hd, 5/16-18 x 3/4 In.	50	301239	Pawl, Height Adjust
7	120638	Washer, Split Lock, 5/16 In.	51	302380	Tie Rod
8	120393	Washer, Flat, 11/32 In.	52	121222	Cotter Pin
9	304481	Rod, Seat Support	53	308339	Bracket, L. H. Front Hanger
10	36368	Hair Pin, .073 Dia. x 1.13 In.	54	308345	Assembly, Front Lift Shaft
11	305520	Seat Spring	55	308340	Bracket, R. H. Front Hanger
12	1084	Washer, Flat, 9/32 In.	56	308343	Bracket, Hanger
13	180018	Screw, Hx Hd, 1/4-20 x 5/8 In.	57	308342	Assembly, Rear Lift Shaft
14	180020	Screw, 1/4-20 x .75	58	36625	E-Ring
15	306397	Fender Support, L. H.	59	180075	Screw, Hx Hd, 5/16-18 x 5/8 In.
16	1502	Nut, Lock 1/4-20 Thd.	60	306293	Support, Shift Plate
17	55273	Nut, Hx, Wd Fl, Lk 5/16-18 Thd.	61	56907	Cover, Seat Spring
18	304475	Seat Support	62	306294	Quadrant
19	304476	Support, Fender & Seat	63	51335	Nut, Hx, Wd Fl Lk, 1/4-20 Thd.
20	302208	Bracket, Support Engage	64	304728	Handle
21	35497	Screw, Hx Wshr Hd Tap, 5/16-18 x 1/2 In.	65	120377	Nut, Hx 3/8-16 Thd.
22	306391	Assembly, Engagement Rod	66	300302	Screw, Hx Hd, Tap #10 x 1/2 In.
23	120238	Nut, Hx Ctrik, 1/2-13 Thd.	67	306399	Fender Support, R. H.
24	304729	Handle, Lift	68	316329	Fender
25	302197	Clip	69	995338	Screw, Hx, Wshr Hd, Tap 1/4-20 x 5/8 In.
26	305306	Spring, Tension	70	180016	Screw, 1/4-20 x 1/2 In.
27	304448	Assembly, Spring Cartridge	71	57547	Seat Switch
28	305989	Shoulder Bolt, 7/16 In.	72	160505	Screw, 1/4-20 x .38
29	1498	Nut, Hx Ctrik, 5/16-18 Thd.	73	271190	Nut, Hex Keps, 3/8-16 Thd.
30	20507	Shoulder Bolt, 5/16-18 Thd.	74	122188	Screw, Hex, 3/8-16 x 2-1/4 In.
31	303227	Cable, Deck Lift	75	50634	Screw, Tap, 5/16-18 x 7/8 In.
32	48306	Pulley	76	451814	Screw, 5/16-18 x .63, Taptite
33	303230	Assembly, Pulley Bracket	77	120385	Washer, Flat
34	305522	Shoulder Bolt, 5/16-18 Thd.	78	316625	Decal, Shift-N-Go
35	126211	Bolt, Carriage, 5/16-18 x 5/8 In.	79	311724	Decal, Rear Fender
36	302205	Assembly, Upper Shaft	80	316768	Operator's Manual (Not Illustrated) ENGLISH
37	302383	Quadrant	81	316769	Operator's Manual (Not Illustrated) FRENCH
38	9143	Lift Lever	82	316621	Parts Manual (Not Illustrated) ENGLISH
39	300171	Shoulder Bolt, 5/16-18 Thd.			
40	44108	Nut, Hx Wd Fl Lk 5/16-18 Thd.			
41	300310	Clevis Pin			
42	300311	E-Ring			
43	302357	Link			
44	36149	Shoulder Bolt, 5/16-18 Thd.			

# TRACTOR REPAIR PARTS

40" TRACTOR MODEL 4125G



# TRACTOR REPAIR PARTS

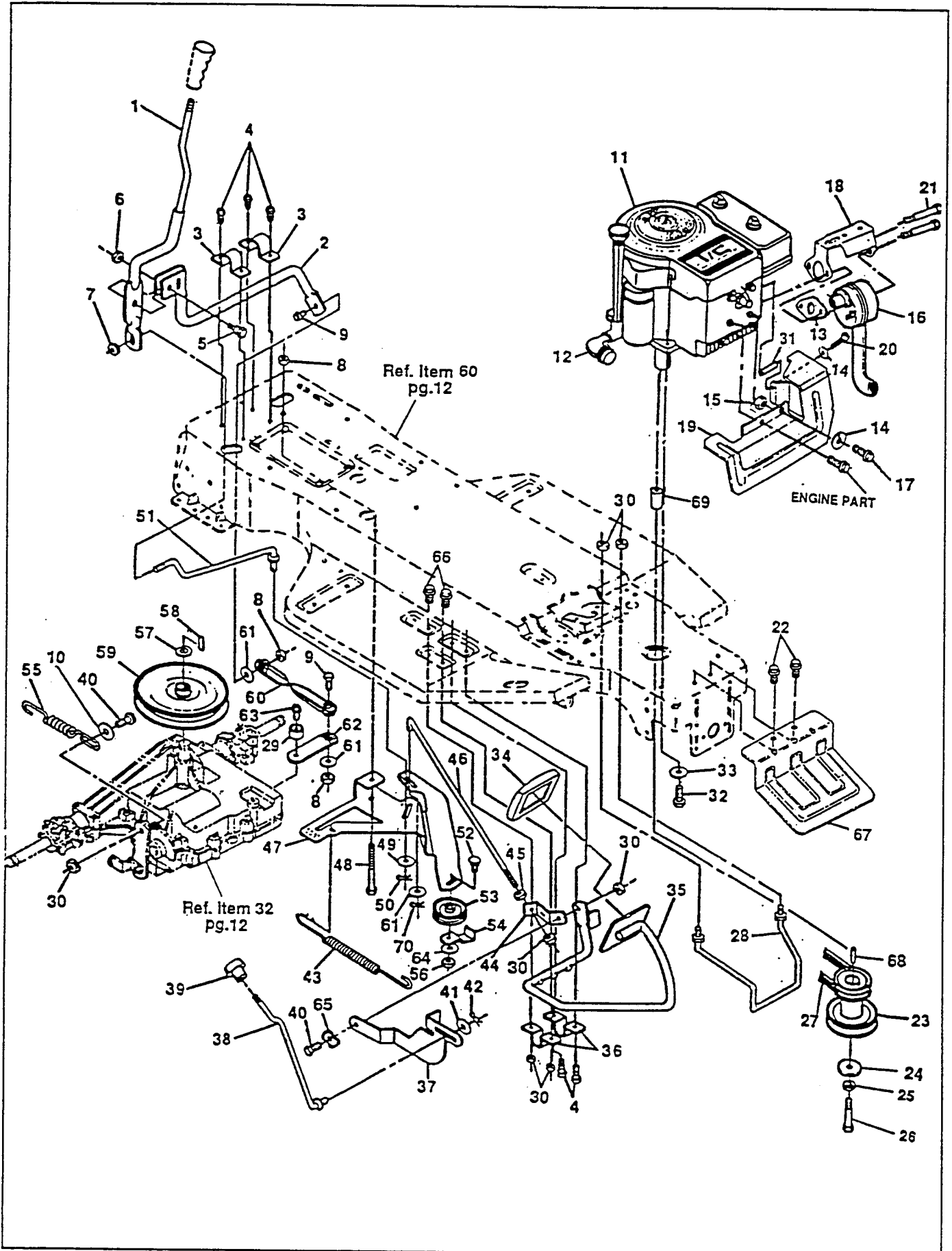
## 40" TRACTOR MODEL 4125G

Key No.	Part No.	Description	Key No.	Part No.	Description
1	310577	Hood	41	305280	Cover
2	25086	Shoulder Bolt, 5/16-18 Thd.	42	303228	Bushing, Upper Steering
3	1498	Nut, Hx, Ctrlk, 5/16-18 Thd.	43	307453	Dash, Upper
4	306858	Lens, Headlight	44	303132	Steering Wheel
5	314889	Assembly, Foot Pad L. H.	45	456378	Pin, Spring, 1/4 x 2 In.
6	307437	Heat Shield	46	305850	Screw, Tap, 1/4-20 x 1/2 In.
7	300303	Screw, Hx Hd, Plastite 1/4 Dia. x 3/4 In.	47	120854	Screw, Hx Hd, 1/4-20 x 5/8 In.
8	305820	Tank, Gas 1.5 Gal W/Sensor	48	120392	Washer, Flat, 9/32 In.
	305804	Sensor, Low Fuel	49	1502	Nut, Hx, Ctrlk, 1/4-20 Thd.
9	12501	Cap, Fuel	50	302307	Shaft, Steering
10	309461	Bracket, Hood L. H.	51	302524	Pin, Dowel
11	56030	Screw, Hx Hd, Wd Fl 5/16-18 x 3/4 In.	52	302314	Pinion, Steering
12	309460	Bracket, Hood R. H.	53	302498	Bearing, Flange
13	310670	Front Axle W/Bearings	54	50634	Screw, 5/16-18 Thd.
14	180075	Screw, Hx Hd, 5/16-18 x 5/8 In.	55	2968	Washer, Flat, 1/2 In.
15	706	Grease Fitting	56	20864	E-Ring
16	302303	Bearing, Spindle	57	57158	Ball, Joint, 3/8 Thd.
17	36625	E-Ring	58	306856	Grille
18	1499	Nut, Hx, Ctrlk, 3/8-16 Thd.	59	307112	Plug, Front Axle
19	305340	Spindle, R. H.	60	47453	Edging, Wide, 18 (dash)
20	120382	Washer, Split, Lock 3/8 In.	61	306857	Clip, Hood Trim
21	120369	Nut, Hx, 3/8-24 Thd.	62	300302	Screw, #10 x 1/2 In.
22	317019	Steering Arm, Upper	63	300440	Belt Guide
23	996416	Washer, Flat, 25/64 In.	64	312085	Screw, #4-24 x 1/2
24	300328	Assembly, Tie Rod	65	308115	Foam, Hood Baffle
25	305339	Spindle, L.H.	66	138538	Washer, Internal Tooth
26	180134	Screw, Hx Hd, 3/8-16 x 2-1/2 In.	67	120396	Washer, Flat
27	306103	Support Bracket, Front Axle	68	310087	Ratchet Fastener
28	122207	Screw, Hx Hd, 3/8-16 x 3 In.	69	53652	Screw, Hex, 5/16-18 x 3/4 In.
29	2483	Washer, Spring	70	316634	Decal, Stripe RH
30	55273	Nut, Hx, Wd Fl Lk 5/16-18 Thd.	71	316635	Decal, Stripe LH
31	642	Washer, Flat, 3/4 In.	72	311730	Decal, 4 Wheel Steer LH & RH
32	*	Wheel & Tire Assembly, Front	73	311729	Decal, Gunsight Clear Back
	301140	Tire, Front	74	311724	Decal, Hood
	312739	Wheel	75	311728	Decal, Gunsight Center, Steering Wheel
	24167	Valve Stem	76	316988	Decal, Dash L. H.
	314416	Bearing	77	315999	Decal, Dash R. H.
33	302908	Drag Link Assembly			
34	124925	Nut, Hx, Jam, 3/8-24 Thd.			
35	306569	Hubcap, Front			
36	306669	Clip, Hubcap			
37	314888	Assembly, Foot Pad R. H.			
38	304702	Dash, Lower			
39	45263	Screw, Tap, 5/16-18 x 3/8 In.			
40	995346	Screw, Self-Tap, 1/4-20 x 1/2 In.			

\*Order Parts Individually

# TRACTOR REPAIR PARTS

40" TRACTOR MODEL 4125G



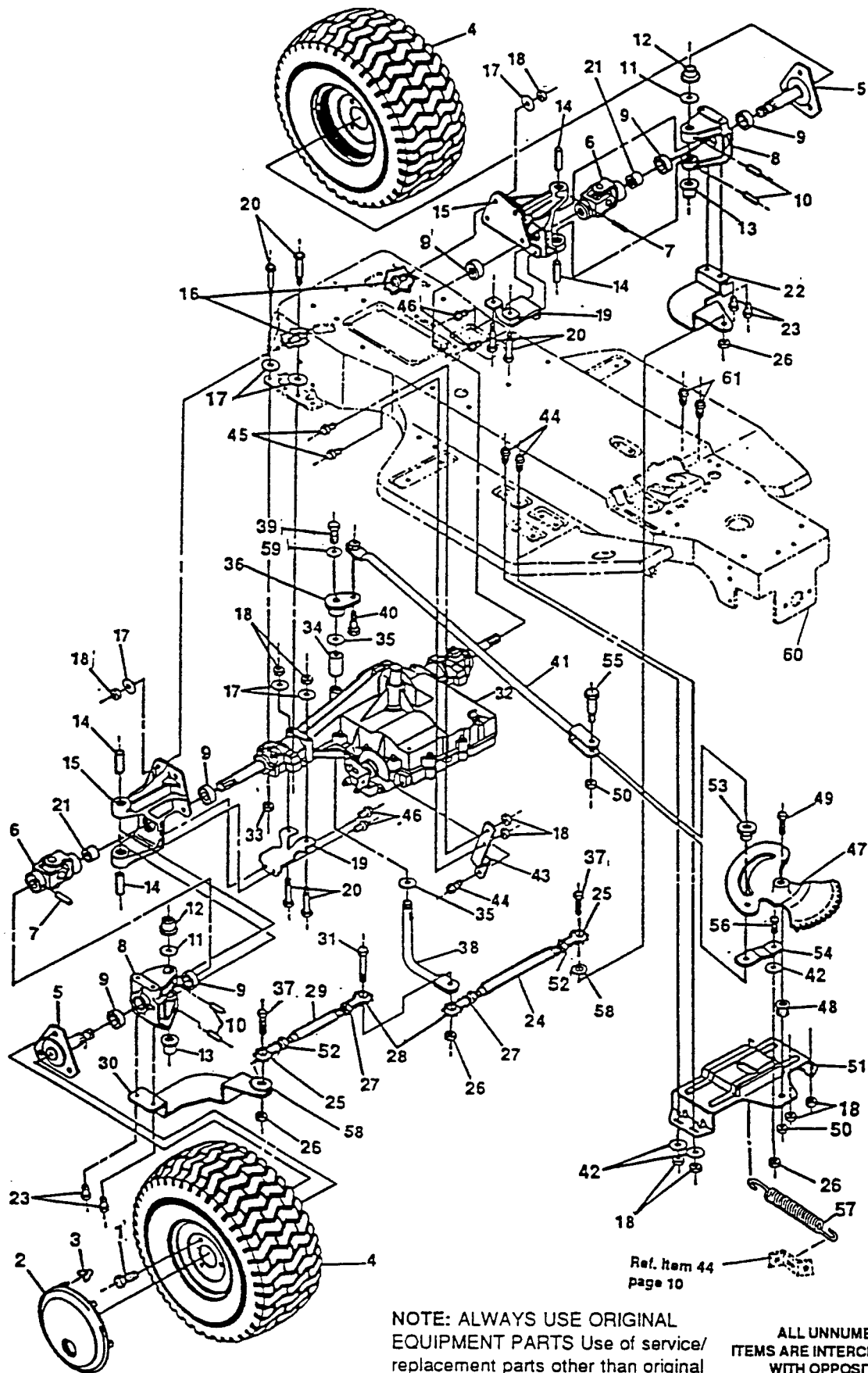
# TRACTOR REPAIR PARTS

## 40" TRACTOR MODEL 4125G

Key No.	Part No.	Description	Key No.	Part No.	Description
1	304406	Tube Assembly, Shift Pivot	38	304217	Rod, Parking Brake
2	304024	Tube Assembly, Shift	39	304367	Knob, Parking Brake
3	302538	Clip, Shift Lever	40	25086	Shoulder Bolt, 5/16-18 Thd.
4	35497	Screw, Hx Hd, Wshr Tap, 5/16-18 x 1/2 In.	41	120385	Washer, 9/16 In.
5	304086	Shoulder Bolt	42	121223	Cotter Pin
6	1502	Nut, Hx, Ctrlk, 1/4-20 Thd.	43	304209	Spring, Clutch
7	71046	Nut, Hx, Nylon, Lock 3/8-16 Thd.	44	304125	Bracket, Brake Rod
8	1499	Nut, Hx, Ctrlk, 3/8-16 Thd.	45	271184	Nut, Hx, Keps, 5/16-18 Thd.
9	122145	Screw, 3/8-16 x 1-1/4 In.	46	304212	Rod, Clutch
10	308188	Washer	47	304049	Arm, Idler
11		Engine 12.5 Horsepower B&S	48	51189	Shoulder Bolt, 3/8-16 Thd.
12	111316	Elbow, 90°, 3/8 In.	49	274517	Washer, Flat, 13/32 In.
13	46708	Gasket, Muffler	50	36368	Hairpin
14	120380	Washer, Split Lock	51	304083	Rod, Shift-On-The-Go
15	120376	Nut, Hex 5/16-18 Thd.	52	57325	Carriage Bolt, 3/8-16 x 2 In.
16	310284	Muffler, Round 5" Diameter	53	40223	Idler Sheave, Backside
17	300314	Screw, Wa Tap, 1/4-20 x 7/8 In.	54	304105	Belt Retainer
18	305409	Shield, Muffler	55	304130	Spring, Brake
19	310340	Heat Shield, Engine	56	45171	Nut, Flange, 3/8-16 Thd,
20	189293	Screw, Hex Hd, 1/4-20 x 3-1/2 In.	57	22053	Retaining Ring
21	305407	Bolt, Shoulder, 5/16-18 x 4-1/3 In.	58	3021	Key, Woodruff, #606
22	35497	Screw, Wa Tap, 5/16-18 x 1/2 In.	59	303109	Pulley
23	313546	Pulley, Engine	60	309546	Shift Link
24	56431	Washer, Pilot	61	120394	Washer, Flat, 13/32 In.
25	120383	Washer, Split, Lock 7/8 In.	62	302582	Shift Lever, Transaxle
26	428644	Screw, Hx Hd, 7/16-20 X 5 In.	63	56255	Screw, Hx Hd, 1/4-28 X 3/4 In.
27	303241	V-Belt, 90 In. Long	64	274517	Washer, Flat, 13/32 In.
28	310162	Belt Guide	65	30289	Washer, Wave
29	57157	Washer, Special	66	180075	Screw, 5/16-18 x 5/8 In.
30	1498	Nut, Hex, Ctrlk, 5/16-18 Thd.	67	311530	Deflector, Exhaust
31	310292	Spacer, Heat Shield	68	57791	Key, Square 1/4
32	50947	Screw, Hex Hd Tap, 3/8-16 x 1-1/4 In.	69	304246	Spacer, Engine Pulley
33	138489	Washer, 3/8 In.	70	121222	Pin, Cotter
34	304490	Pad, Clutch/Brake, Molded			
35	306083	Assembly, Clutch/Brake Arm			
36	313271	Bracket, Clutch/Brake Arm			
37	304208	Lever, Park Brake			

# TRACTOR REPAIR PARTS

40" TRACTOR MODEL 4125G



NOTE: ALWAYS USE ORIGINAL EQUIPMENT PARTS Use of service/ replacement parts other than original parts may void your warranty.

ALL UNNUMBERED ITEMS ARE INTERCHANGEABLE WITH OPPOSITE SIDE



# TRACTOR REPAIR PARTS

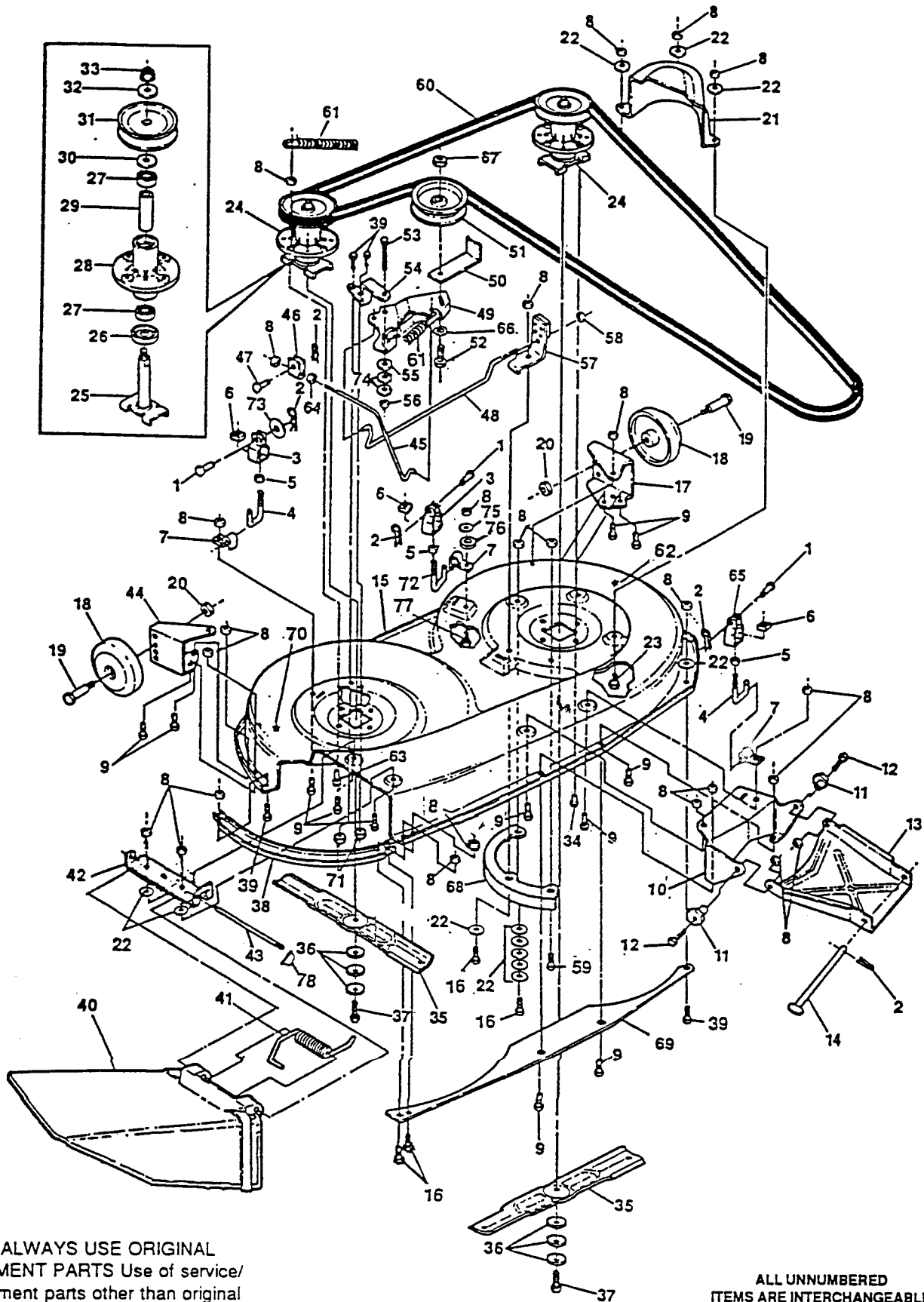
## 40" TRACTOR MODEL 4125G

Key No.	Part No.	Description	Key No.	Part No.	Description
1	123418	Screw, Hx Hd, 1/2-20 x 1/2 In.	31	181646	Screw, Hx Hd, 3/8-24 x 1-3/4 In.
2	306570	Hubcap, 8 In.	32	Transaxle	Contact nearest dealer
3	306669	Clip, Hubcap	33	44108	Nut, Hx, Wd Fl, Lk 5/16-18 Thd.
4	.	Wheel & Tire Assembly, Rear	34	304115	Spacer
	58276	Tire, 20x10.0x8, Turf	35	25177	Washer, Flat, 49/64 In.
	12467	Wheel	36	308719	Steering Pivot
	24167	Valve Stem	37	181639	Screw, 3/8-24 x 1-1/4 In.
5	315480	Hub Assembly	38	308720	Shaft, Steering Pivot
6	12290	U-Joint Assembly	39	421051	Screw, 5/16-24 x 1 In.
7	36311	Pin, Grooved, 1/4 x 1-1/2 In.	40	12319	Bolt, Shoulder, 3/8-24 Thd.
8	12465	Bracket Assembly, Steering Pivot, Outer	41	302593	Rod Assembly, Rear Wheel Steer
9	12325	Bearing	42	446363	Washer, Flat, 3/8 In.
10	456722	Pin, Spring, 1/4 x 1-1/2 In.	43	304127	Bracket, Transaxle Stabilizer
11	21682	Washer, Flat	44	35498	Screw, Hx Hd, Self-Tap, 5/16-18 x 3/4 In.
12	12288	Bushing, Shouldered	45	180075	Screw, Hx Hd, 5/16-18 x 5/8 In.
13	12321	Bushing, Shouldered	46	451814	Screw, Hx Hd, Self-Tap, 5/16-18 x 5/8 In.
14	12289	Pin, Steering Hinge	47	302877	Assembly, Sector Gear
15	12485	Bracket Assembly, Steering Pivot, Inner	48	302878	Bushing, Sector Gear
16	122017	Screw, Hx Hd, 5/16-18 x 1 In.	49	304296	Screw, Hx Hd, 1/2-20 x 2-3/8 In.
17	120393	Washer, Flat, 11/32 In.	50	274654	Nut, Hx, Ctrlk, 1/2-20 Thd.
18	1498	Nut, Hx, Ctrlk 5/16-18 Thd.	51	308341	Plate, 4-Wheel Steer Pivot
19	306001	Bracket, Transaxle Mounting	52	308399	Nut, Jam, 3/8-24 Thd.
20	180089	Screw, Hx Hd, 5/16-18 x 2-1/4 In.	53	304116	Cam Yoke Roller
21	304123	Spacer	54	302594	Arm, Roller Swing
22	306218	Arm, Rear Wheel Steer, L. H.	55	304122	Shoulder Bolt, Cam Roller
23	39728	Screw, Self-Tap, 3/8-16 x 3/4 In.	56	302588	Shoulder Bolt, Cam Follower Arm Pivot
24	308446	Tie Rod, L.H. (1/2"x9-1/2")	57	35410	Spring, Clutch/Brake Pedal Return
25	308384	Tie Rod End, L.H.	58	120382	Washer, Split Lock
26	412349	Nut, Hex, Ctrlk, 3/8-24 Thd.	59	45602	Washer, Flat
27	124925	Nut, Hex, Jam, 3/8-24 Thd.	60	315823	Main Frame
28	304260	Tie Rod End, R.H.	61	35497	Screw, 5/16-18 x 1/2 In. Taptite
29	308447	Tie Rod, 1/2 x 8" Long			
30	306217	Arm, Rear Wheel Steer, R. H.			

\*Order Parts Individually

# TRACTOR REPAIR PARTS

40" TRACTOR MODEL 4125G



NOTE: ALWAYS USE ORIGINAL EQUIPMENT PARTS Use of service/ replacement parts other than original parts may void your warranty.

ALL UNNUMBERED ITEMS ARE INTERCHANGEABLE WITH OPPOSITE SIDE

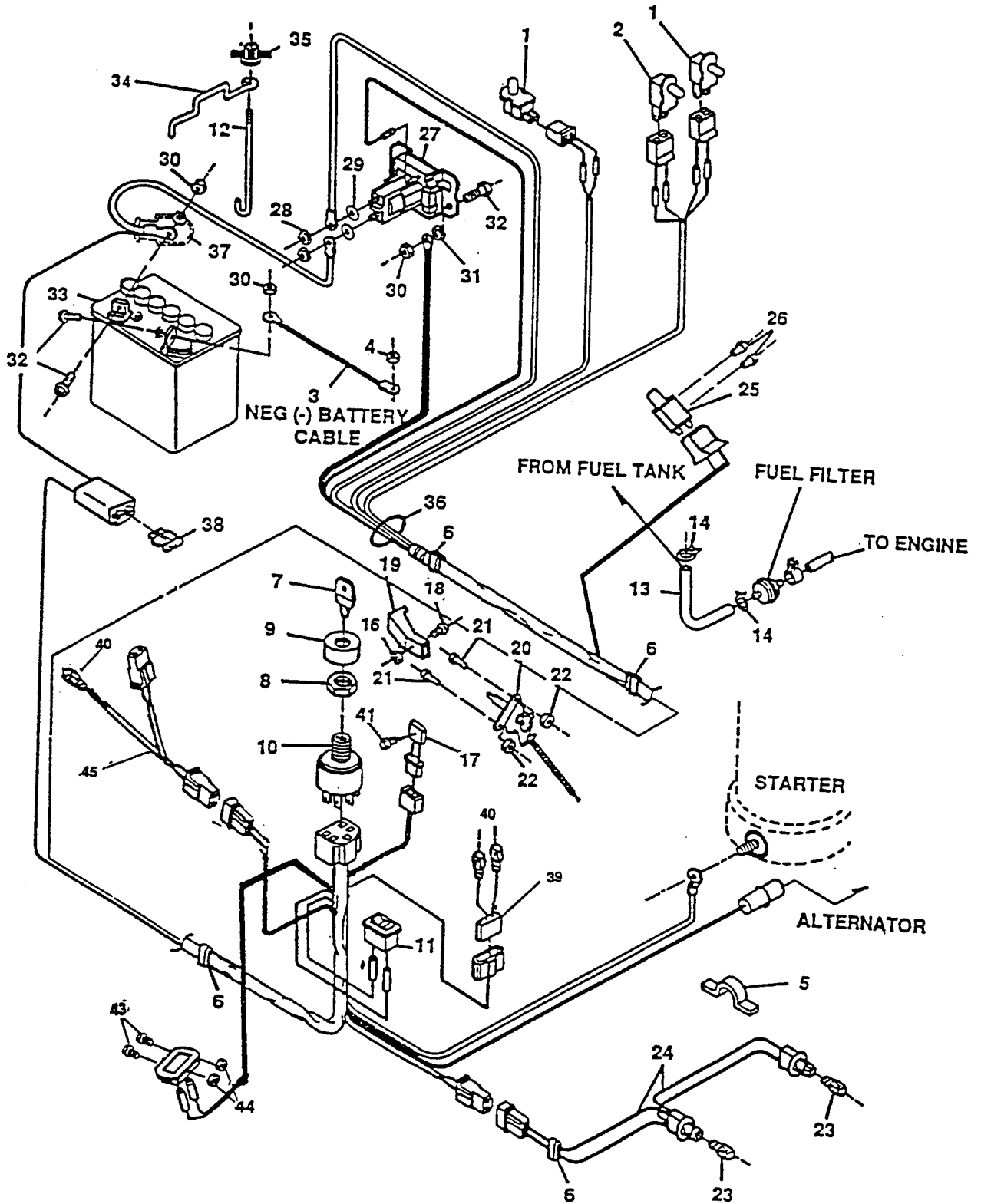
# TRACTOR REPAIR PARTS

## 40" TRACTOR MODEL 4125G

Key No.	Part No.	Description	Key No.	Part No.	Description
1	300317	Pin, Clevis	42	302364	Bracket, Chute Mount
2	56180	Hairpin, Cotter	43	304424	Rod, Chute
3	305283	Clevis	44	317018	Wheel Bracket, R. H.
4	309615	Lift Rod	45	303072	Clutch Rod
5	120238	Nut, Hx Jam 1/2-13 Thd.	46	305284	Clevis, Clutch
6	109527	Nut, Sq. 1/2-13 Thd.	47	49332	Pin, Clevis
7	302197	Clip	48	302714	Rod, Brake
8	1498	Nut, Hx, Lock 5/16-18 Thd.	49	304414	Idler Assembly
9	180075	Screw, Hx Hd, 5/16-18 x 1 In.			Includes the following parts:
10	309316	Bracket, Front		305298	Idler Arm
11	58247	Nut, Adjusting		306973	Brake Pad
12	122017	Screw, Hx Hd. 5/16-18 x 1 In.		41601	Rivet
13	311942	Channel, Draw Bar	50	300844	Belt Retainer
14	302963	Rod, Drawbar	51	310326	Idler Pulley
15	315788	Mower Deck	52	57325	Carriage Bolt, 3/8-16 x 2 In.
16	122007	Screw, Hx, 5/16-18 x 3/4 In.	53	304420	Shoulder Bolt, 3/8-16 x 3/4 In.
17	317041	Wheel Bracket, L. H.	54	312273	Idler Brace
18	302611	Wheel	55	996307	Washer, Flat
19	23763	Shoulder Bolt, 3/8-16 Thd.	56	45171	Nut, Hx, Wd Fl, 3/8-16 Thd.
20	1499	Nut, Hex, Ctrk, 3/8-16 Thd.	57	304118	Blade/Brake Assembly
21	302833	Belt Cover, Left Pulley	58	1502	Nut, Hx, Ctrk, 1/4-20 Thd.
22	120393	Flatwasher, 11/32 In.	59	122027	Screw, Hx, 5/16-18 x 1-1/4 In.
23	180075	Screw, Hx Hd, 5/16-18 x 5/8 In.	60	48044	Belt, 82 In. Long
24	317705	Quill Assembly (Incl. Nos. 25-33)	61	35410	Spring
25	56425	Saddle & Shaft Assembly	62	68249	Decal, No Step
26	50616	Dust Shield	63	300345	Screw, Tap, 5/16-18 x 1-3/8 In.
27	1255	Bearing	64	120376	Nut, Hx, 5/16-18 Thd.
28	50702	Quill Housing	65	304443	Clevis
29	50818	Spacer Tube	66	120382	Washer, Split, Lock 3/8 In.
30	51449	Spacer	67	120377	Nut, Hx, 3/8-16 Thd.
31	313898	Pulley	68	306477	Baffle, Deck
32	56365	Washer	69	306478	Baffle, Deck Front
33	1282	Nut, Wd Fl, Lk 7/16-20 Thd.	70	68547	Decal, Danger
34	50634	Screw, Wshr Hd, 5/16-18 x 7/8"	71	44108	Nut, 5/16-18 Thd.
35	309070	Blade	72	312302	Lift Rod
36	2483	Washer, Spring	73	274517	Washer, Flat
37	39573	Screw, Hx Hd, 3/8-24 x 1 In.	74	996416	Washer, Flat
38	304102	Toe Guard	75	35214	Washer, Flat
39	180077	Screw, Hx Hd, 5/16-18 x 3/4 In.	76	50520	Spacer
40	304422	Chute Deflector	77	180079	Screw, 5/16-18 x 1 In.
41	305124	Spring	78	3535	Push Nut

# TRACTOR REPAIR PARTS

40" TRACTOR MODEL 4125G



**NOTE: ALWAYS USE ORIGINAL EQUIPMENT PARTS** Use of service/ replacement parts other than original parts may void your warranty.

**ALL UNNUMBERED ITEMS ARE INTERCHANGEABLE WITH OPPOSITE SIDE**

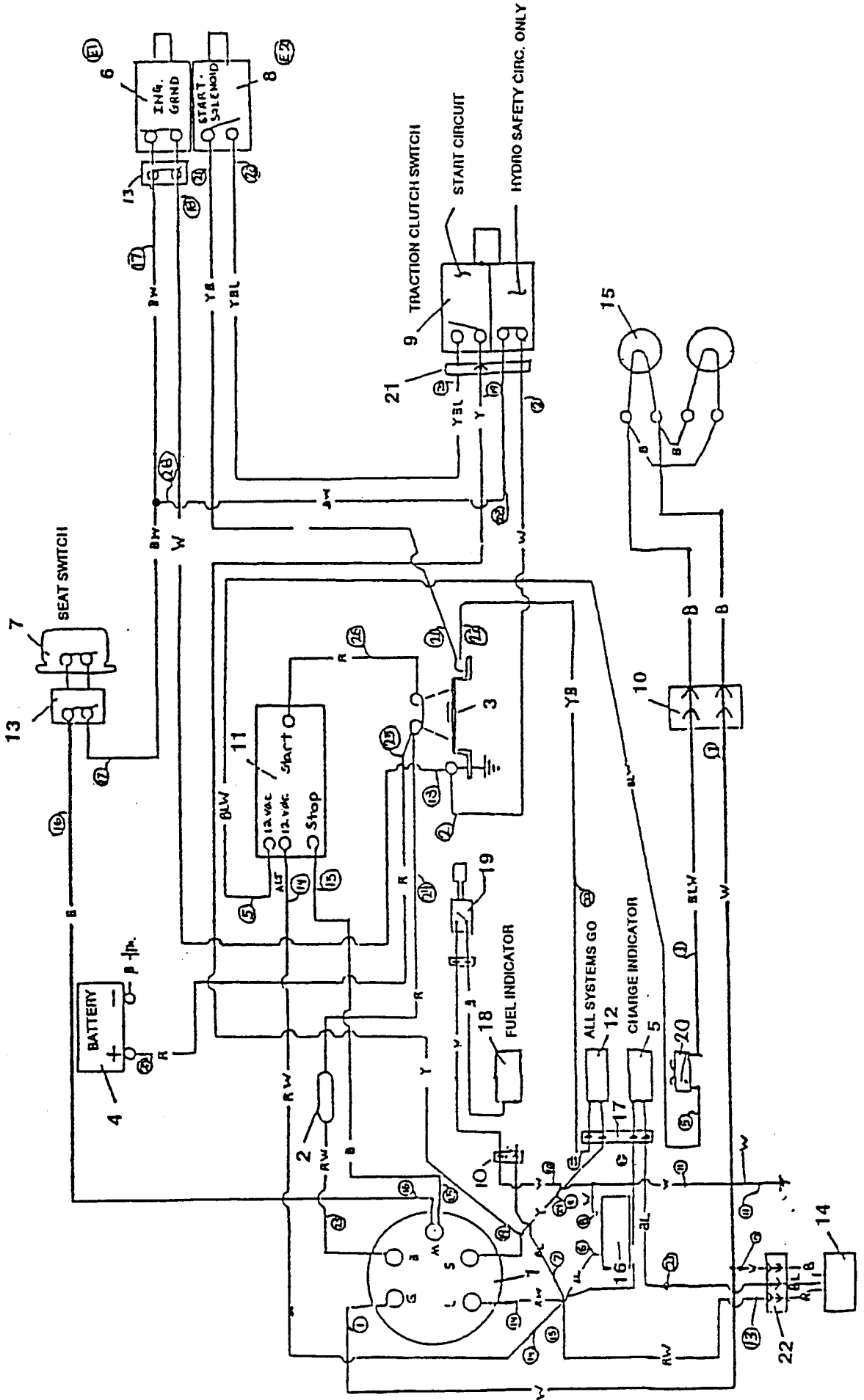
# TRACTOR REPAIR PARTS

## 40" TRACTOR MODEL 4125G

Key No.	Part No.	Description
1	308187	Seat Switch
2	12553	Deck Safety Switch
3	55511	Ground Wire
4	271184	Nut, Hx, Keps, 5/16-18 Thd.
5	41482	Press Clip
6	57444	Tie Cable
7	300626	Key, Ignition Switch
8	300193	Nut, Switch
9	300194	Boot, Switch
10	305720	Switch, Ignition
11	300334	Switch, Light
12	57551	Rod, Battery Hold-Down
13	47452	Gas Line, 13-1/2" (cut to length)
14	47345	Clamp, Gas Line
15	120854	Screw, 1/4-20 x 5/8 In. .
16	120622	Nut, Hex, #8-32 Thd.
17	307056	Low Voltage Sensor
18	159585	Screw, Ph Pn, #8-32 x 3/8 In.
19	304439	Knob, Throttle Control
20	315716	Throttle Control
21	159943	Screw, #10-24 X 5/8 In.
22	308459	Nut, Hx, Nylon Lock, #10-24 Thd.
23	52572	Bulb Headlamp
24	303064	Assembly, Light Wire
25	57211	Switch
26	57220	Screw, Pn Hd, Tap #12 x 1/2 In.

Key No.	Part No.	Description
27	53716	Solenoid
28	120368	Nut, Hx 5/16-24 Thd.
29	138485	Washer, Lock 5/16 In.
30	271172	Nut, Hx, Keps, 1/4-20 Thd.
31	1502	Nut, Hx, Ctrk, 1/4-20 Thd.
32	187745	Screw, 1/4-20 X 3/4 In.
33	302257	Battery
34	302912	Bracket, Battery Hold-Down
35	310067	Wingnut
36	315691	Wiring Harness
37	308201	Boot, Rubber (Battery Cable)
38	302031	Fuse, 15A-32V
39	305702	Lamp Holder, 4-Pin (If so equipped)
40	57769	Bulb Indicator
41	300302	Screw, #10 -1/2 Taptite
42	304739	Hour Meter
43	308347	Screw, #6-32 x 1/2 In.
44	271482	Nut, #6-32 Keps
45	305778	Low Fuel Wire

# FOR MODELS 4125H & 4125G



UNITS WITH  
DASH WARNING LIGHTS  
AND SEAT SWITCH

Clutch Switch is normally open on Starter Circuit  
nc on Hydro. Interlock  
Seat Switch in normally closed.

Deck Switch for Ignition Ground is normally closed.  
Deck Switch for Solenoid is normally open.

	G	M	B	L	S
OFF					
ON					
START					

W= WHITE  
R= RED  
B= BLACK  
Y= YELLOW  
G= GREEN  
BW= BLACK/WHITE  
BL= BLUE  
RW= RED/WHITE  
GW= GREEN/WHITE  
WB= WHITE/BLACK  
YB= YELLOW/BLACK  
WBL= WHITE/BLUE  
YBL= YELLOW/BLUE  
BLW= BLUE/WHITE  
BR= BLACK/RED

- 1 IGNITION SWITCH
- 2 FUSE,15A
- 3 SOLENOID
- 4 BATTERY
- 5 ALTERNATOR LIGHT
- 6 DECK SWITCH (ign. grd, SAFETY CIRC.)
- 7 SEAT SWITCH (SAFETY CIRCUIT)
- 8 DECK SWITCH (START CIRCUIT)
- 9 CLUTCH SWITCH
- 10 PLUG-2 SOCKET
- 11 ENGINE
- 12 WARNING LIGHT, CLUTCH & MOWER
- 13 \*PLUG, SEAT SWITCH & DECK SWITCH
- 14 \*\*VOLTAGE DETECTOR
- 15 HEADLIGHTS
- 16 \*\*HOUR METER
- 17 PLUG-4 PIN LAMP HOLDER
- 18 \*\*WARNING LIGHT-FUEL LOW
- 19 \*\*LOW FUEL SWITCH
- 20 HEAD LIGHT SWITCH
- 21 PLUG-CLUTCH SWITCH
- 22 PLUG-3 PIN (VOLTAGE DETECTOR)

\*SWITCH PLUG CLOSSES CIRCUIT  
WHEN SWITCH IS UNPLUGGED  
\*\*IF SO EQUIPPED

