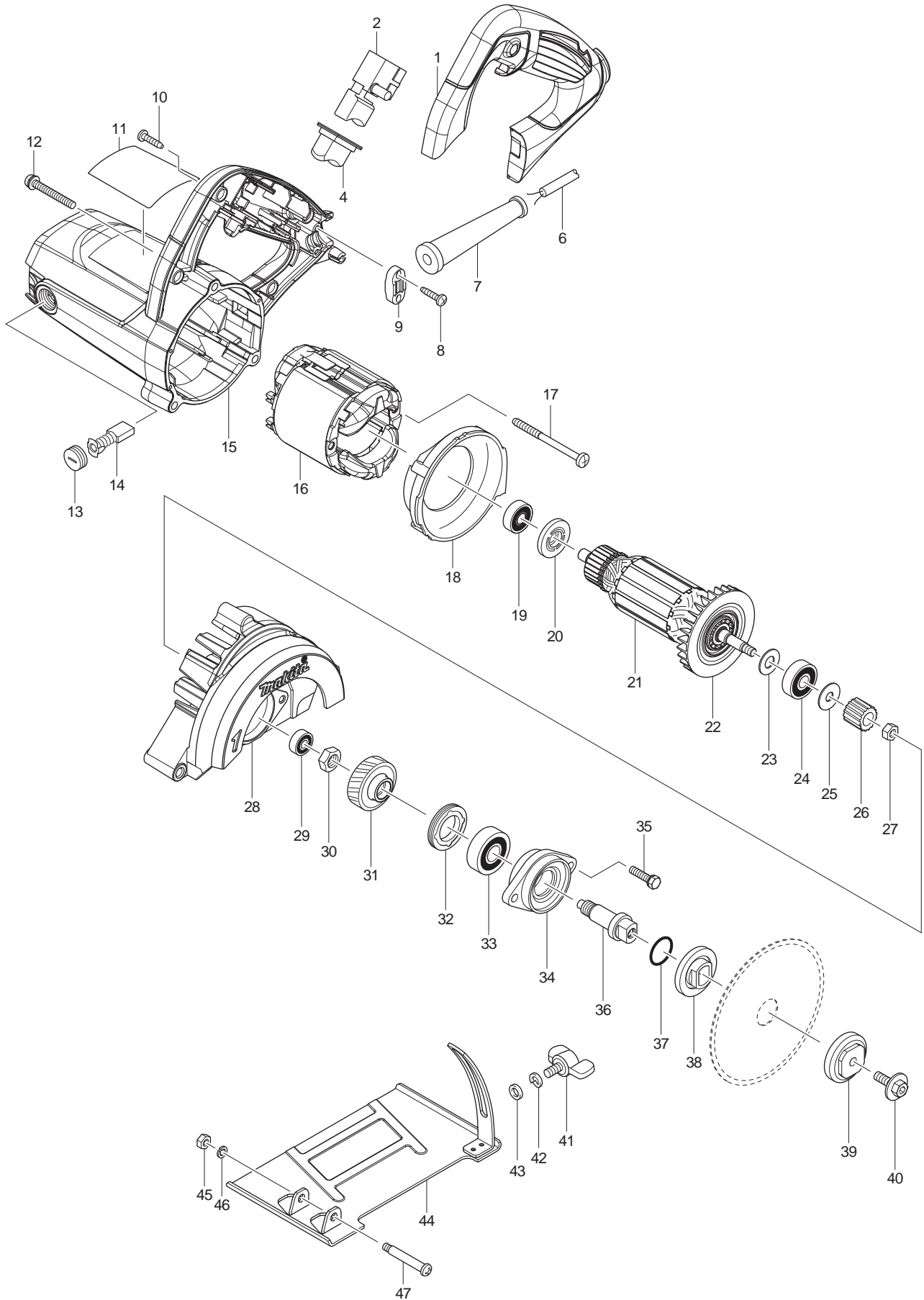




12 - 2014
4100NH3ZX
4-3/8" MASONRY SAW



Item No.	Type	Sub	Part No.	Description	Qty	Unit
1			454557-7	HANDLE COVER	1	PC.
2			650250-3	SWITCH FA1-6/1D-3	1	PC.
4			424585-6	DUST COVER	1	PC.
6			664891-9	CORD W/PLUG 2P-18-2.5M, SJ	1	PC.
7			682503-2	CORD GUARD 8-90	1	PC.
8			266326-2	TAPPING SCREW 4X18	2	PC.
9			687123-7	STRAIN RELIEF	1	PC.
10			266326-2	TAPPING SCREW 4X18	4	PC.
11			814L09-6	NAME PLATE F/ 4100NH3	1	PC.
12			265104-7	PAN HEAD SCREW M5X40	3	PC.
13			643750-0	BRUSH HOLDER CAP 7-11	2	PC.
14			194996-6	CARBON BRUSH CB-303 2PC/SET W/ORIGIN	1	SET
15			143193-1	MOTOR HOUSING COMPLETE	1	PC.
		INC.	643708-9	BRUSH HOLDER 5-11	2	PC.
		INC.	806G59-5	CAUTION LABEL	1	PC.
16			594611-6	FIELD ASS'Y 115V	1	PC.
		INC.	654020-2	RING TERMINAL	2	PC.
		INC.	654501-6	CONNECTOR P-1.25	2	PC.
17			266352-1	TAPPING SCREW 5X65	2	PC.
18			417810-2	BAFFLE PLATE	1	PC.
19			211395-8	BALL BEARING 608LLU	1	PC.
20			681644-1	INSULATION WASHER	1	PC.
21			513866-4	ARMATURE ASS'Y 115V	1	PC.
		INC.		Item No. 19,20,22-24		
22			240053-9	FAN 65	1	PC.
23			267237-4	FLAT WASHER 9	1	PC.
24			211092-6	BALL BEARING 629DDW	1	PC.
25			267239-0	FLAT WASHER 7	1	PC.
26			226552-5	HELICAL GEAR 15	1	PC.
27			252186-8	HEX. NUT M6	1	PC.
28			142143-3	BLADE CASE COMPLETE	1	PC.
		INC.	213445-5	O-RING 26	1	PC.
29			210028-2	BALL BEARING 606ZZ	1	PC.
30			252170-3	HEX. NUT M10-17	1	PC.
31			227767-7	HELICAL GEAR 34	1	PC.
32			285840-9	BEARING RETAINER 19-33	1	PC.
33			211129-9	BALL BEARING 6201DDW	1	PC.
34			317550-1	BEARING BOX	1	PC.
35			265497-2	+ HEX. BOLT M5X20	2	PC.
36			324221-3	SPINDLE	1	PC.
37			213279-6	O RING 18	1	PC.
38			224080-4	INNER FLANGE 36	1	PC.
39			224081-2	OUTER FLANGE 36	1	PC.
40			266510-9	HEX. SOCKET HEX. BOLT M6X18	1	PC.
41			265754-8	THUMB SCREW M6X12	1	PC.
42			942151-2	SPRING WASHER 6	1	PC.
43			941151-9	FLAT WASHER 6	1	PC.
44			165711-5	BASE	1	PC.
45			252137-1	HEX. NUT M5-8	1	PC.
46			942101-7	SPRING WASHER 5	1	PC.
47			265056-2	+ PAN HEAD SCREW M5	1	PC.
C01B			877603-3	CARTON F/4100NH3ZX	1	PC.
D02			654037-5	INSULATED TERM. FT1.25-M3	2	PC.
D03			654509-0	CONNECTOR 2-SD	1	PC.
D05			652040-0	+ PAN HEAD SCREW M3.5X6	2	PC.
E01			424635-7	SPONGE	1	PC.

Item No.	Type	Sub	Part No.	Description	Qty	Unit
ACCESSORIES			- See Catalogue or visit www.makita.ca for more accessories -			
A01			781041-2	WRENCH 22	1	PC.
A02			783217-7	HEX. WRENCH 5	1	PC.
A03			A-94546	4" TURBO RIM DIAMOND WHEEL, WET/DRY	1	PC.
	Opt		D-36968	4-3/8" CURVED DIAMOND WHEEL 20MM, DRY	1	PC.