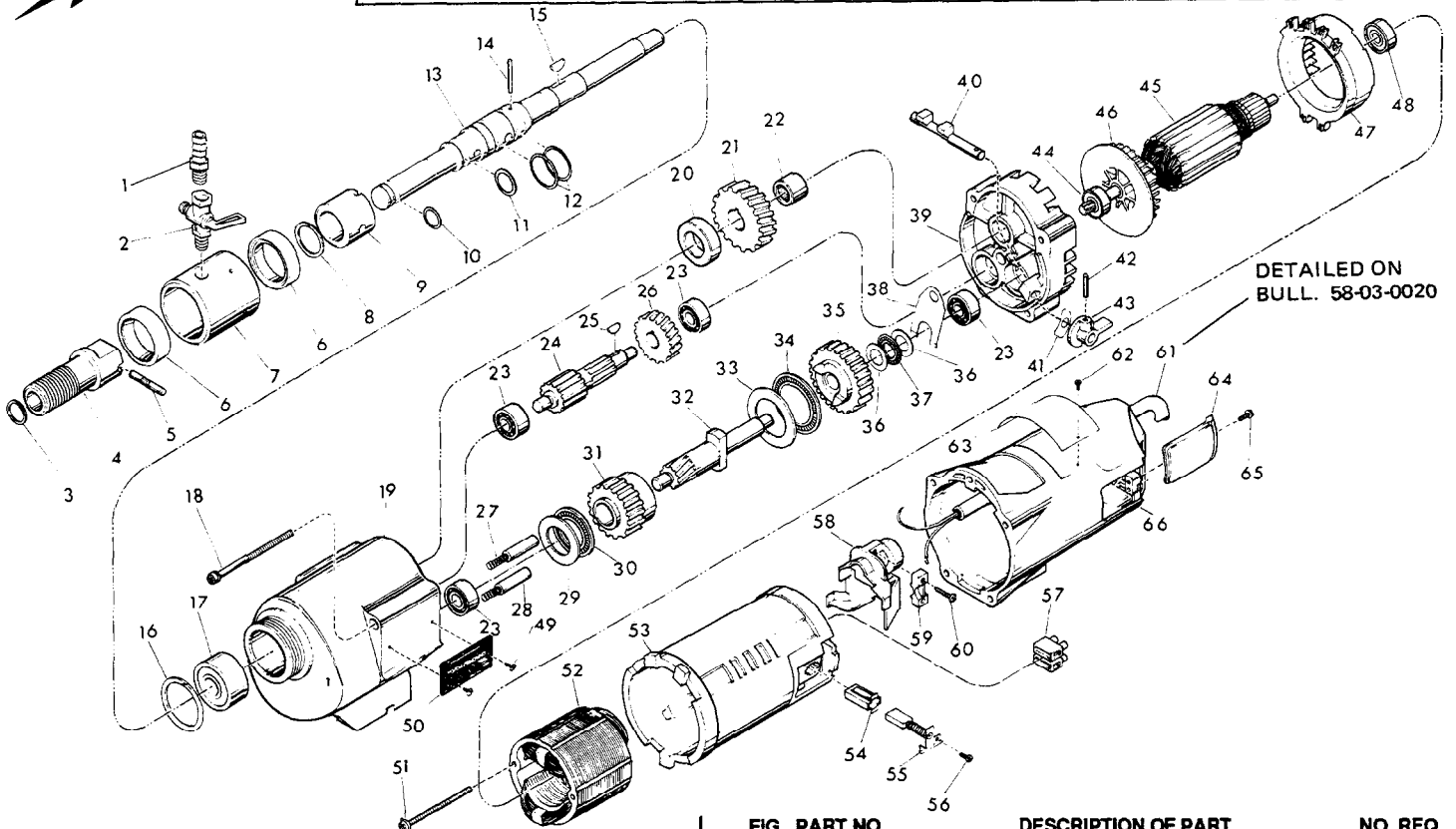




SERVICE PARTS LIST

BULLETIN NO.
55-16-0300

SPECIFY CATALOG NO. AND SERIAL NO. WHEN ORDERING PARTS		REVISED BULLETIN	DATE March'88
TWO SPEED DYMODRILL			
CATALOG NO. 4079-5	STARTING SERIAL NO. 745-1001	WIRING INSTRUCTION 58-03-0020	



DETAILED ON
BULL. 58-03-0020

FIG. PART NO.	DESCRIPTION OF PART	NO. REQ.
1 42-90-0200	Water Hose Fitting	(1)
2 45-80-0060	Shut Off Valve	(1)
3 34-60-1800	Retaining Ring	(1)
4 45-22-0050	Spindle Sleeve	(1)
5 44-60-0030	Shear Pin	(1)
6 45-06-0050	Trostel Seal	(2)
7 43-76-0051	Water Swivel Housing	(1)
8 34-60-2115	Retaining Ring	(1)
9 42-40-0630	Spindle Bushing	(1)
10 34-40-1100	O-Ring	(1)
11 34-40-1200	O-Ring	(1)
12 34-40-1350	O-Ring	(2)
13 38-50-4555	Spindle	(1)
14 06-65-1530	1/8 x 1/2" Roll Pin	(1)
15 06-42-2400	Woodruff Key	(1)
16 34-80-3800	Retaining Ring	(1)
17 02-20-2515	Ball Bearing	(1)
18 06-82-9202	1/4 - 20 x 4-1/4" Taptite Torx Screw	(4)
19 28-14-1870	Gear Case Assembly (Incl. 06-65-1535 Pin)	(1)
20 45-36-1245	Spindle Spacer	(1)
21 32-75-2661	Spindle Gear	(1)
22 02-50-4830	Needle Bearing	(1)
23 02-04-1205	Ball Bearing	(4)
24 36-66-3751	Pinion Shaft Assy.	(1)
25 06-42-1600	Woodruff Key	(1)
26 32-40-1581	Intermediate Gear	(1)
27 40-50-6300	Shifting Spring	(2)
28 44-70-0100	Shifting Plunger	(2)
29 45-88-0520	Thrust Bearing Washer	(1)
30 02-80-1800	Thrust Bearing	(1)
31 32-10-0061	Clutch Gear Assembly	(1)
32 36-14-0720	Clutch Pinion Shaft	(1)
33 45-88-0530	Thrust Bearing Washer	(1)
34 02-80-5000	Thrust Bearing	(1)
35 32-10-0051	Clutch Gear Assembly	(1)
36 45-88-0510	Thrust Bearing Washer	(2)
37 02-80-1200	Thrust Bearing	(1)
38 45-98-0090	Shifting Yoke	(1)
39 14-13-0220	Diaphragm Assy. - (Incl. 06-65-1155 Pin)	(1)
40 30-15-0272	Shift Cam	(1)
41 45-06-0350	Gear Case Seal	(1)

FIG. PART NO.	DESCRIPTION OF PART	NO. REQ.
42 06-65-0840	1/8 x 3/4" Groove Pin	(1)
43 28-60-0056	Shifting Knob	(1)
44 02-04-1230	Ball Bearing	(1)
45 16-76-0320	220V Armature (Incl. Fig. No. 46)	(1)
46 22-84-0790	Fan	(1)
47 42-14-0291	Baffle	(1)
48 02-04-1041	Ball Bearing	(1)
49 06-82-5266	4-40 x 1/4" Pan Hd. Taptite Screw	(2)
50 12-98-3060	Instruction Plate	(1)
51 06-82-9152	10-24 x 2-3/4" Torx Sem. Screw (See Note)	(2)
52 18-74-0120	220V Field	(1)
53 23-16-1410	Motor Insulator	(1)
54 22-20-0680	Brush Tube	(2)
55 22-18-0705	Carbon Brush Assembly	(2)
56 06-82-8835	8-32 x 5/16" Pan Torx Sem Screw	(2)
57 22-56-0470	Terminal Block	(1)
58 22-38-0140	Wire Trap	(1)
59 31-17-0200	Cord Clamp	(1)
60 06-82-7326	8-16 x 1" Pan Hd. Plastite Torx Screw	(2)
61 23-37-0100	Control Assy. Refer to Bul. 58-03-0020	(1)
62 06-95-2100	Nameplate - Screw	(2)
63 12-15-4160	Nameplate - Service	(1)
64 22-32-0350	Brush Cover	(2)
65 06-82-7252	8-32 x 3/8" Pan Slot Taptite Screw	(2)
66 28-50-6360	Motor Housing	(1)

NOTE: Fig. 51 Apply Type 242 Blue Loctite and Torque To 125 - 150 Lb. In.

06-83-2430	10-32 x 1/4" Set Screw (Not Shown) for Fig. No. 7	(1)
49-96-4700	1-3/8" Open End Wrench (Not Shown)	(1)
49-96-0085	3/16" Hex Wrench (Not Shown)	(1)
45-56-0210	26" Strap & Buckle (Not Shown)	(1)
49-96-0050	3/32" Hex Wrench (Not Shown)	(1)

FOR MOUNTING DRILL MOTOR

06-75-3090	1/4-20 x 7/8" Socket Hd. Screw	(4)
06-97-4050	1/4" Split Ring Lock Washer	(4)