

PARTS LEGEND

3250/65 F14, 404370

1	404229	4	Socket Head Capscrew, 1/4-20 x 2-1/4"
→ 2	002187	4	Lock Washer, 1/4"
3	404242	1	Cap, Diffuser
▲ 4	006310	1	Socket Head Capscrew, #6-32 x 1/2"
6	402705	1	Cap
7	402717	1	Conical Spring
*8	404230	1	Retaining Ring
*9	091537	1	"O" Ring, Main Valve Assembly
10	404122	1	Upper Valve Piston
11	404055	1	Post, Main Valve
*12	404256	1	"O" Ring, Main Valve Post
*13	402723	1	"O" Ring, Piston
14	403563	1	Piston
15	403582	1	Jam Nut
*16	404369	1	Driver Blade
17	402725	1	Seal, Sleeve
18	405246	1	Sleeve
*19	402728	1	"O" Ring, Sleeve
*20	402729	1	"O" Ring, Sleeve
21	403854	1	Retaining Bumper
*22	403853	1	Bumper
23	404371	1	Lower Seal
*24	402707	1	Gasket, Cap
25	402701	1	Housing
→ 26	404939	2	Logo, Housing
→ 27	500691	1	Nameplate
28	402708	1	Gasket, Flange
29	402706	1	Flange
▲ 30	091545	4	Socket Head Capscrew, 1/4-20 x 7/8"
31	405144	1	Trigger
32	402079	1	Pin, Trigger
33	404325	1	Stop Nut
34	026133	2	Roll Pin, 1/8" Dia. x 1" Lg.
35	402730	1	Pivot Pin, Front Guide
36	404698	2	Roll Pin Assembly
37	403969	1	Front Guide
38	403968	1	Back Plate
39	401958	1	Valve Body
*40	092174	1	"O" Ring, Valve Body
41	097746	1	Valve Pin
42	097748	1	Spring, Valve Pin
*43	091591	1	"O" Ring, End Plug
▲ 44	401940	1	End Plug
45	091622	1	Reducing Pipe Bushing
46	004502	2	Socket Head Capscrew, #10-32 x 5/8"
47	403746	1	Rail Bracket Assembly
48	402731	1	Logo-Rail
49	092037	2	Lock Nut, #10 - 32
50	404054	1	Seal Main Valve
51	404289	1	Bracket, Work Contacting Element
*52	402738	1	Spring, Work Contacting Element
53	403719	1	Interm. Work Contacting Element Assembly
→ 54	004224	4	Socket Head Capscrew, #10 - 32 x 3/8"
→ 55	403716	2	Socket Head Capscrew #10 - 32 x 5/16"
56	402629	2	Hardened Washer
57	405076	1	Spring, Front Guide Latch
58	403712	1	Front Guide Latch Assembly
59	403724	1	Rail Cover Assembly
60	403708	1	Negator Assembly
61	403710	1	Roller, Negator
62	403702	2	Wear Strip
63	404375	1	Rail Assembly (includes spacer and rivet)
64	404627	1	Work Contacting Element
65	404671	1	Tip
66	404374	1	Follower Assembly
67	403711	1	Latch Pin, Follower
68	091536	1	Spring, Follower Latch Pin
69	403713	1	Retaining Ring
70	404243	4	Spacer
71	091447	4	Flat Washer
72	404274	1	Washer
73	403812	2	Flat Washer
74	009397	2	Capscrew #10-24 x 1/2"
**75	500458	1	Warning Label
*77	090927	1	"O" Ring, Main Valve Assembly
*78	092775	1	"O" Ring, Main Valve Assembly
*79	092773	1	"O" Ring, Main Valve Assembly
80	404056	1	Lower Valve Piston
81	405147	1	Lever, Trigger
82	005849	1	Roll Pin
83	401988	1	Spring, Rail Cover
84	094295	1	"O" Ring, Follower
85	404376	1	Spacer
86	404372	1	Rivet
→ 87			
88	405243	1	Flange, Sleeve
89	091966	1	"O" Ring
90	500488	1	Grip, Handle

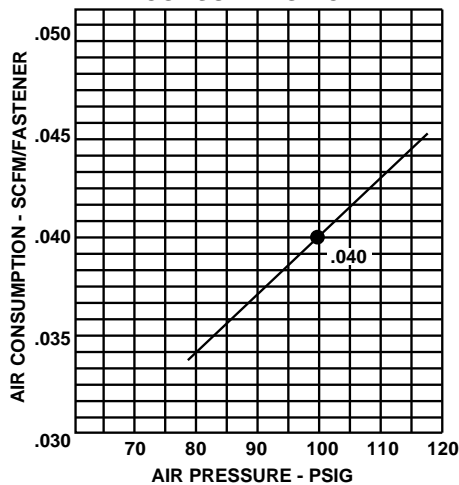
* Denotes normal wear items

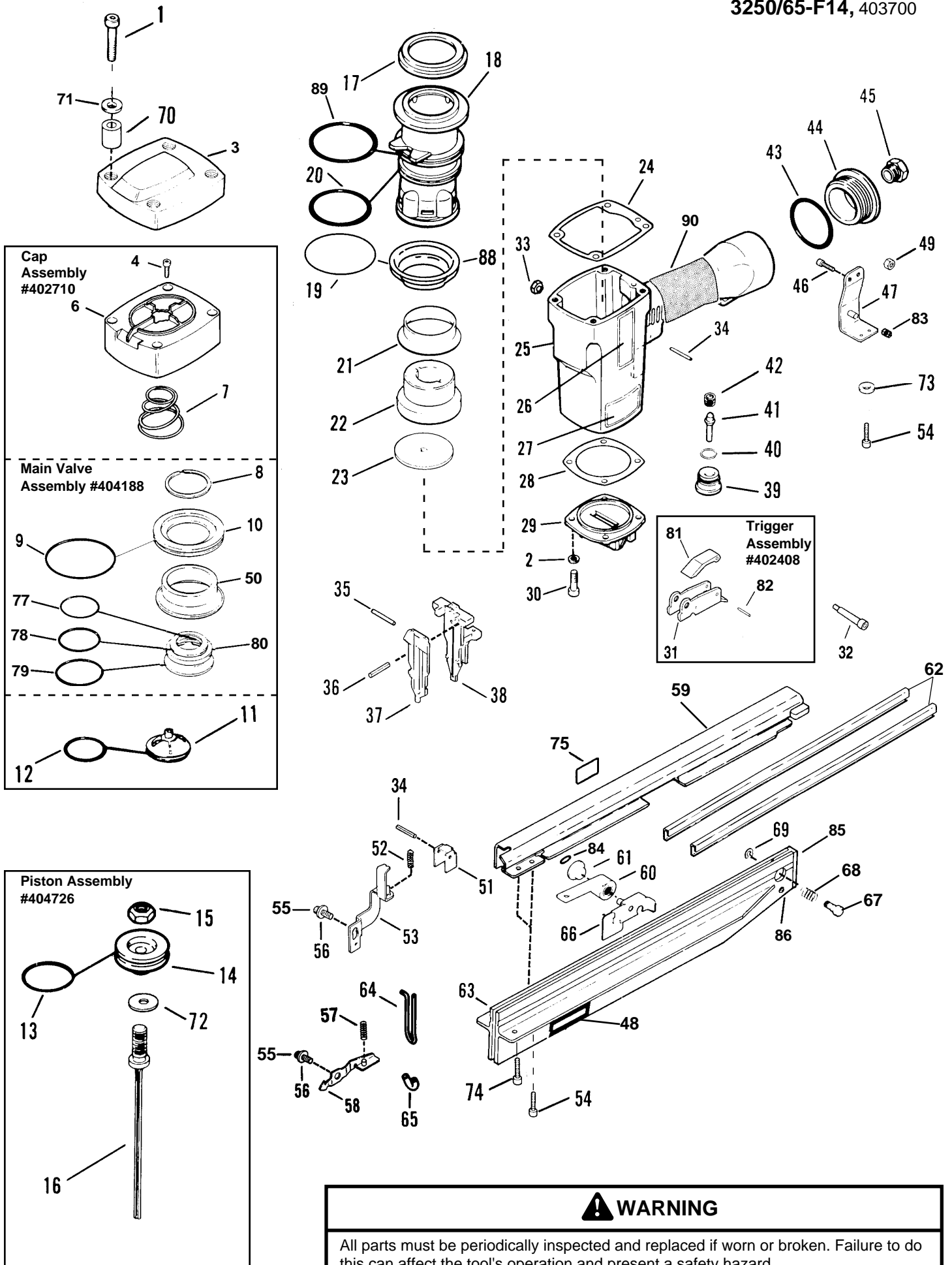
** Make sure Warning Label (500458) is properly affixed.
Replace if necessary. Label available at no charge through Service Department.

▲ Apply Loctite 242 (Blue)

→ Denotes New Change

AIR CONSUMPTION CHART





⚠ WARNING

All parts must be periodically inspected and replaced if worn or broken. Failure to do this can affect the tool's operation and present a safety hazard.