

Pneumatic Jigsaw - 0 607 561 118 - 400 WATT-SERIE

www.powertools-aftersaleservice.com



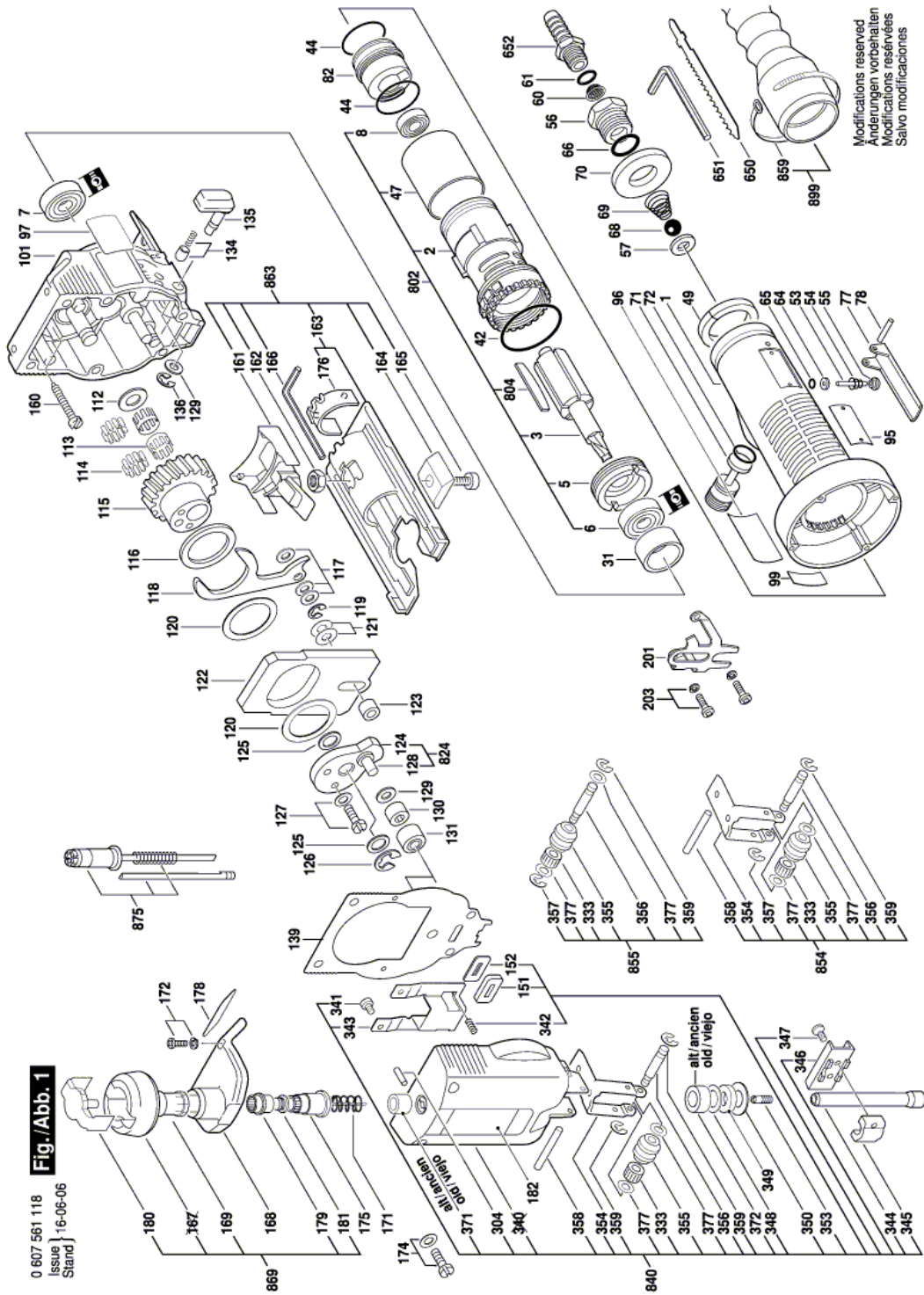
BOSCH

Item	Part Number	Description	Illustration	Price	Quantity	Price Group
1	3 605 108 084	Motor Housing BLUE	1	-,-	1	36
2	3 604 090 046	Stator 400W	1	-,-	1	45
3	3 604 220 047	Rotor	1	-,-	1	45
5	3 605 700 076	Bearing Flange	1	-,-	1	34
6	3 600 905 039	groove ball bearing 9x24x7 MM	1	-,-	2	24
8	1 900 905 028	groove ball bearing 7x17x5	1	-,-	1	34
31	3 600 200 058	Intermediate Ring	1	-,-	1	29
42	2 600 210 019	O-Ring 33,0x2,0 MM	1	-,-	1	11
44	2 600 210 018	O-Ring 26,0x1,5 MM	1	-,-	2	13
47	3 600 700 032	Spigot	1	-,-	1	30
49	3 601 010 006	Silencer	1	-,-	3	11
53	3 603 201 050	Needle Roller	1	-,-	1	11
54	3 604 611 006	Compression Spring	1	-,-	1	11
55	3 603 132 000	Valve Cone	1	-,-	1	12
56	3 603 458 010	Fitting	1	-,-	1	27
57	3 600 206 006	Sealing disk	1	-,-	1	15
60	3 600 002 000	Strainer	1	-,-	1	13
61	1 600 100 617	Shim 0,5 MM THICK	1	-,-	2	11
64	2 916 011 006	Plain Washer DIN 125-A3,2-ST	1	-,-	1	11
65	2 600 210 007	O-Ring 2,4x1,9 MM	1	-,-	1	12
66	3 600 210 036	O-Ring 16x1,25 MM	1	-,-	1	12
68	1 903 230 528	Ball DIN 5401-9,5MM-III-ST	1	-,-	1	11
69	3 604 616 008	Compression Spring	1	-,-	1	11
70	3 600 105 002	Silencer	1	-,-	1	22
71	3 608 750 028	Valve piston	1	-,-	1	18
72	1 900 210 307	O-Ring	1	-,-	1	14
77	3 601 902 001	Control Lever	1	-,-	1	18
78	2 917 700 040	Grooved Pin DIN 1475-2x18-ST	1	-,-	1	12
82	3 608 750 027	Intermediate Piece	1	-,-	1	26
92	3 601 110 574	Reference Plate	N/A	-,-	1	13
95	1 601 11A 3HF	Nameplate	1	-,-	1	13
96	3 601 110 039	Manufacturer's nameplate	1	-,-	1	16
97	2 601 110 055	Sticker	1	-,-	1	16

Item	Part Number	Description	Illustration	Price	Quantity	Price Group
99	3 601 119 236	Reference Plate	1	-,-	1	15
101	3 605 808 008	Gear Housing	1	-,-	1	44
112	2 600 101 616	Shim 0,5 MM	1	-,-	1	14
113	2 600 913 036	Needle-Roller Cage	1	-,-	2	11
114	2 603 201 037	Needle Roller 1,5x5,8 MM	1	-,-	20	11
115	1 619 P02 581	Eccentric Cog Wheel	1	-,-	1	29
116	2 600 102 653	Shim 1,0 MM	1	-,-	1	11
117	2 600 100 515	Shim 0,3 MM	1	-,-	2	11
117	2 600 100 516	Shim 0,5 MM	1	-,-	1	12
118	2 601 923 004	Fork Lever	1	-,-	1	14
119	2 916 080 007	Locking Washer DIN 6799-4-FSt	1	-,-	1	12
120	2 600 102 652	Shim 0,5 MM	1	-,-	2	11
121	2 600 100 625	Shim 0,1 MM	1	-,-	1	13
121	2 600 100 626	Shim 0,2 MM	1	-,-	1	11
121	2 600 100 627	Shim 0,3 MM	1	-,-	1	11
121	2 600 100 628	Shim 0,5 MM	1	-,-	1	11
122	2 601 098 003	Counterweight	1	-,-	1	21
123	2 600 309 009	Spacer Sleeve	1	-,-	1	11
124	2 601 072 010	Eccentric Disc	1	-,-	1	-
125	2 600 100 575	Shim 0,2 MM	1	-,-	1	12
125	2 600 100 576	Shim 0,3 MM	1	-,-	1	12
125	2 600 100 577	Shim 0,5 MM	1	-,-	2	11
126	2 916 080 910	Locking Washer DIN 6799-7-FSt	1	-,-	1	10
127	2 914 551 176	Microencapsulated Screw DIN 7985-M4x12MM	1	-,-	2	10
127	2 914 501 028	Screw and washer assembly M 4x12 MM	1	-,-	2	10
128	2 603 100 024	Bearing bolt	1	-,-	1	-
129	2 600 100 568	Shim 0,5 MM	1	-,-	2	11
129	2 600 100 569	Shim 1,0 MM	1	-,-	1	11
129	2 600 100 607	Shim 0,3 MM	1	-,-	1	11
130	2 600 914 010	Needle-Roller Bearing Ø6 MM	1	-,-	1	14
131	2 600 400 012	Bearing Sleeve	1	-,-	1	16
134	2 600 590 006	Ratchet Cap	1	-,-	1	11
135	2 602 026 036	Rotary Knob BLACK	1	-,-	1	16
136	2 916 080 908	Locking Washer 5 DIN 6799	1	-,-	1	10
139	2 601 015 050	Seal	1	-,-	1	12
151	2 601 015 055	Sealing Plate	1	-,-	1	12
152	2 601 015 008	fixing plate 0,6 MM	1	-,-	1	12
160	2 912 401 020	Tapping Screw DIN 7981-3,9x19-C-Z-ST	1	-,-	4	10
161	3 605 500 035	Sealing cap	1	-,-	1	17
162	3 603 435 044	Hex Nut	1	-,-	1	10
163	2 601 016 903	Base Plate	1	-,-	1	28
164	2 601 030 019	Profile Beading	1	-,-	1	13
165	2 910 141 197	Hex Socket Head Cap Screw DIN 912-M6x16-8.8	1	-,-	1	10
166	1 907 950 006	Offset Screwdriver DIN 911-SW5 BLACK	1	-,-	1	16
168	3 605 703 057	Flanged Elbow Fitting	1	-,-	1	23
169	2 602 026 047	Handle BLACK	1	-,-	1	14
171	2 604 617 003	Compression Spring	1	-,-	1	12
172	2 603 410 054	Thread-forming tap. Screw M 5x16	1	-,-	2	12
174	2 603 410 049	Thread-forming tap. Screw M4x12 MM	1	-,-	2	11
175	2 606 491 001	Coupling Half	1	-,-	1	-
176	2 601 328 044	Scale Plate	1	-,-	1	11
178	2 601 110 930	Sticker	1	-,-	1	11

Item	Part Number	Description	Illustration	Price	Quantity	Price Group
179	2 606 491 002	Ratchet	1	-,-	1	13
180	2 602 026 048	Push-Button	1	-,-	1	17
181	2 600 423 005	Carrier Bracket	1	-,-	1	12
182	2 601 110 764	Sticker	1	-,-	1	-
201	2 601 322 021	Safety Device	1	-,-	1	16
203	2 910 011 128	Socket head cap screw DIN 84-AM4x18-5.8	1	-,-	2	10
304	1 903 201 042	Needle Roller DIN 5402-A3x11,8-G2	1	-,-	2	12
333	2 600 917 000	Needle bearing	1	-,-	1	18
340	2 605 808 079	Gear Cover	N/A	-,-	1	-
341	2 603 410 048	Thread-forming tap. Screw M4x8	1	-,-	2	11
342	2 604 613 000	Compression Spring	1	-,-	2	11
343	2 601 322 010	Guide Bracket	1	-,-	1	16
344	2 600 780 177	Lifting Rod	1	-,-	1	27
345	2 602 329 011	Clamping Saddle	1	-,-	1	17
346	2 602 317 053	Sliding Piece	1	-,-	1	19
347	2 603 421 040	Countersunk-Head Screw DIN 7962-M3,5x8-10.9	1	-,-	2	11
348	2 600 112 031	Supporting Disc 0,5 MM	1	-,-	1	11
349	2 600 290 017	Seal Ring 0,5 MM	1	-,-	1	11
350	2 600 101 612	Shim 0,5 MM	1	-,-	1	11
353	2 603 490 006	Clamp Screw	1	-,-	1	-
354	2 601 321 046	Roller Lever	1	-,-	1	21
355	2 600 326 019	Guide Roller	1	-,-	1	18
356	2 603 105 089	Bearing bolt	1	-,-	1	11
357	2 600 116 011	Locking Washer	1	-,-	1	12
358	2 917 530 101	Straight Pin DIN 6325-4M6x24	1	-,-	1	14
359	2 916 080 905	Locking Washer	1	-,-	1	10
371	2 600 301 046	Sintered-Metal Bushing	1	-,-	1	15
372	2 600 301 045	Bushing	1	-,-	1	14
377	2 600 100 032	Shim 0,2 MM	1	-,-	2	11
650	2 607 010 403	Saw Blade Set	1	-,-	1	21
651	1 907 950 006	Offset Screwdriver DIN 911-SW5 BLACK	1	-,-	1	16
652	3 603 386 068	Hose fitting	1	-,-	1	29
802	3 607 030 124	Rotor	1	-,-	1	54
804	3 607 030 030	Rotor Lamella 5 PIECE	1	-,-	1	31
824	2 601 072 901	Eccentric Disc	1	-,-	1	20
840	2 605 808 920	Gear Cover	1	-,-	1	44
854	2 601 321 902	Roller Lever	1	-,-	1	28
855	1 619 P01 375	Roller Set	1	-,-	1	23
859	3 604 710 062	Holding Belt BLACK	1	-,-	1	11
863	3 607 030 131	Base Plate	1	-,-	1	31
869	2 602 026 900	Handle	1	-,-	1	24
875	2 606 491 917	Modification Set 100-240V	1	-,-	1	29
899	3 607 000 027	Air Hose	1	-,-	1	32

Illustration - Type E



Information subject to change without further notice.