

HN250 Joist Hanger Nailer

SENCO®

BC0424

KB3597

AC0527

AC0526

#

LB0980

#

BC0425

#

#

BC0426

#

#

EB0300

BB0218

#

BC0427

KB4366

FC0494

FC0495

KB4367

KB3610

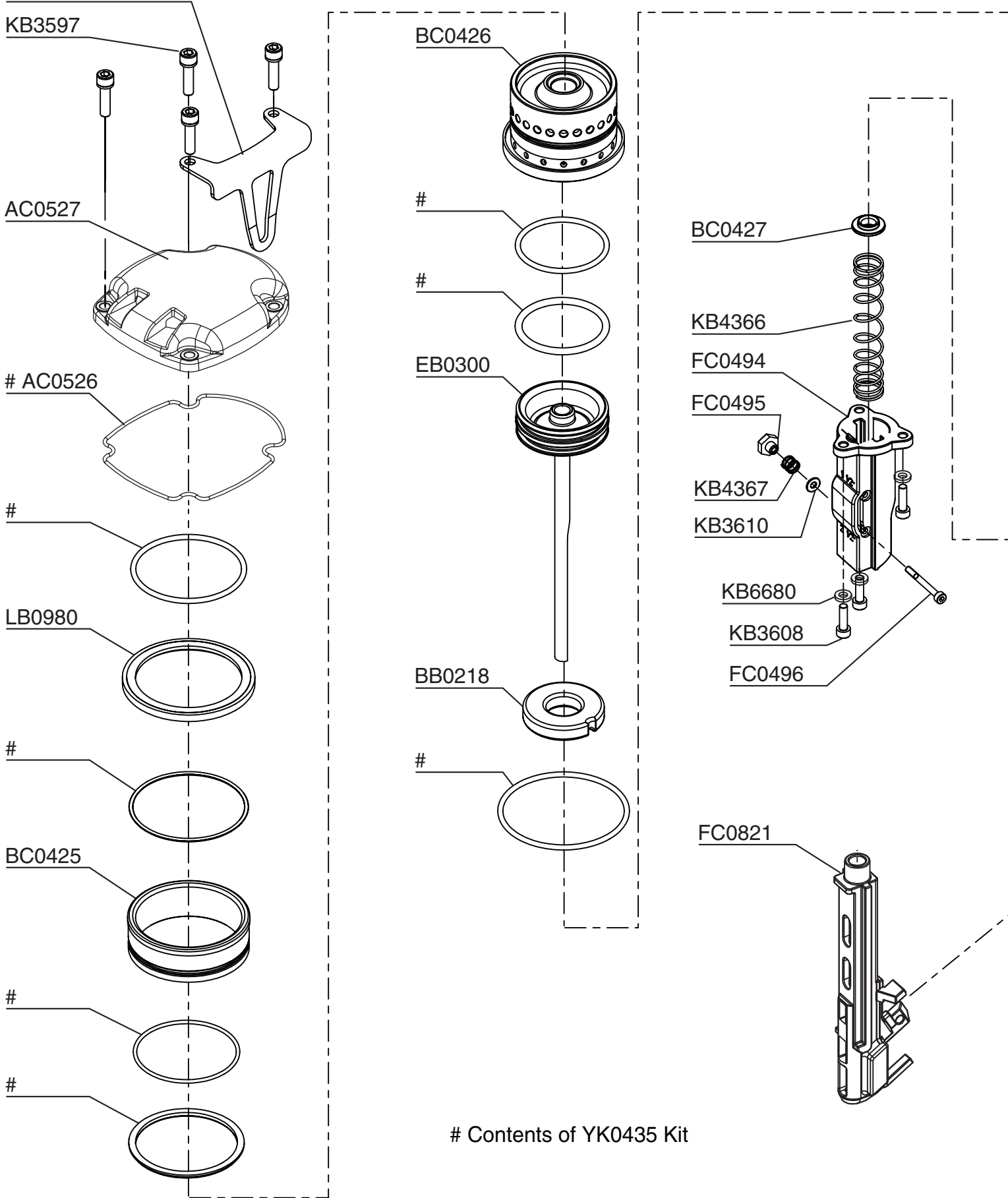
KB6680

KB3608

FC0496

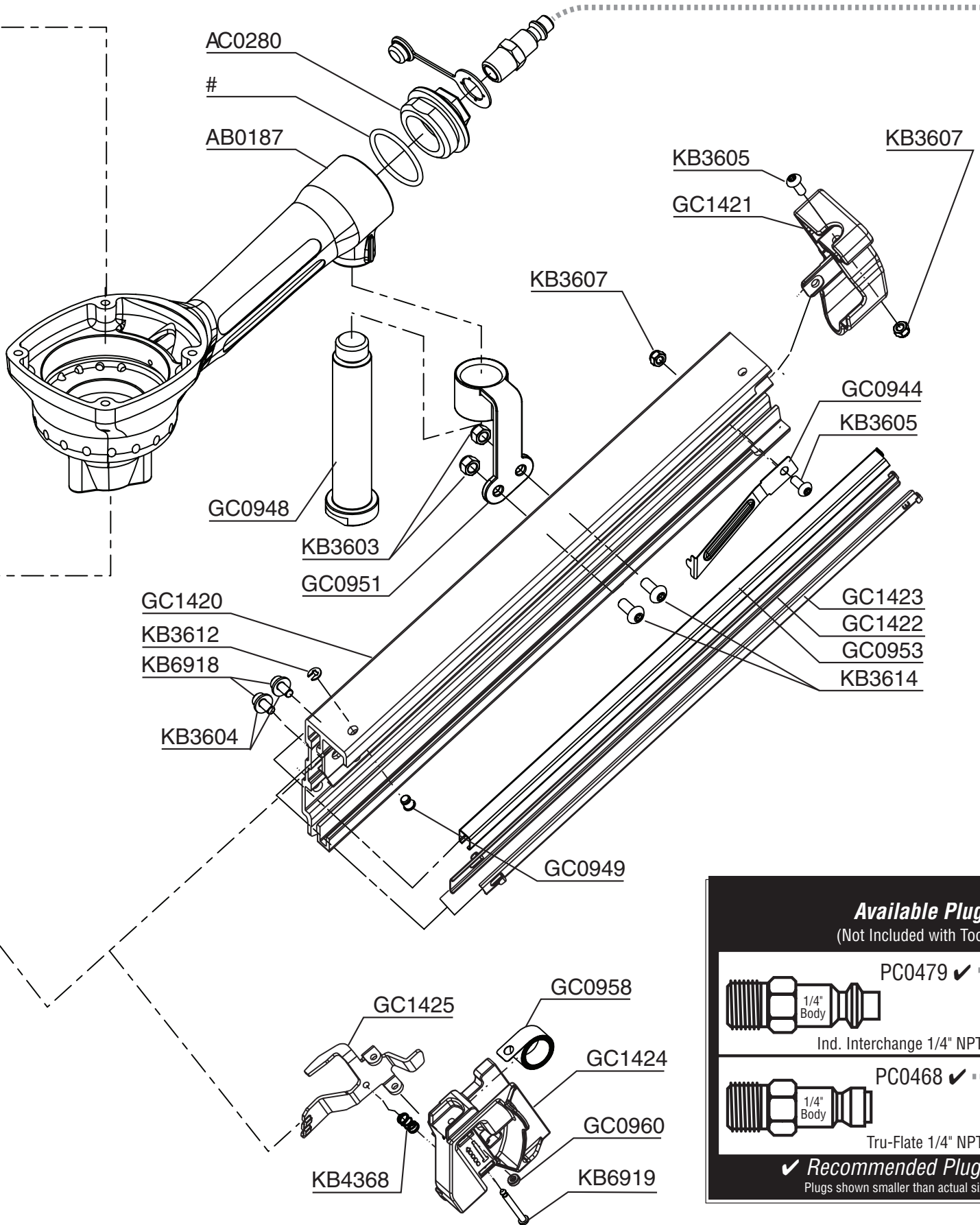
FC0821

Contents of YK0435 Kit



HN250 Joist Hanger Nailer

SENCO®



Available Plugs
(Not Included with Tool)

PC0479 ✓
1/4" Body
Ind. Interchange 1/4" NPT

PC0468 ✓
1/4" Body
Tru-Flate 1/4" NPT

✓ **Recommended Plugs**
Plugs shown smaller than actual size

NFG03Z Revised January 30, 2012 (Replaces 1/3/12) © 2012 by SENCO Brands, Inc. Cincinnati, Ohio 45245 - U.S.A.

HN250 Joist Hanger Nailer

REPLACEMENT PARTS LIST • LISTA DE PARTES DE REPUESTO • ERSATSTEILE-LISTE • LISTE DE PIÈCES DE RECHANGE

PART NO.	DESCRIPTION	DESCRIPCIÓN	BESCHREIBUNG	DÉSIGNATION
AB0187	MAIN BODY	CARCASA	GEHÄUSE	CORPS
AC0280	END CAP	TAPA TERMINAL	ABSCHLUßKAPPE	BOUCHON D 'EXTRÉMITÉ DE RAIL
AC0526	GASKET	JUNTA	DICHTUNG	JOINT
AC0527	CAP	TAPAS	DECKELSATZ	CAPUCHON
BB0218	PISTON BUMPER	AMORTIGUADOR	PUFFER	AMORTISSEUR
BC0424	BELT HOOK	GANCHO DE CINTURON	GURTHAKEN	CROCHET DE CEINTURE
BC0425	EXHAUST VALVE	VÁLVULA	VENTIL	VALVE
BC0426	FIRING VALVE	VÁLVULA	VENTIL	VALVE
BC0427	DRIVER GUIDE	GUÍA	FÜHRUNG	GUIDE
EB0300	PISTON/DRIVER ASSY	ASAMBLE DE PISYON Y	KOLBEN/TREIBER	PISTON/COUTEAU
FC0494	UPPER GUIDE BODY	CUERPO GUÍA SUPERIOR	OBER FÜHRUNGSGEHÄUSE	CORPS DE GUIDAGE SUPÉRIEUR
FC0495	ADJUSTER CAP	TAPAS	DECKELSATZ	CAPUCHON
FC0496	PIN	PASADOR	STIFT	GOUPILLE
FC0821	LOWER GUIDE BODY	CUERPO GUÍA INFERIOR	UNTER FÜHRUNGSGEHÄUSE	CORPS DE GUIDAGE INFÉRIEUR
GC0944	DETAINER	RETENEDOR	RÜCKHALTER	RETENUE
GC0948	MAGAZINE GUIDE	GUÍA	FÜHRUNG	GUIDE
GC0949	PIN	PASADOR	STIFT	GOUPILLE
GC0951	BRACKET	SOPORTE	HALTERUNG	SUPPORT DE FIXATION
GC0953	UPPER RAIL ASSY	CARRIL SUPERIOR	OBERSCHIENE	RAIL SUPÉRIEUR
GC0958	SPRING	RESORTE	FEDER	RESSORT
GC0960	RETAINER	UNTA TÓRICA	SICHERUNGSRING	RETENUE
GC1420	MAGAZINE	CARGADOR	MAGAZIN	MAGASIN
GC1421	MAGAZINE END CAP	TAPA TERMINAL	ABSCHLUßKAPPE	BOUCHON D 'EXTRÉMITÉ DE RAIL
GC1422	LOWER RAIL INSERT	CARRIL INFERIOR	UNTERSCHIENE	RAIL INFÉRIEUR
GC1423	LOWER RAIL INSERT	CARRIL INFERIOR	UNTERSCHIENE	RAIL INFÉRIEUR
GC1424	FEEDER CARRIAGE	ALIMENTADOR	NAGELSCHIEBER	POUSSOIR
GC1425	FEEDER CLIP	ALIMENTADOR	NAGELSCHIEBER	POUSSOIR
KB3597	SCREW	TORNILLO	SCHRAUBE	VIS
KB3603	LOCK NUT	TUERCA	MUTTE	ÉCROU
KB3604	WASHER	ARANDELA	SCHEIBE	RONDELLE
KB3605	SCREW	TORNILLO	SCHRAUBE	VIS
KB3607	LOCK NUT	TUERCA	MUTTE	ÉCROU
KB3608	SCREW	TORNILLO	SCHRAUBE	VIS
KB3610	WASHER	ARANDELA	SCHEIBE	RONDELLE
KB3611	SCREW	TORNILLO	SCHRAUBE	VIS
KB3612	E-RING	ANILLO 'E'	E-RING	ANNEAU EN E
KB3614	SCREW	TORNILLO	SCHRAUBE	VIS
KB4366	SPRING	RESORTE	FEDER	RESSORT
KB4367	SPRING	RESORTE	FEDER	RESSORT
KB4368	SPRING	RESORTE	FEDER	RESSORT
KB6680	WASHER	ARANDELA	SCHEIBE	RONDELLE
KB6919	PIN	PASADOR	STIFT	GOUPILLE
KB6918	SCREW	TORNILLO	SCHRAUBE	VIS
LB0980	COLLAR	COLLARÍN	MANSCHETTE	COLLERETTE