



SERVICE PARTS LIST

BUL. 54-16-2041

DIAMOND CORE DRILL

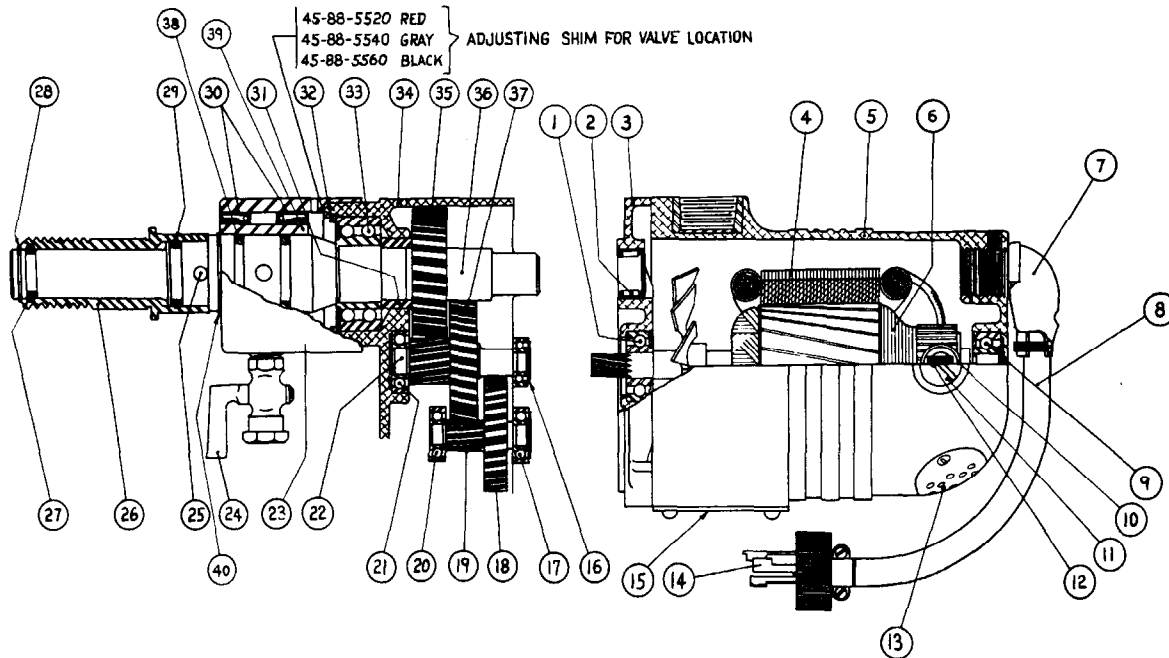
REVISED BUL. 6161-2 DATE Feb. '68

Catalog No. **3940**

Starting Serial No. **161-2023**

WIRING INSTR. **58-01-0390**

Both Model and Serial No. must be furnished to obtain correct parts.



230V Motor
16-86-1200 Armature
18-86-1060 Field

ILLUSTRATED PARTS

FIG.	PART NO.	DESCRIPTION OF PART	FIG.	PART NO.	DESCRIPTION OF PART
1	02-04-1140	Ball Bearing	21	02-04-1210	Ball Bearing
2	02-50-4820	Needle Bearing	22	36-66-1301	2nd. Intermediate Pinion Shaft
3	28-28-0301	Diaphragm	23	43-76-0051	Water Swivel Housing
4	18-82-1070	Field Assembly	24	45-80-0060	Valve
5	28-50-4121	Motor Housing	25	44-60-0050	Shear Pin
6	16-82-1220	Armature Assembly	26	45-22-0050	Spindle Sleeve
7	22-56-0060	Right Angle Connector	27	34-40-1100	'O' Ring
★ 8	22-64-0065	Cord (Includes item 14)	28	34-60-1800	Snap Ring
9	02-04-1070	Ball Bearing (Comm. End)	29	34-40-1200	'O' Ring
10	22-22-0015	Brush Holder Assembly (2)	30	45-06-0050	Water Seal
11	23-44-0030	Brush Retaining Screw Assembly (2)	31	45-36-0080	Spindle Spacer
12	22-18-0055	Carbon Brush Assembly (2)	32	34-80-3800	Spindle Ball Retaining Ring
13	44-66-0180	Air Intake Cover Plate	33	02-20-2520	Ball Bearing
14	23-36-0070	Twist Lock Plug	34	28-14-0041	Gear Case
15	44-66-0050	Body Cover Plate	35	32-75-1261	Spindle Gear
16	02-04-0820	Ball Bearing	36	38-50-4501	Spindle
17	02-04-0910	Ball Bearing	37	32-44-1201	2nd Intermediate Gear
18	32-42-1201	1st Intermediate Gear	38	34-40-1350	'O' Ring (2)
19	36-66-2951	1st Intermediate Pinion Shaft	★39	42-40-0391	Spindle Bushing
20	02-04-0910	Ball Bearing	40	34-60-2115	Retaining Ring

MISCELLANEOUS PARTS NOT SHOWN

PART NO.	DESCRIPTION OF PART	PART NO.	DESCRIPTION OF PART
49-18-0050	Water Hose	06-81-8625	6-32x1/4 Rd.Hd.Sems Brass Ground Wire Screws
12-98-2000	Name Plate	★06-97-2200	Kantlink Lock Washers (2)
06-81-8400	4-40x1/4 Rd.Hd. Name Plate Screw Sems (2)	★06-97-3800	Kantlink Lock Washers (4)
06-81-2100	1/4-20x3-1/4 Fil.Hd. Gear Case Screws (2)	06-42-2000	Woodruff Key
06-81-1975	1/4-20x2-1/4 Fil.Hd. Gear Case Screws (2)	06-42-1200	Woodruff Key
06-81-1150	10-24x3-1/8 Fil.Hd. Field Screws (2)	06-42-2400	Woodruff Key
06-83-2650	1/4-20x3/8 Hd'less Brush Holder Set Screws (2)	06-83-2650	1/4-20x3/8 Hd'less Cord Clamp Set Screw
★06-81-8650	6-32x1/4 Rd.Hd. Air Intake Plate Sem (2)	06-81-5000	1/4-20x3/8 Truss Hd. Screws (4)
★49-96-4700	Open End Wrench	★23-86-0060	Insulating Washer (2)