

## Table Saw - 0 601 475 039 - 3915

www.powertools-aftersaleservice.com



**BOSCH**

Item	Part Number	Description	Illustration	Price	Quantity	Price Group
1	2 610 911 880	Motor Housing	1	-,-	1	43
2	2 610 911 856	Stator 120V	1	-,-	1	43
3	2 610 911 857	Rotor 120V	1	-,-	1	51
4	2 610 911 881	Toggle Switch	1	-,-	1	36
4/10	2 610 315 146	Screw	1	-,-	4	11
5	2 610 911 879	Power supply cord	1	-,-	1	40
6	2 610 911 932	Cord guard	1	-,-	1	14
7	2 610 911 878	Fastening Clamp	1	-,-	1	10
9	2 610 991 995	Nameplate	1	-,-	1	-
11	2 610 911 924	Spring Washer	1	-,-	1	15
12	2 610 996 948	Rubber Ring	1	-,-	1	11
13	2 610 911 928	Ball Bearing	1	-,-	1	24
14	2 610 911 927	Ball Bearing	1	-,-	1	31
15	2 610 358 932	Connector	1	-,-	2	11
16	2 610 911 858	Brush Holder alt	1	-,-	2	27
17	2 610 911 930	Cable 280 MM	1	-,-	1	11
18	2 610 911 942	Cable 360 MM	1	-,-	1	11
19	2 610 911 931	Air-Deflector Ring	1	-,-	1	15
20	2 610 911 572	Gear Housing	1	-,-	1	47
21	2 610 911 859	Brush-Cover Ø 20mm	1	-,-	2	12
22	2 610 911 566	Bearing cover	1	-,-	1	14
23	2 610 911 929	Screw	1	-,-	2	10
24	2 610 998 571	Screw alt	1	-,-	2	10
25	2 610 911 865	Screw	1	-,-	4	10
26	2 610 911 567	Spring Wire	1	-,-	1	11
27	2 610 304 698	Screw	1	-,-	1	11
28	2 610 993 102	Woodruff Key	1	-,-	1	12
29	2 610 911 903	Screw	1	-,-	3	10
30	2 610 911 904	Screw	1	-,-	4	10
31	2 610 358 521	Hex Nut	1	-,-	4	11
34	2 610 993 105	Ball Bearing	1	-,-	1	32
35	2 610 993 106	Needle bearing	1	-,-	1	22
36	2 610 911 557	Linkage	1	-,-	1	22

Item	Part Number	Description	Illustration	Price	Quantity	Price Group
37	2 610 911 850	Spacer	1	-,-	1	10
38	2 610 993 107	Tab Washer	1	-,-	1	20
39	2 610 911 895	Plain Washer	1	-,-	2	10
40	2 610 027 396	Washer	1	-,-	1	11
41	2 610 911 588	Clamping Block	1	-,-	4	14
42	2 610 911 583	Knob	2	-,-	1	20
43	2 610 911 582	Spring	2	-,-	1	10
44	2 610 911 592	Bearing Pedestal	2	-,-	1	46
45	2 610 911 589	Felt Washer	1	-,-	4	21
46	2 610 911 584	Rubber Pad	1	-,-	2	10
47	2 610 911 593	Slotted Spring Pin	1	-,-	4	13
48	2 610 911 872	Cable Clip	1	-,-	2	10
49	2 610 911 586	Support	2	-,-	1	32
50	2 610 911 551	Base Plate	2	-,-	1	54
51	2 610 911 869	Bar	2	-,-	1	16
52	2 610 911 577	Retaining Pin	1	-,-	2	11
53	2 610 911 561	Contact strap	2	-,-	1	16
54	2 610 911 559	Tensioning Lever	2	-,-	1	19
55	2 610 351 415	Plain Washer	2	-,-	1	10
56	2 610 915 760	Sliding Bearing	1	-,-	2	44
57	2 610 911 587	Intermediate Plate	1	-,-	2	19
58	2 610 911 590	Pipe	1	-,-	1	44
59	2 610 911 875	Shaft	1	-,-	1	26
60	2 610 911 594	Locking Pin	1	-,-	1	20
61	2 610 911 564	Spring	1	-,-	1	10
62	2 610 911 899	Screw	1	-,-	11	10
63	2 610 911 908	Set screw	1	-,-	1	11
64	2 610 911 902	Clip	1	-,-	1	10
65	2 610 911 563	End stop	1	-,-	1	11
66	2 610 911 937	Shim	1	-,-	2	15
67	2 610 911 599	Plain Washer	1	-,-	2	10
68	2 610 911 570	Hex Nut	1	-,-	1	10
69	2 610 004 925	Screw	1	-,-	2	14
70	2 610 911 883	Shoulder Screw	1	-,-	1	12
71	2 610 911 911	Shoulder Screw	1	-,-	1	10
72	2 610 911 886	Self-locking nut	2	-,-	2	10
73	2 610 911 905	Screw	1	-,-	1	10
74	2 610 911 580	Screw	1	-,-	1	14
75	2 610 911 873	Stop Screw	1	-,-	1	13
76	2 610 911 579	Nut	1	-,-	1	23
77	2 610 934 688	Nut	1	-,-	2	13
78	2 610 911 598	Shoulder Screw	1	-,-	1	11
79	2 610 911 896	Nut	1	-,-	1	10
80	2 610 911 885	Shoulder Screw	1	-,-	1	10
81	2 610 911 914	Set screw	2	-,-	4	12
82	2 610 328 618	Nut	2	-,-	4	10
83	2 610 911 887	Plain Washer	2	-,-	3	10
84	2 610 911 868	Spring Washer	2	-,-	2	10
85	2 610 911 670	Label	2	-,-	1	15
86	2 610 911 897	Screw	1	-,-	5	10
87	2 610 911 907	Screw and washer assembly	1	-,-	3	10
88	2 610 911 562	Shoulder Screw	1	-,-	1	13
89	2 610 911 560	Screw	2	-,-	1	21

Item	Part Number	Description	Illustration	Price	Quantity	Price Group
90	2 610 911 891	Spring Washer	2	-,-	1	10
91	2 610 911 853	Torsion Spring	1	-,-	1	16
92	2 610 911 671	Warning Plate	1	-,-	1	15
93	2 610 911 861	Hex Screw	2	-,-	1	15
94	2 610 911 884	Threaded Bolt	2	-,-	1	14
95	2 610 911 575	Detent Pin	1	-,-	1	12
96	2 610 911 576	Compression Spring	1	-,-	2	11
97	2 610 911 578	Knob	1	-,-	2	10
98	2 610 911 556	Flap Guard	1	-,-	1	35
99	2 610 911 852	Cover	1	-,-	1	17
100	2 610 953 068	Plain Washer	1	-,-	2	10
101	2 610 911 909	Flange	1	-,-	2	19
102	2 610 911 870	Plain Washer	1	-,-	1	13
103	2 610 911 860	Torsion Spring	1	-,-	1	27
104	2 610 911 874	Sleeve	1	-,-	1	15
105	2 610 911 862	Support Plate	2	-,-	2	17
106	2 610 911 867	Holding Fixture	2	-,-	1	20
107	2 610 911 877	Pointer	2	-,-	1	13
108	2 610 911 597	Bolt	2	-,-	1	11
109	2 610 911 910	Pivot	2	-,-	1	21
110	2 610 911 568	Handle	1	-,-	1	29
111	2 610 911 552	Saw Table	2	-,-	1	50
112	2 610 911 866	Knob	2	-,-	1	24
113	2 610 911 876	Pointer	2	-,-	1	12
114	2 610 911 553	Stop Rail	2	-,-	1	41
115	2 610 911 913	Leaf Spring	2	-,-	1	11
116	2 610 911 912	Support	2	-,-	1	11
117	2 610 911 864	Bolt	2	-,-	1	17
118	2 610 911 917	Compression Spring	2	-,-	1	13
119	2 610 320 126	Washer	2	-,-	1	11
120	2 610 911 936	Locking Lever	2	-,-	1	24
121	2 610 911 863	Sliding Plate	2	-,-	2	20
122	2 610 911 658	Warning Plate	2	-,-	2	15
123	2 610 911 554	Extension Stand	2	-,-	1	40
124	2 610 911 920	Rubber Bushing	2	-,-	1	10
125	2 610 911 935	Hexagon Socket Wrench 6 MM	2	-,-	1	19
126	2 610 911 919	Threaded Plate	2	-,-	1	10
127	2 610 911 667	Warning Plate	2	-,-	1	15
128	2 610 911 906	Washer	1	-,-	1	11
129	2 610 911 938	Ball Bearing	1	-,-	1	26
130	2 610 358 846	Rubber Bushing	2	-,-	1	11
131	2 610 911 666	Warning Plate	2	-,-	1	15
132	2 610 911 555	Safety Cover	1	-,-	1	41
133	2 610 911 921	Round Rubber	1	-,-	1	10
134	2 610 911 669	Warning Plate	1	-,-	1	15
135	2 610 911 934	Suction Socket	1	-,-	1	17
137	2 610 911 893	Screw	2	-,-	3	14
138	2 610 356 733	Screw	2	-,-	2	10
139	2 610 911 900	Screw	2	-,-	2	10
140	2 610 993 108	Spring retaining ring	1	-,-	1	10
145	2 610 911 901	Self-locking nut	2	-,-	1	11
146	2 610 911 918	Screw	2	-,-	1	13
150	2 610 911 871	Screw	1	-,-	1	12

Item	Part Number	Description	Illustration	Price	Quantity	Price Group
151	2 610 911 668	Warning Plate	1	-,-	1	15
152	2 610 911 916	Deflector	1	-,-	1	18
154	2 610 911 922	Bearing Pedestal	1	-,-	1	39
155	2 610 911 591	Pipe	1	-,-	1	44
162	2 610 911 569	Insert	1	-,-	2	13
163	2 610 327 868	Nut	1	-,-	2	10
164	2 610 911 923	Screw	1	-,-	1	12
165	2 610 993 104	Screw	1	-,-	4	11
166	2 610 993 221	Plain Washer	2	-,-	5	10
167	2 610 992 356	Spring retaining ring	1	-,-	1	10
650	2 610 911 939	Dust Bag	1	-,-	1	30
652	2 610 911 565	Key	1	-,-	1	19
653	2 610 910 841	Grip-Spring Tensioning E	2	-,-	1	36
810	2 610 997 207	Carbon-Brush Set	1	-,-	1	26
832	2 610 992 363	Grinding Spindle	1	-,-	1	43

Illustration - Type E

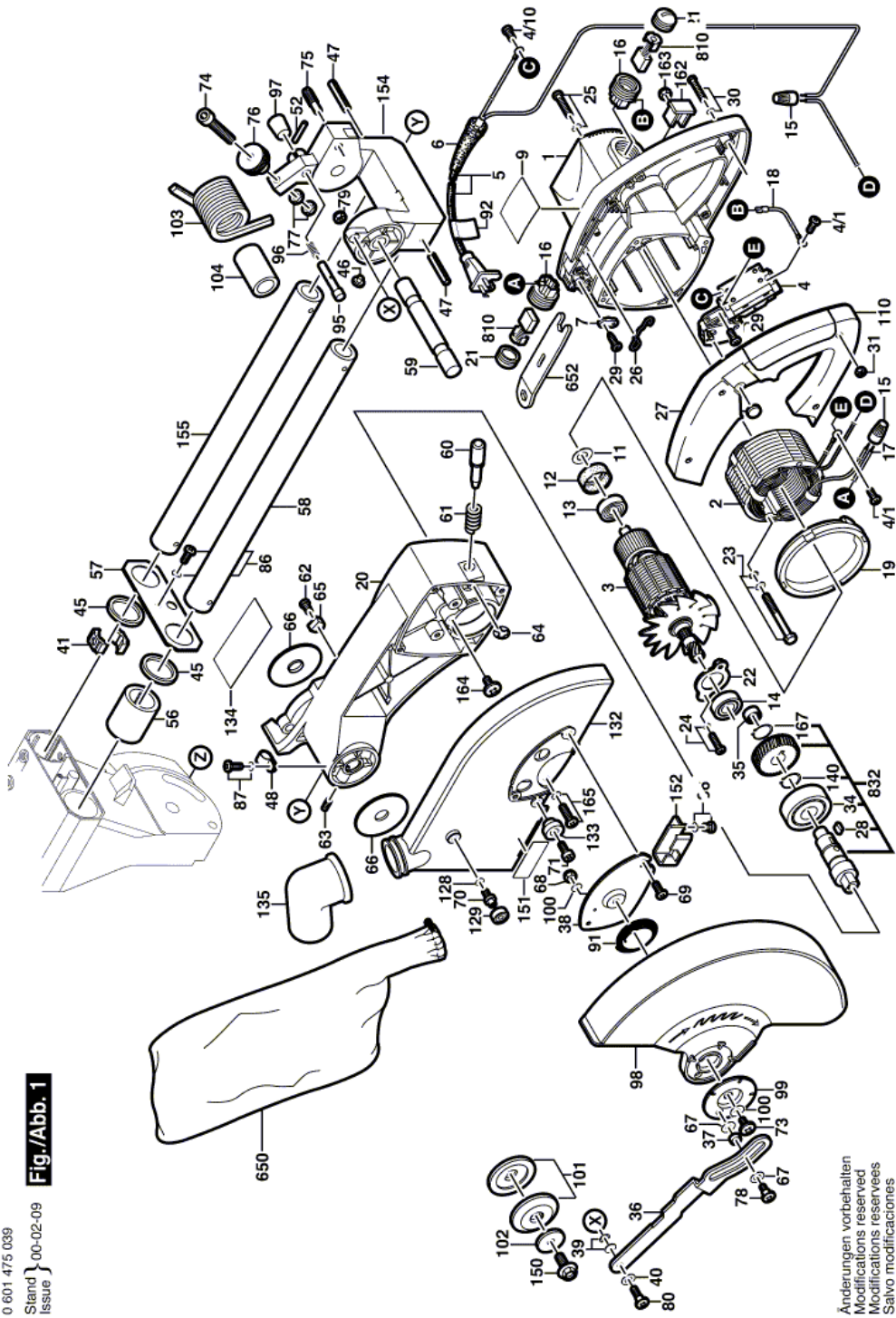
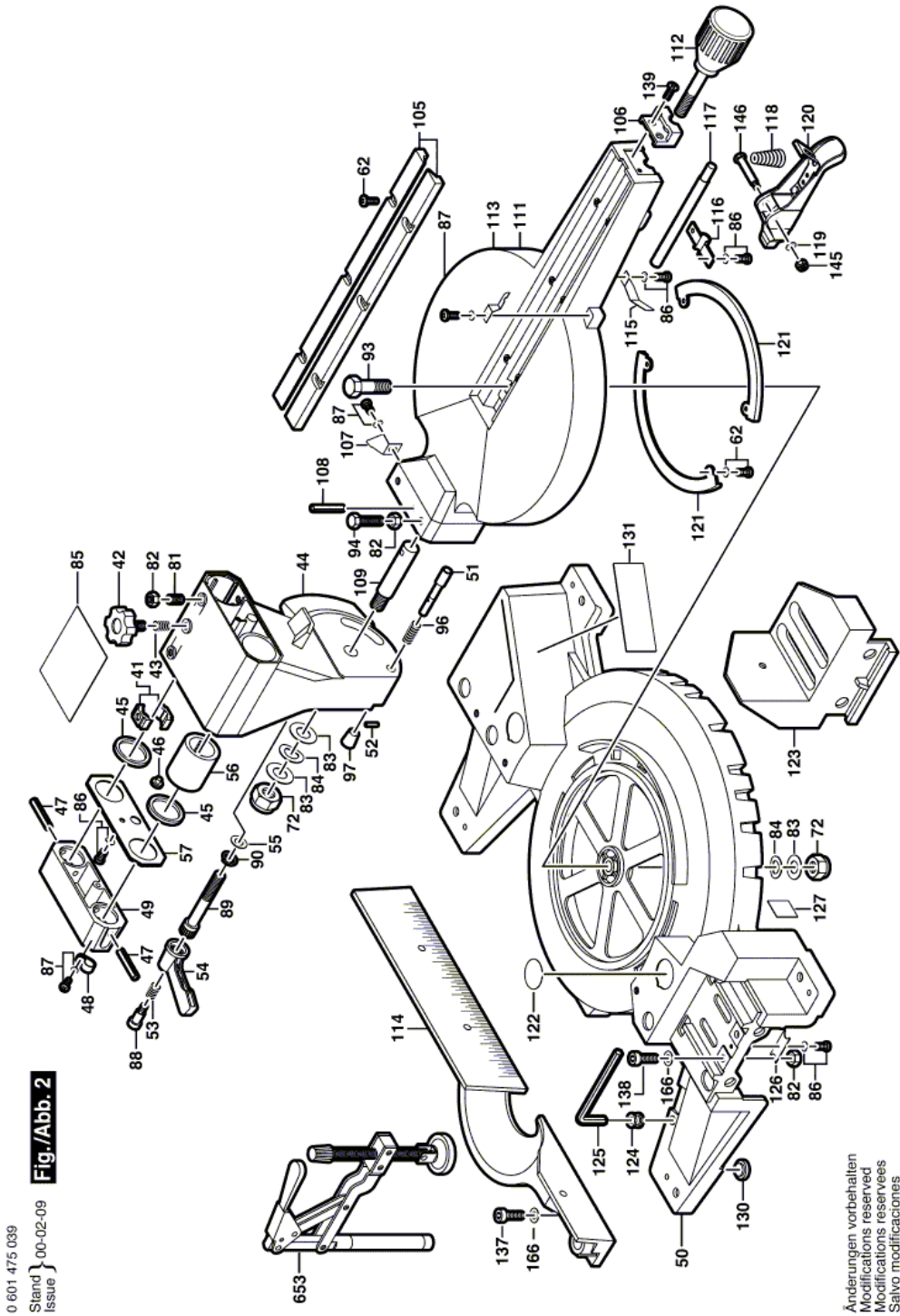


Illustration - Type E



0 601 475 039  
Stand }  
Issue } 00-02-09  
**Fig./Abb. 2**

Anderungen vorbehalten  
Modifications reserved  
Modificacions reserves  
Salvo modificaciones

Information subject to change without further notice.