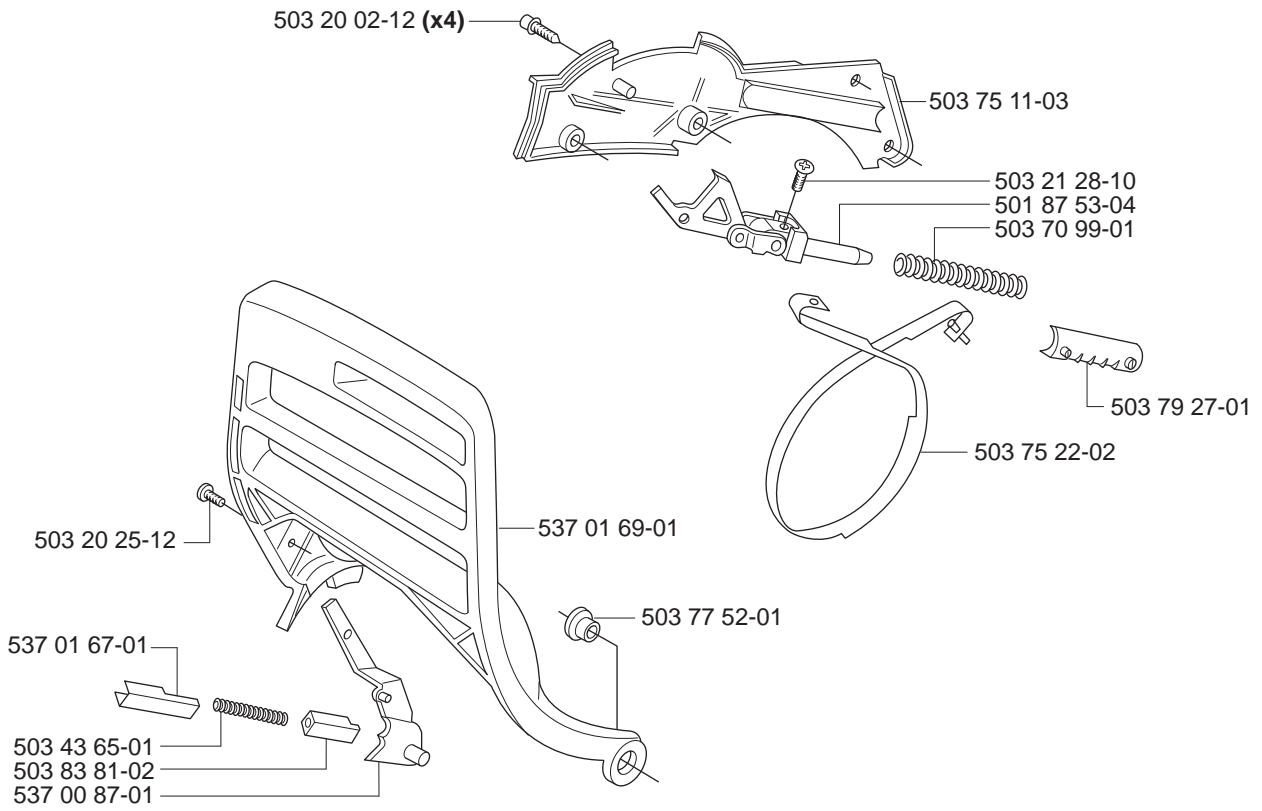
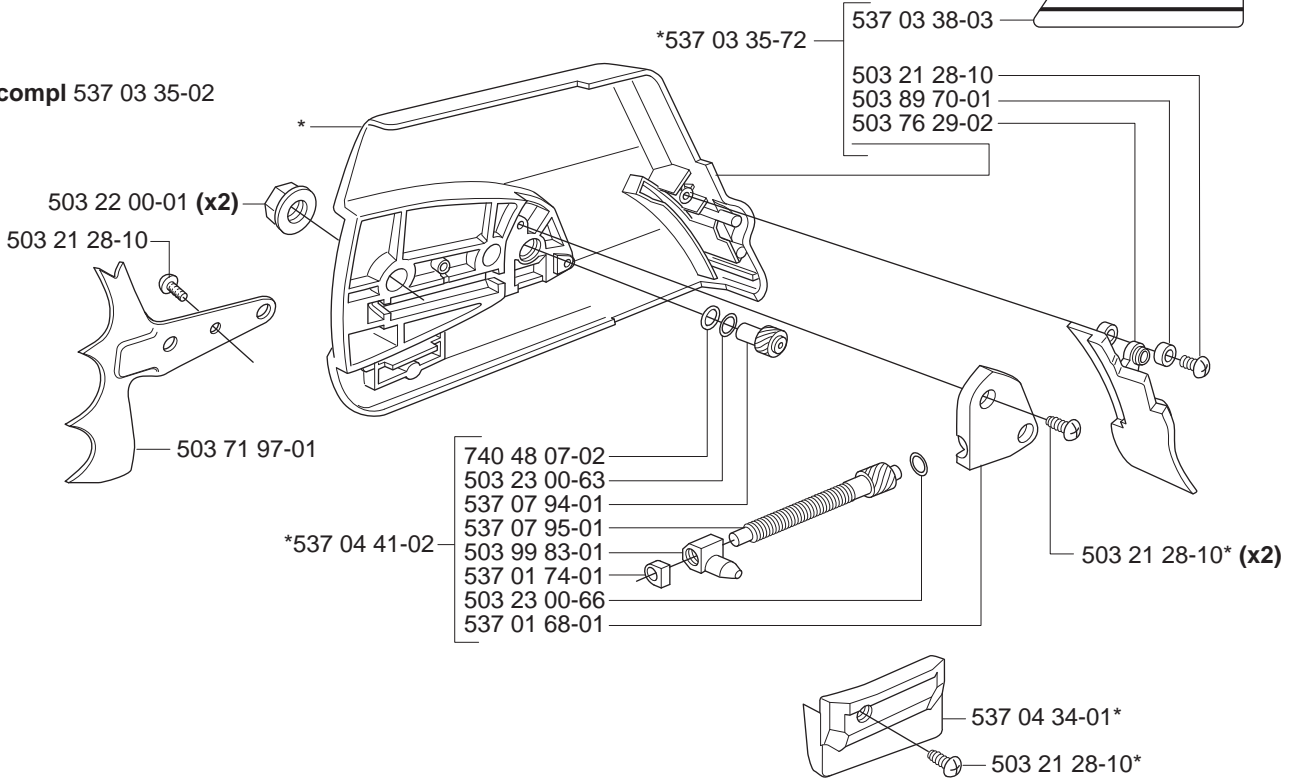


# A



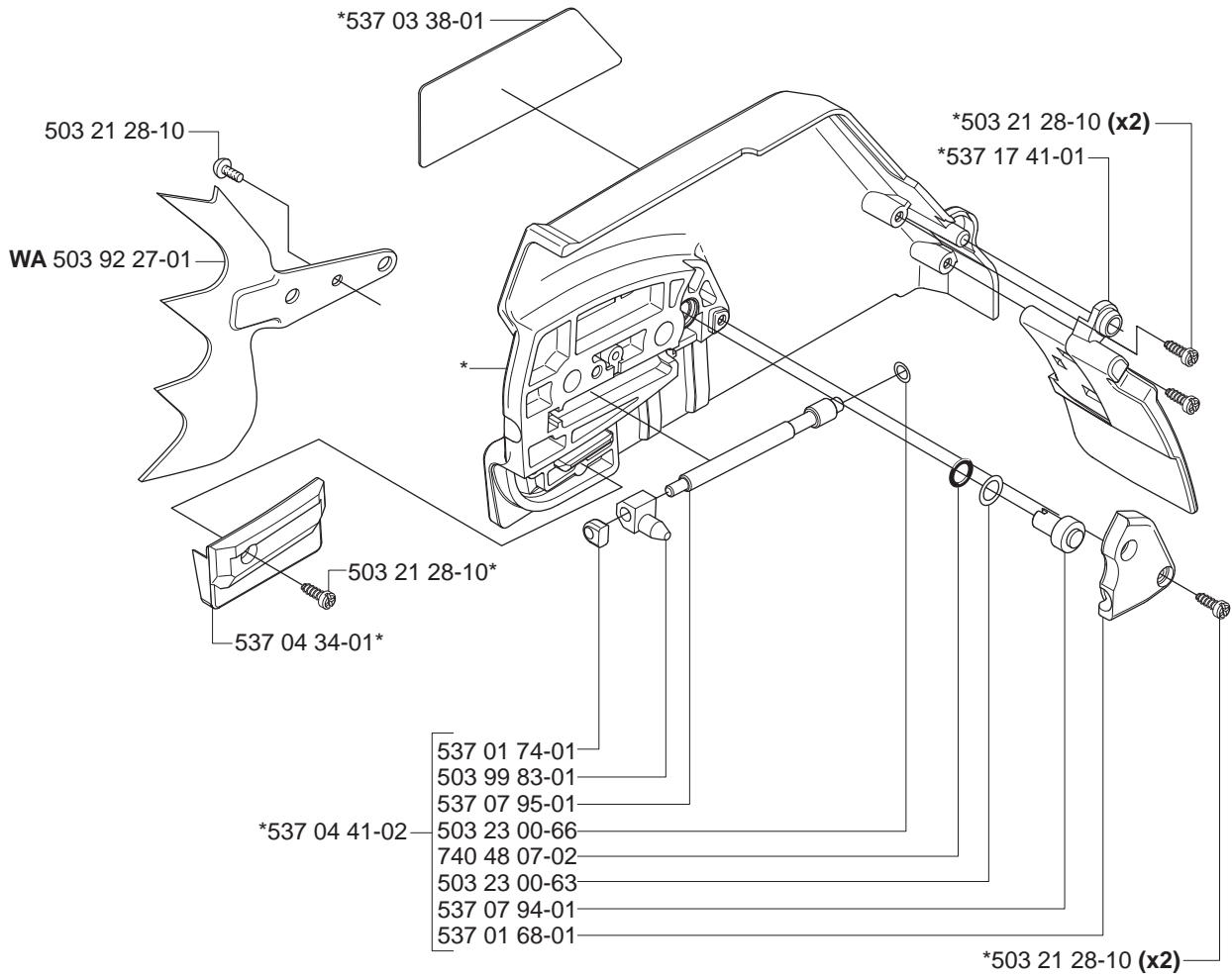
 Husqvarna

\*compl 537 03 35-02



**A**

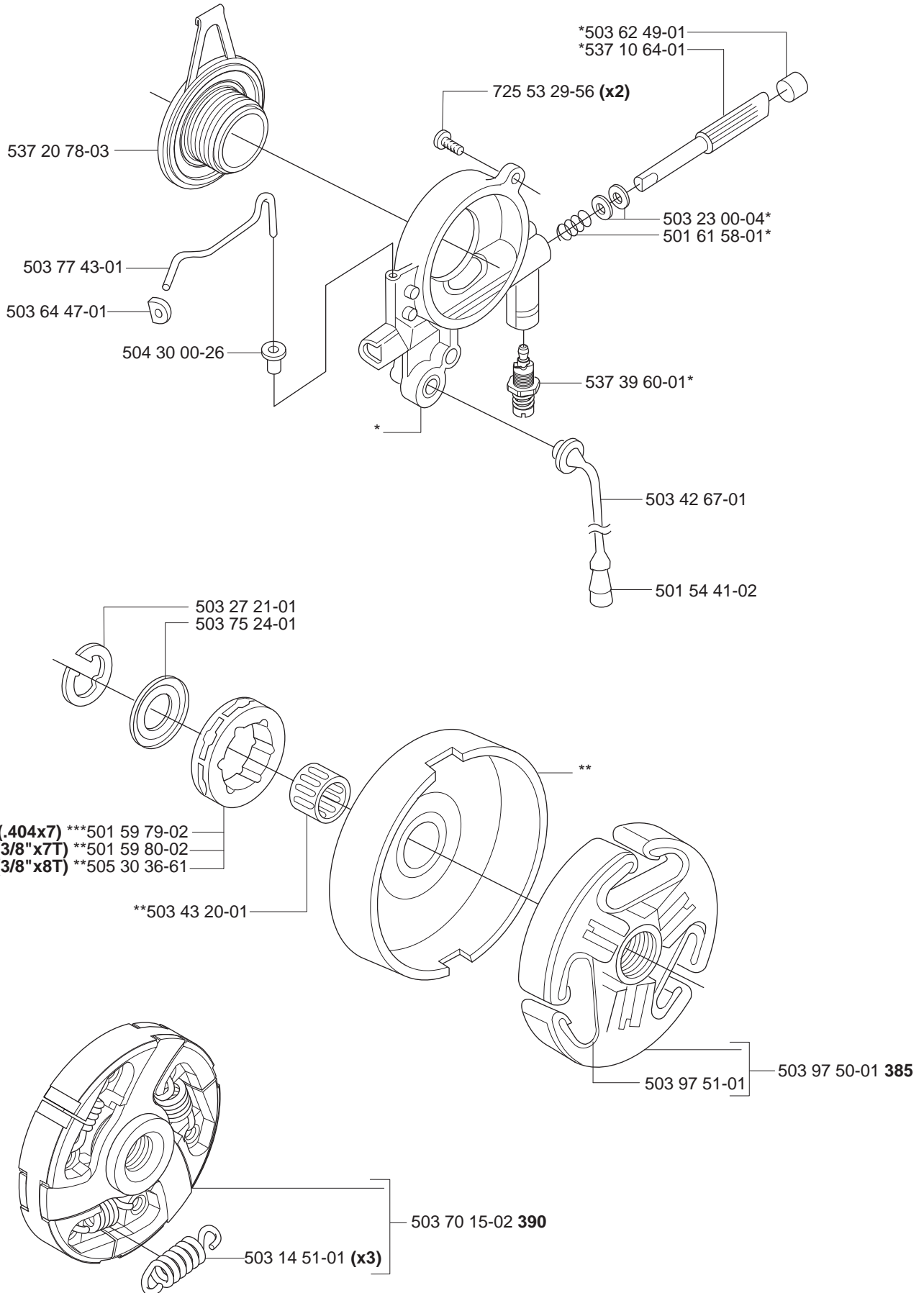
\*compl 537 33 10-01 WA



**B**

**\*\*compl 537 13 79-71 (3/8"x7T)**  
**\*\*compl 537 13 79-72 (3/8"x8T)**  
**\*\*\*compl 537 13 79-02 (.404"x7T)**

**\*compl 503 52 13-05**

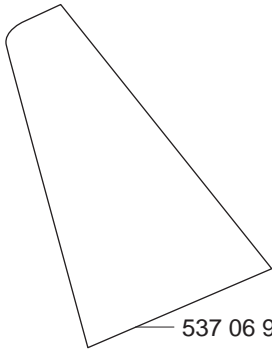


**C**

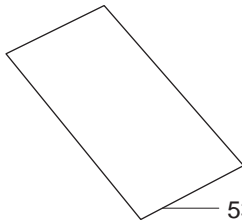
\*compl 537 00 07-01 Std  
\*\*compl 537 00 07-02 Hd



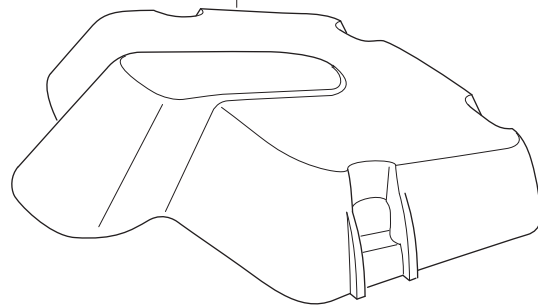
503 98 74-01\* \*\*



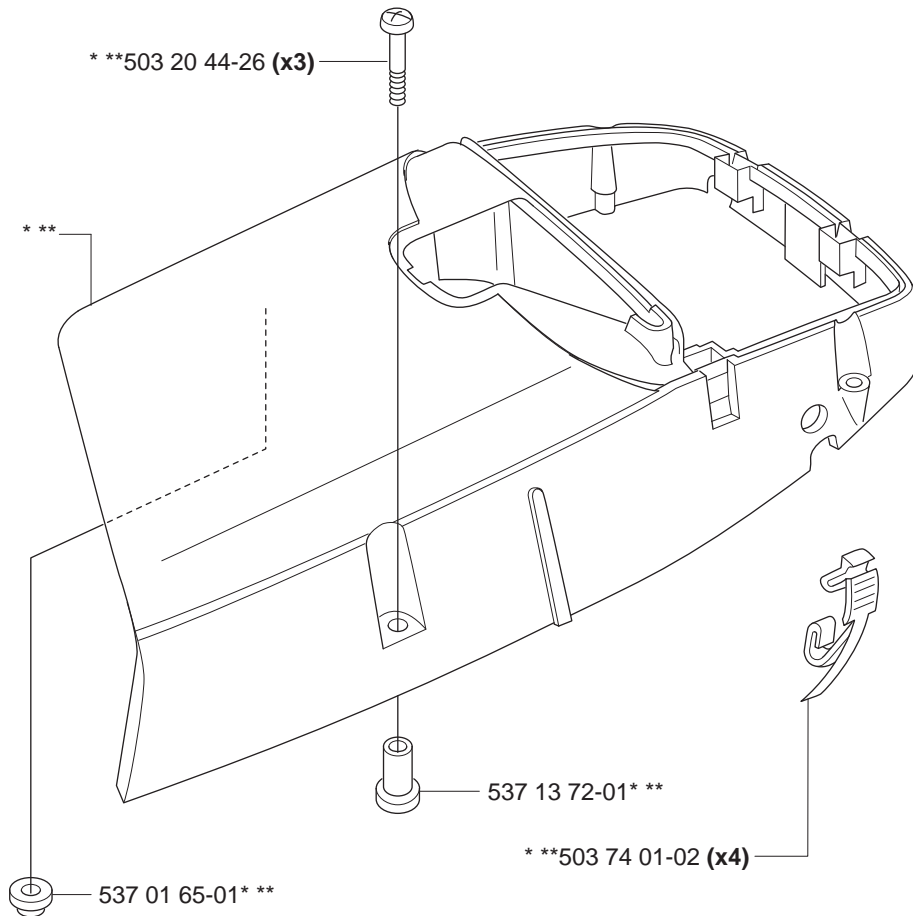
537 06 96-01\* \*\*



537 07 23-01\* \*\*

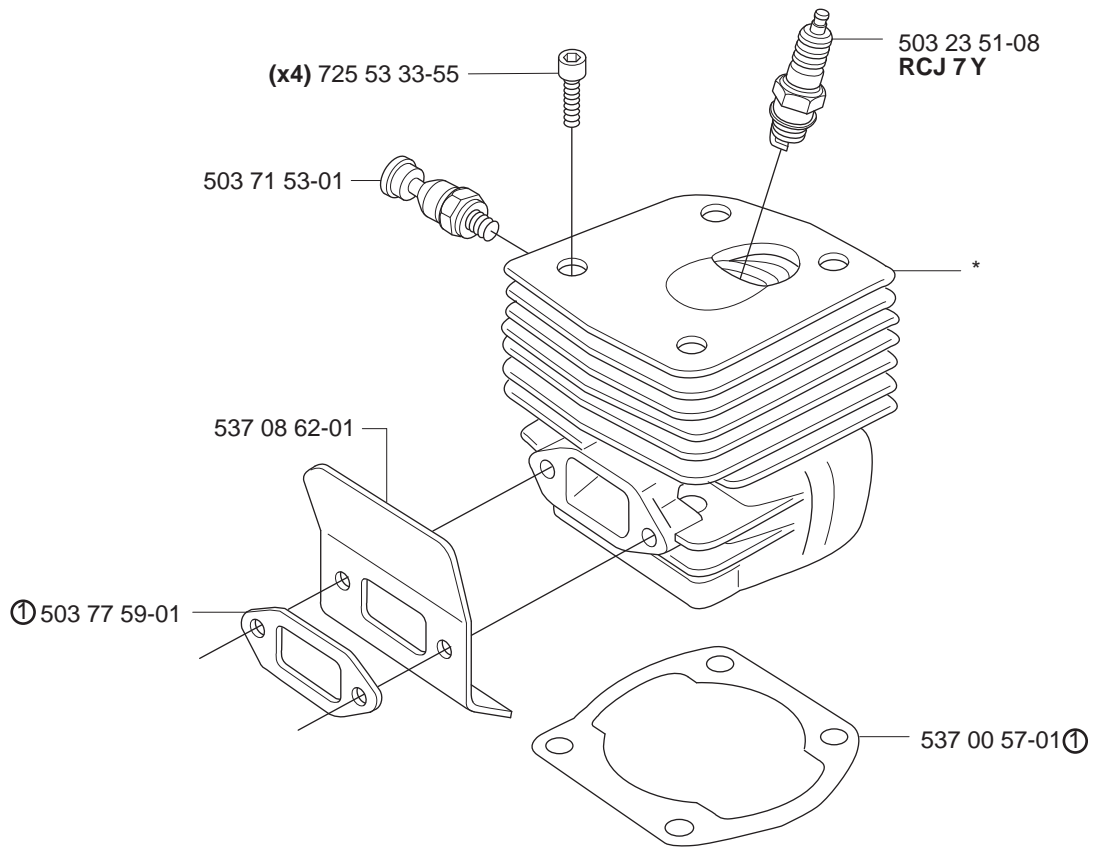


537 00 09-01\* Std  
537 00 10-01\*\* Hd

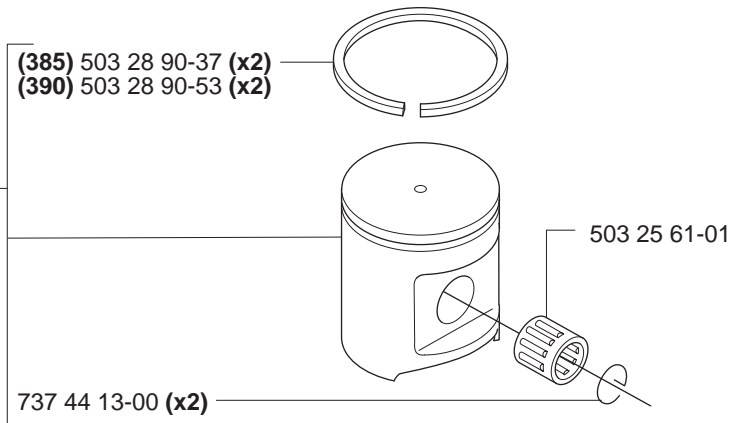


**D**

\*compl 537 16 97-71 (385)  
\*compl 544 00 65-02 (390)

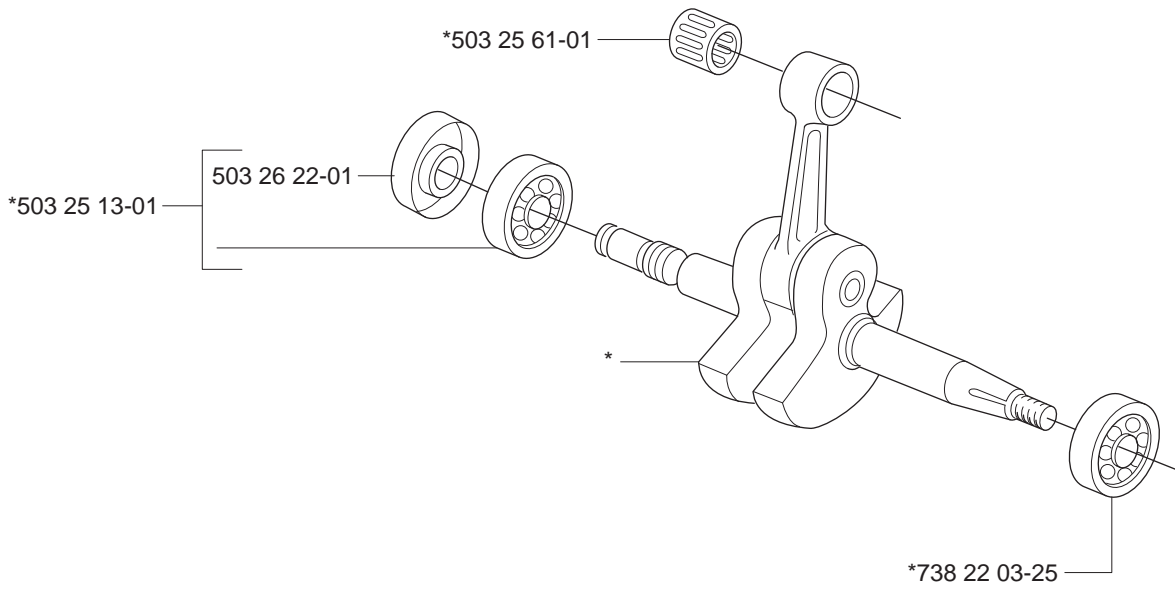


\*compl 537 16 98-71 (385)  
\*compl 537 42 02-02 (390)

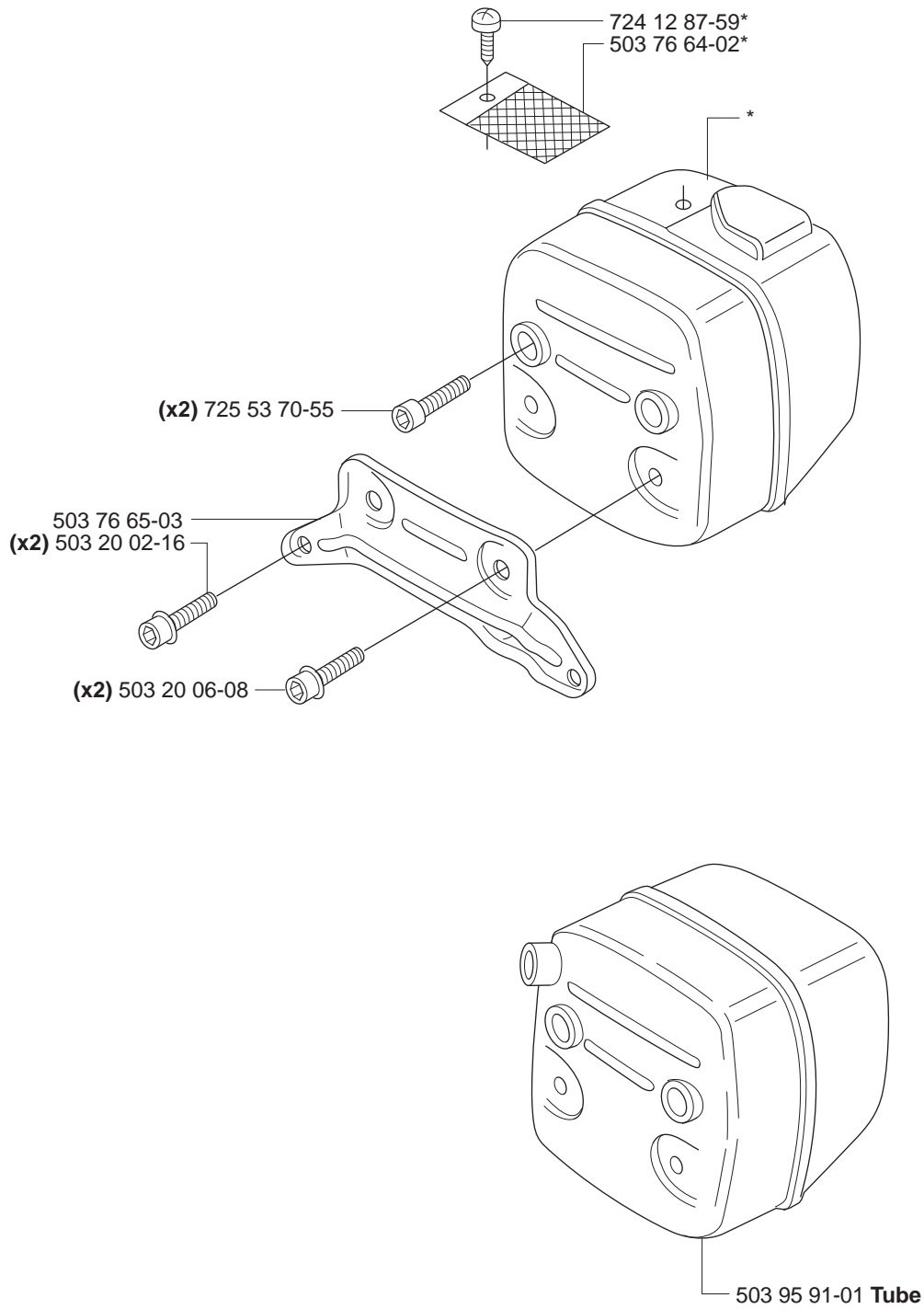


**E**

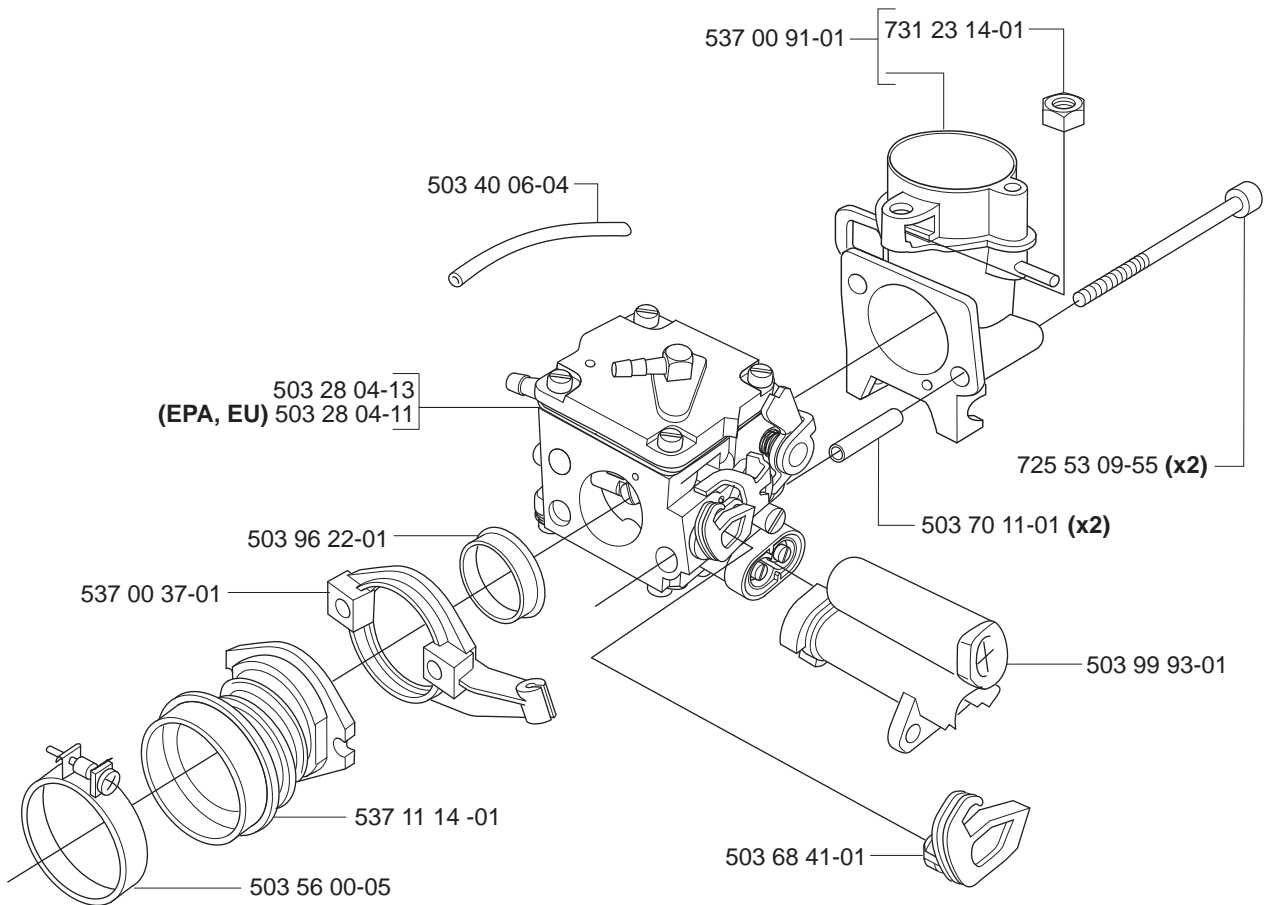
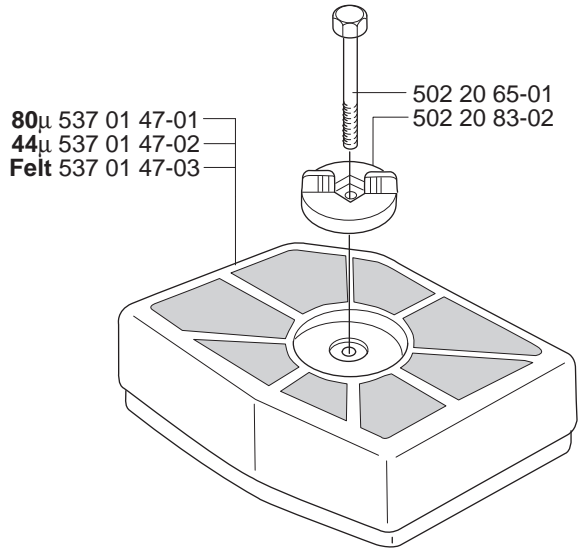
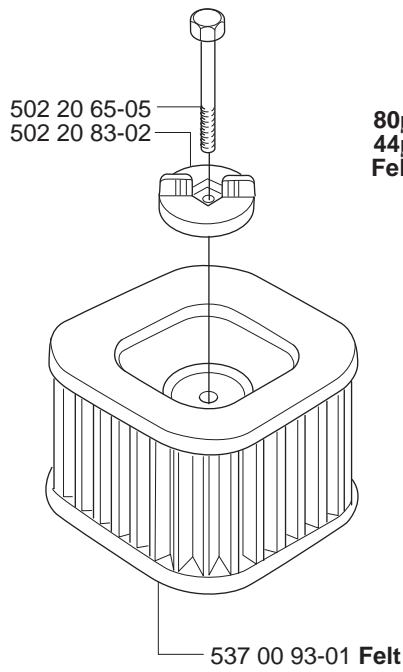
\*compl 503 99 34-04



**F** compl 503 95 90-03 Jungle  
\*compl 503 95 90-04 DF



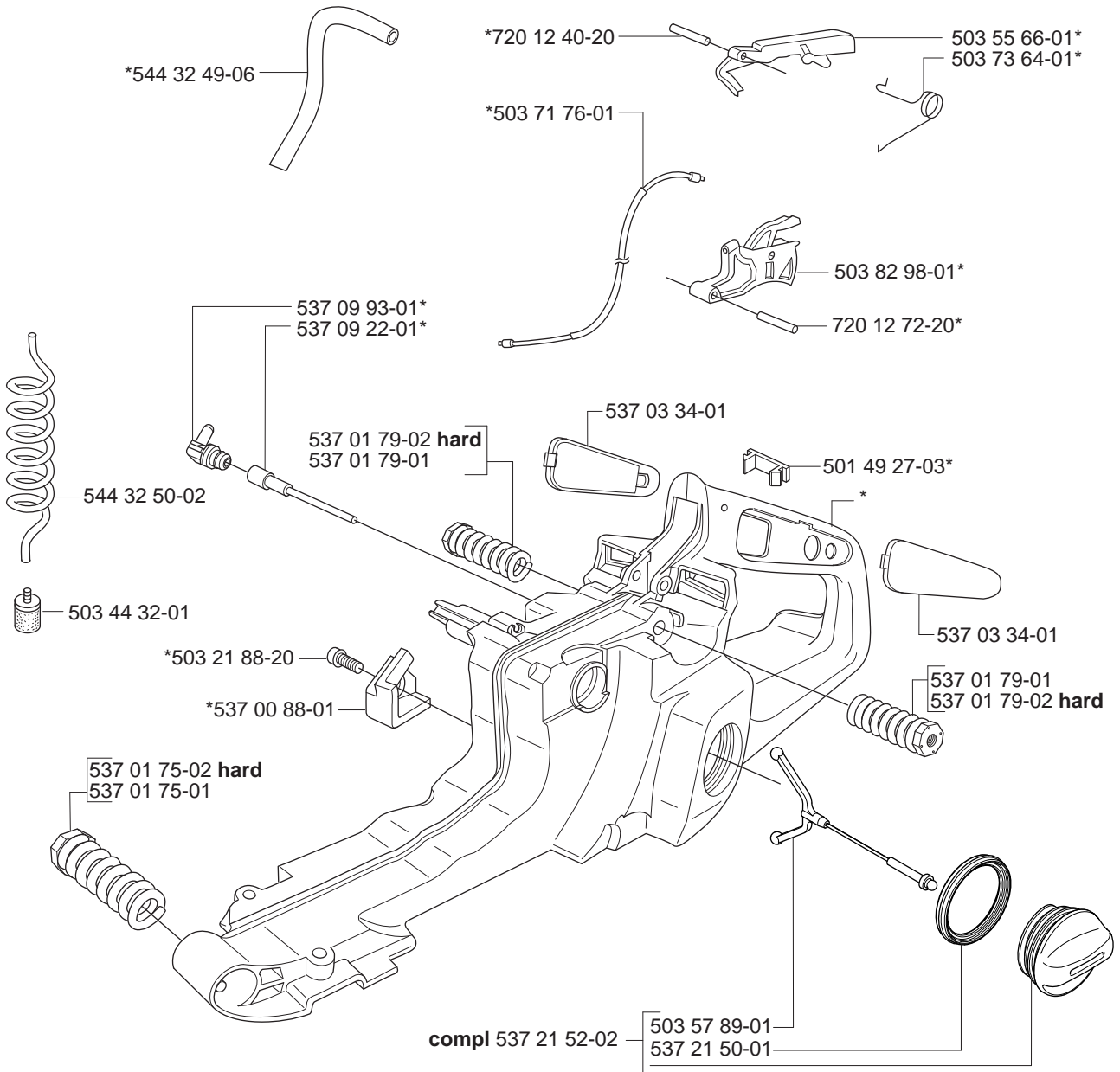
# G





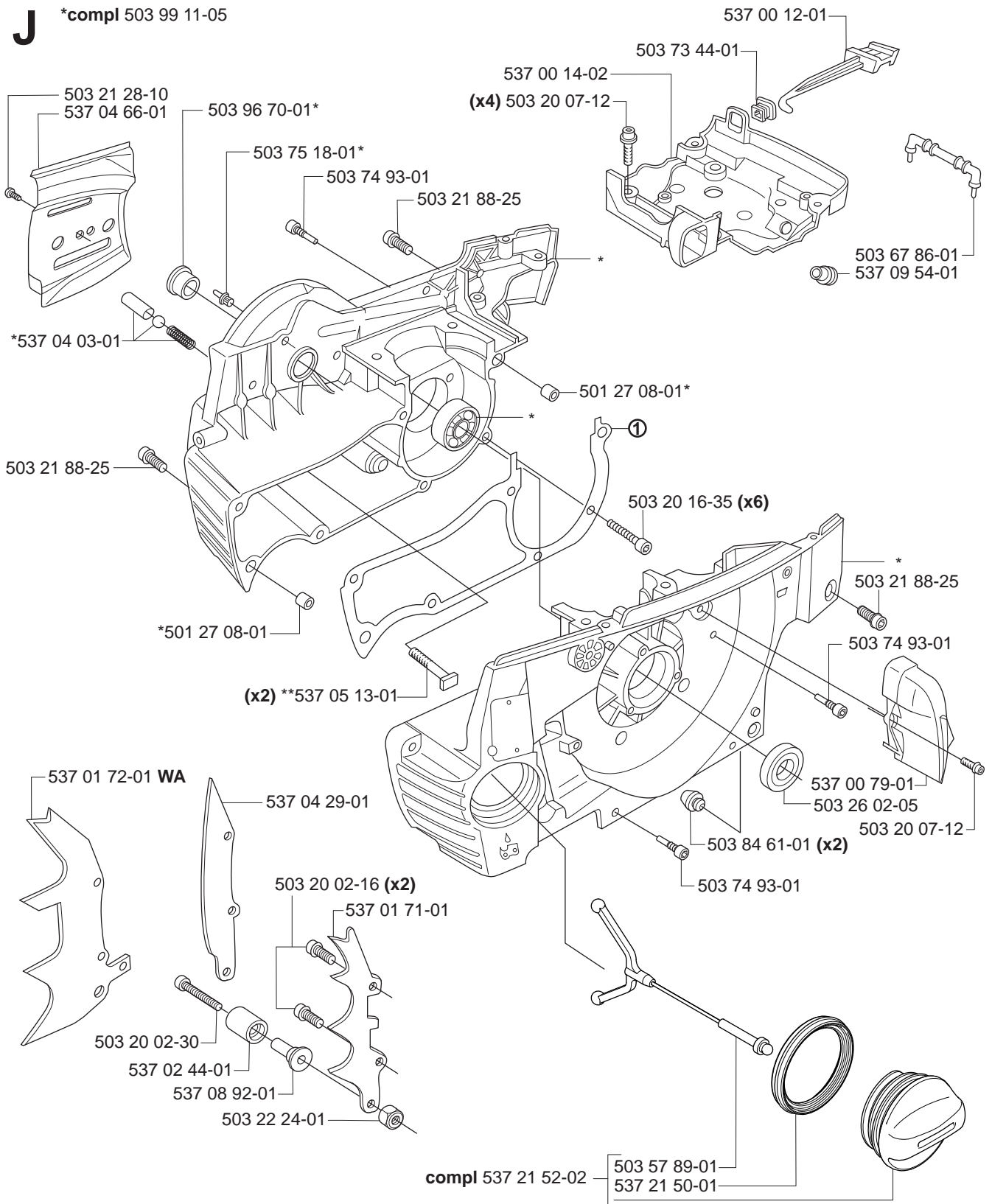
H

\*compl 537 00 03-71

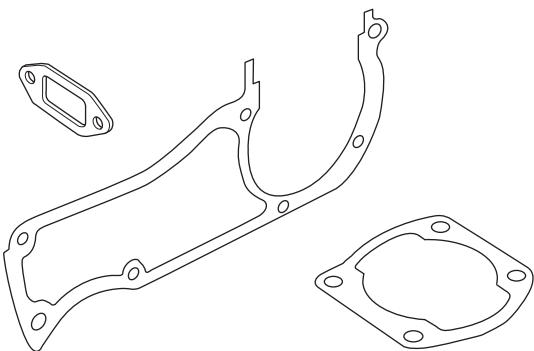


**J**

\*compl 503 99 11-05



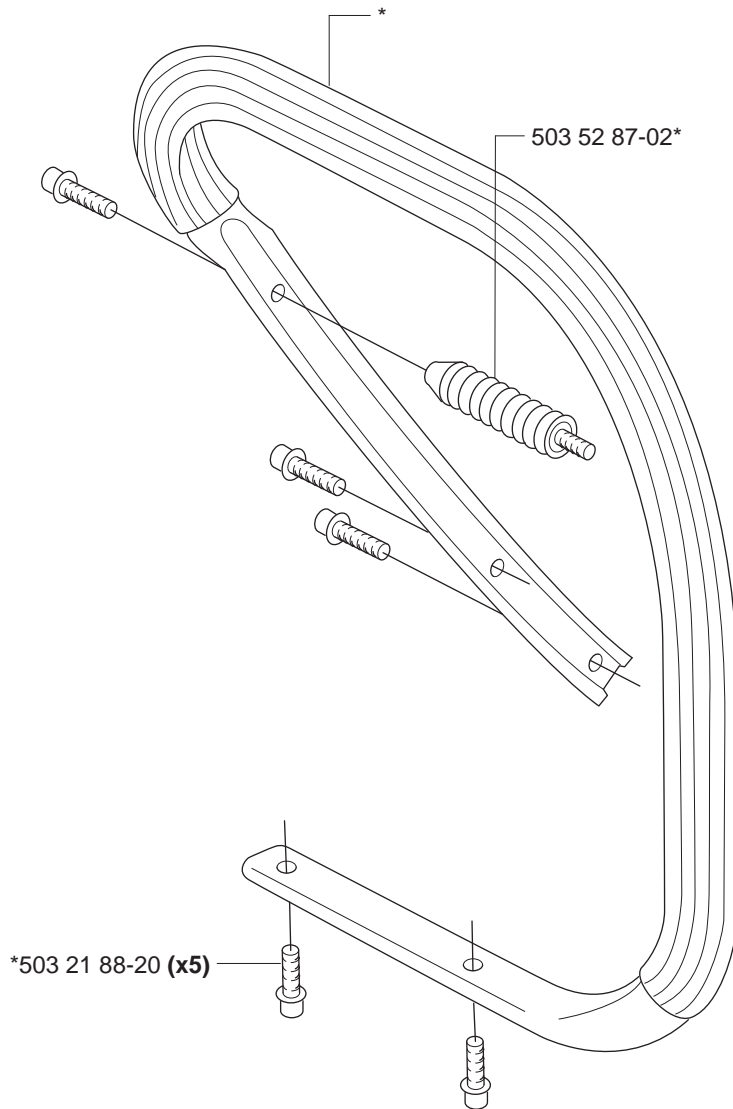
① 537 03 39-01  
**Packningssats**  
**Set of gaskets**  
**Dichtungssatz**  
**Jeu de joints**  
**Juego de juntas**



**K**

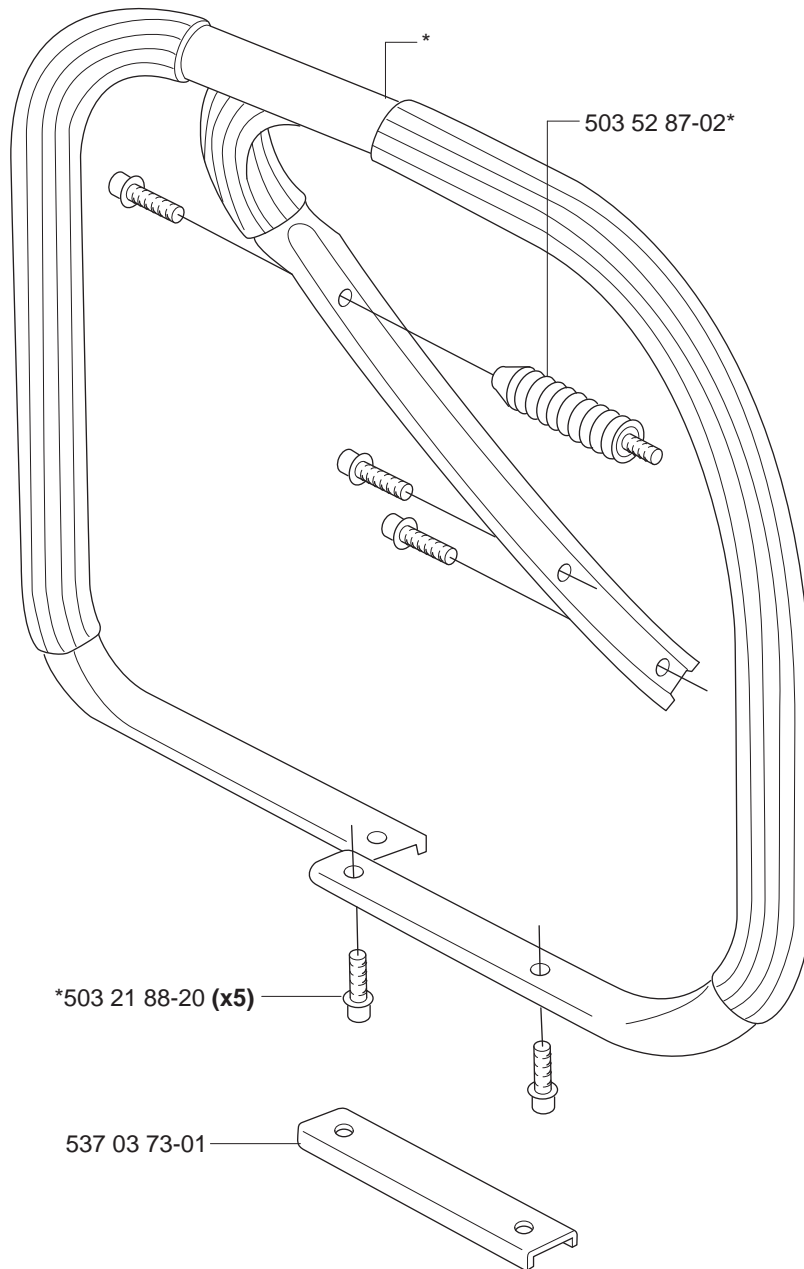
\*compl 503 98 66-71

\*compl 503 98 66-72 (G)

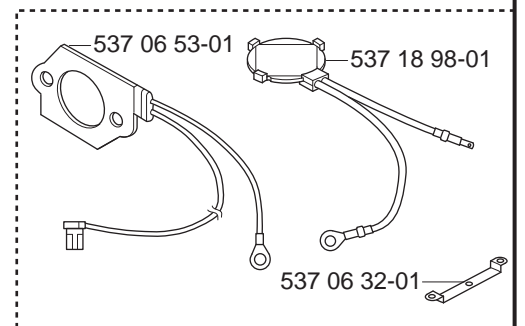
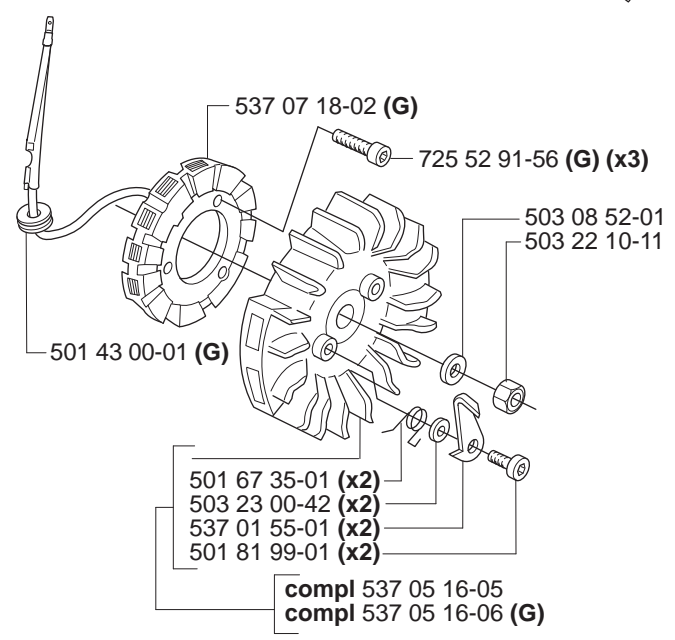
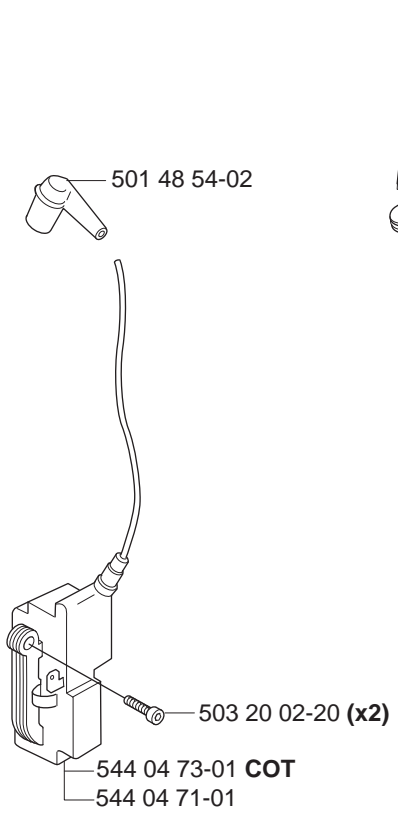
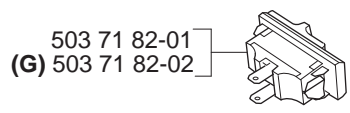
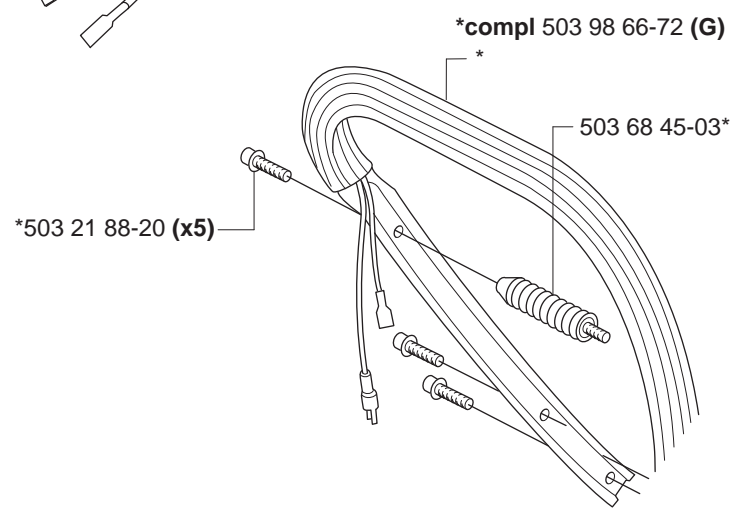
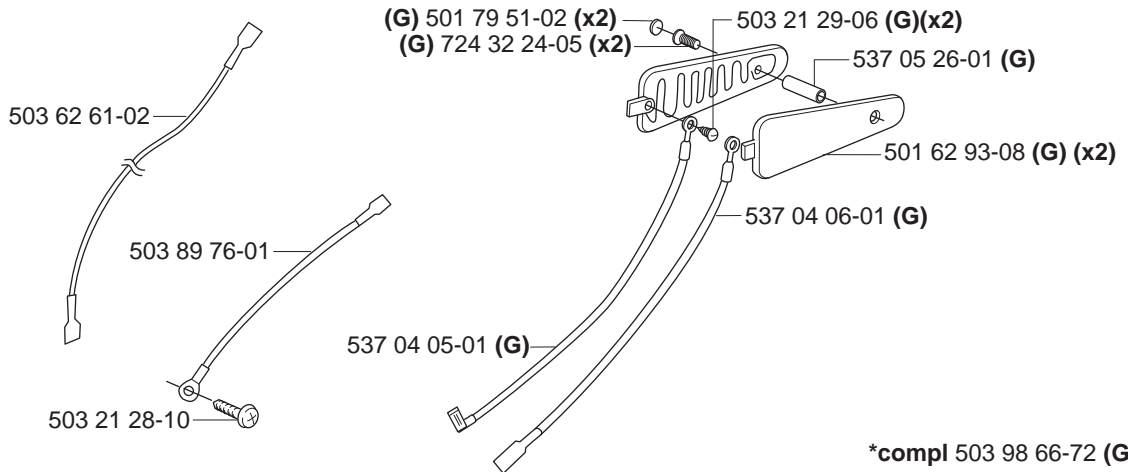




\*compl 503 98 67-71 WA  
\*compl 503 98 67-02 WA (G)

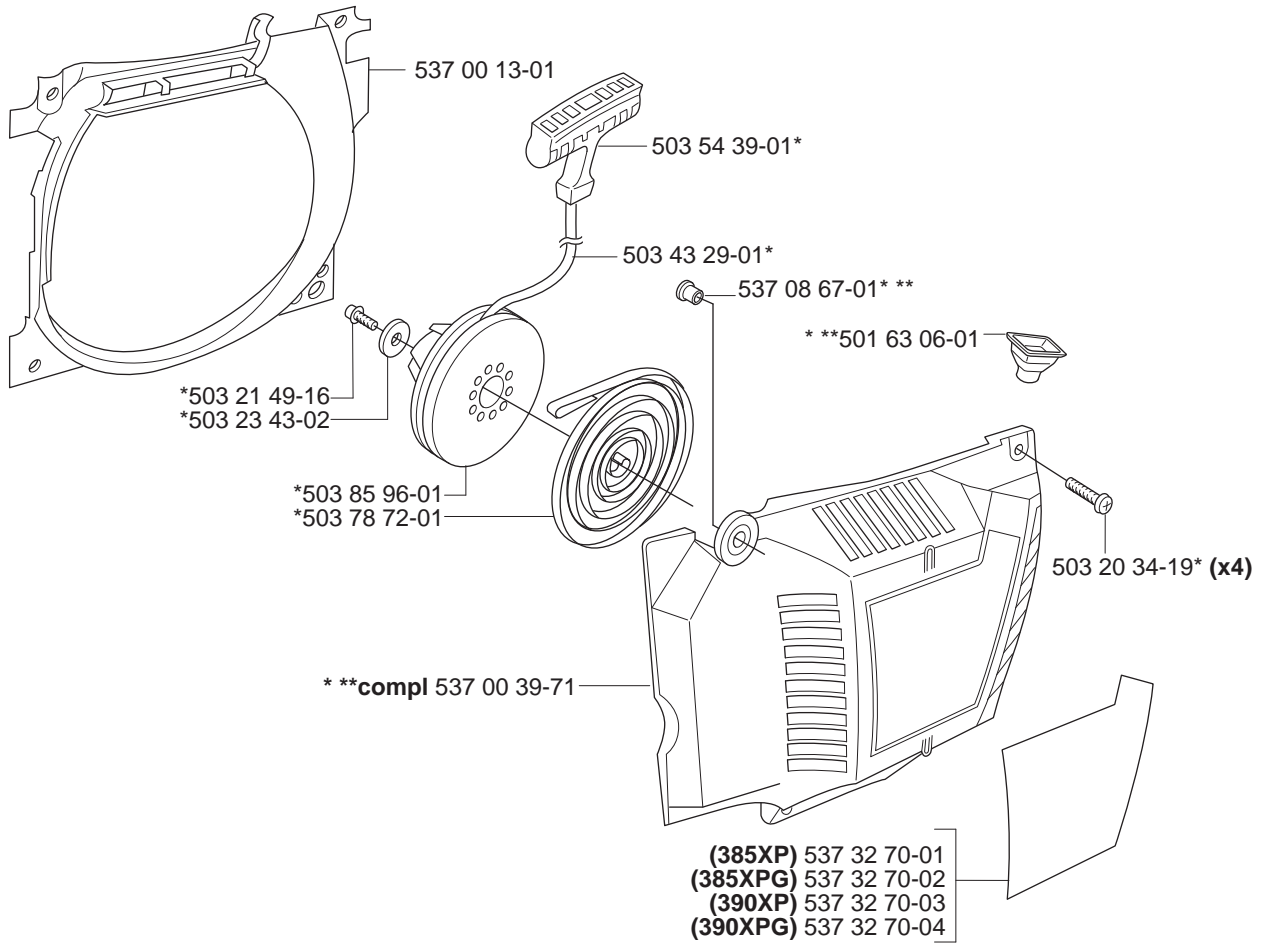


# M

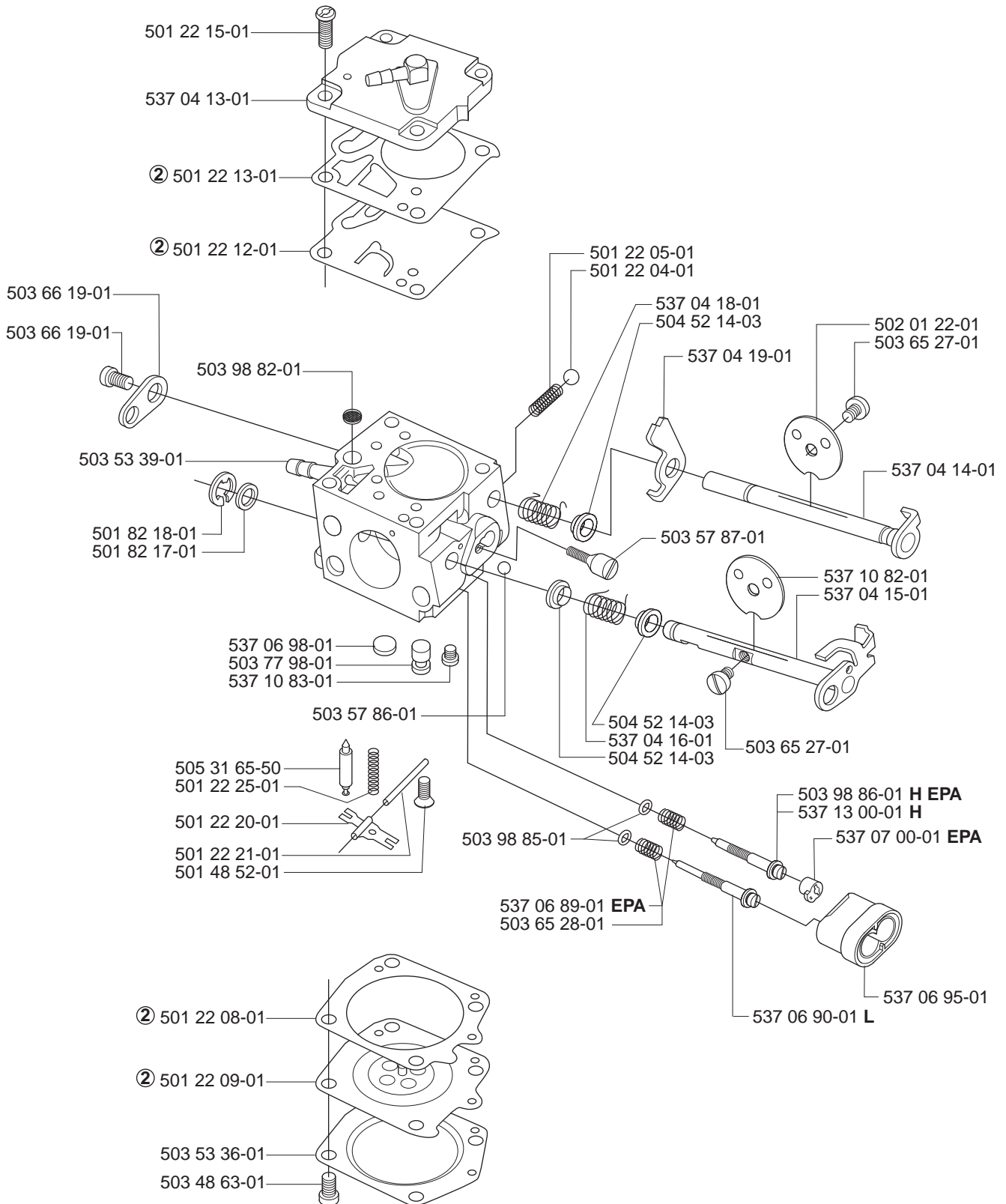


**N**

\*compl 537 00 38-71



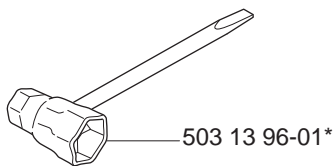
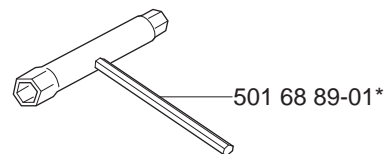
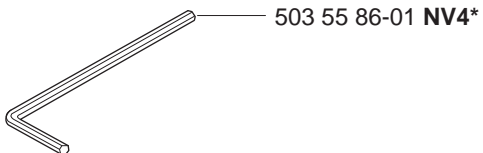
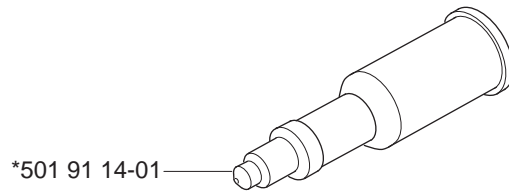
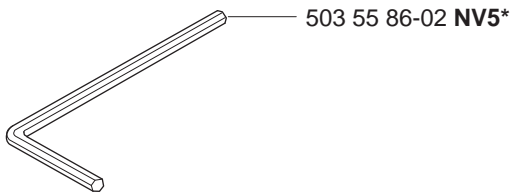
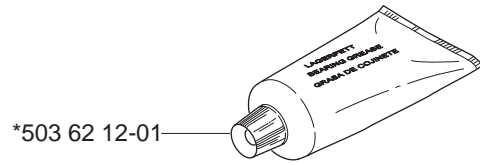
# Tilotson HS 299A Tilotson HS 296A EPA



② 501 49 48-02  
**Packningssats**  
**Set of gaskets**  
**Dichtungssatz**  
**Jeu de joints**  
**Juego de juntas**

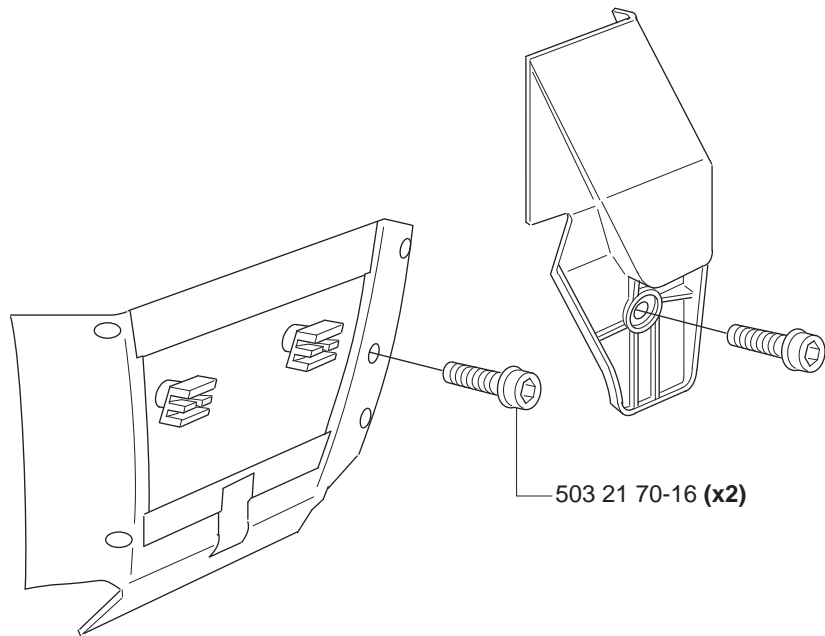
**Q** Accessories  
Zubehöre  
Accessories  
Accessorios  
Tillbehör

\*compl 503 55 85-02





**Q** WINTER KIT  
compl 537 04 38-01



R



compl 503 52 13-04

## Up to B0500045

