

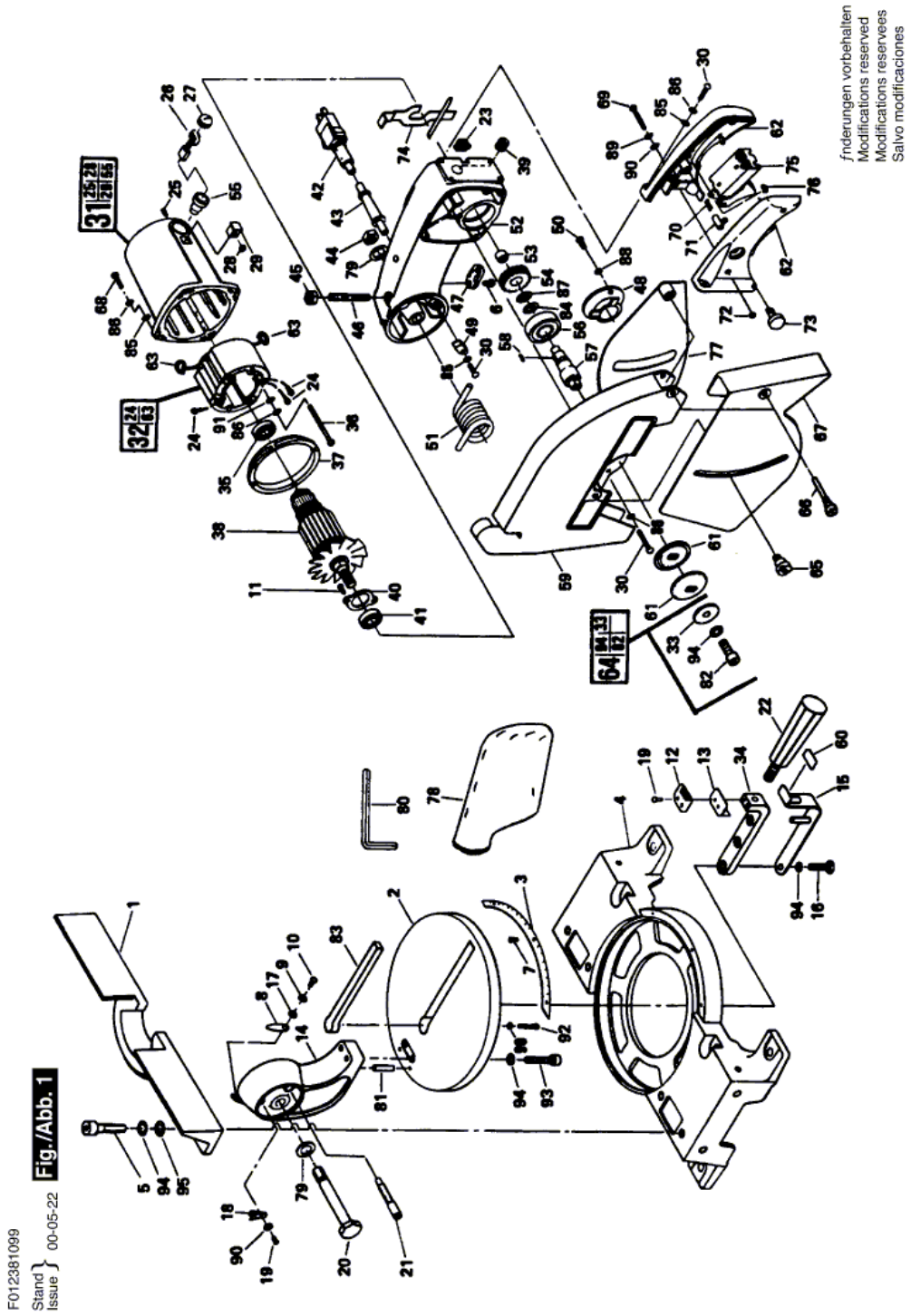
Multi-Saw - F 012 381 099 - 3810 TYPE 2

Item	Part Number	Description	Illustration	Price	Quantity	Price Group
1	2 610 356 400	Self-locking nut	1	-,-	1	-
2	2 610 356 401	Guide	1	-,-	1	-
3	2 610 356 402	Plate	1	-,-	1	-
4	2 610 356 403	Base	1	-,-	1	-
5	2 610 356 436	Screw	1	-,-	4	-
6	2 610 351 129	Screw	1	-,-	2	-
7	2 610 024 791	Screw	1	-,-	3	-
8	2 610 351 164	Stop Plate	1	-,-	1	-
9	2 610 351 163	Washer	1	-,-	1	-
10	2 610 351 162	Screw	1	-,-	1	-
11	2 610 351 100	Screw	1	-,-	2	-
12	2 610 356 409	Plate	1	-,-	1	-
13	2 610 356 410	Plate	1	-,-	1	-
14	2 610 356 404	Support	1	-,-	1	-
15	2 610 356 411	Plate	1	-,-	1	-
16	2 610 356 435	Screw	1	-,-	1	-
17	2 610 356 431	Washer	1	-,-	1	-
18	2 610 351 166	Clip	1	-,-	1	-
19	2 610 351 167	Screw	1	-,-	3	-
20	2 610 351 168	Collar bolt	1	-,-	1	-
21	2 610 351 169	Screw	1	-,-	1	-
22	2 610 356 415	Collar bolt	1	-,-	1	-
23	2 610 351 125	Wiring Harness	1	-,-	1	-
24	2 610 316 596	Terminal	1	-,-	4	11
25	2 610 356 437	Set screw	1	-,-	2	10
26	2 610 351 104	Carbon Brush	1	-,-	2	-
27	2 610 351 105	Brush-Cover	1	-,-	2	-
28	2 610 351 107	Nut	1	-,-	2	11
29	2 610 351 106	Housing	1	-,-	2	-
30	2 610 351 109	Screw	1	-,-	8	-
31	2 610 352 861	Housing	1	-,-	1	-
32	2 610 902 868	Stator	1	-,-	1	-
33	2 610 356 414	Diffuser-Lenses Set	1	-,-	1	-

Item	Part Number	Description	Illustration	Price	Quantity	Price Group
34	2 610 356 405	Scale	1	-,-	1	-
35	2 610 042 699	Deep-Groove Ball Bearing	1	-,-	1	22
36	2 610 351 111	Screw	1	-,-	2	-
37	2 610 351 113	Baffle	1	-,-	1	-
38	2 610 356 406	Armature	1	-,-	1	-
39	2 610 351 126	Wiring Harness	1	-,-	1	-
40	2 610 351 116	Retaining Plate	1	-,-	1	-
41	2 610 015 361	Deep-Groove Ball Bearing	1	-,-	1	28
42	2 610 351 118	Power supply cord	1	-,-	1	-
43	2 610 351 119	Grommet	1	-,-	1	-
44	2 610 351 120	Nut	1	-,-	1	-
45	2 610 351 122	Nut	1	-,-	1	11
46	2 610 351 123	Screw	1	-,-	1	-
47	2 610 351 127	Clamp	1	-,-	1	-
48	2 610 351 145	Guide	1	-,-	1	-
49	2 610 351 131	Damping rubber	1	-,-	1	-
50	2 610 351 185	Screw	1	-,-	2	-
51	2 610 351 133	Spring	1	-,-	1	-
52	2 610 351 124	Gear Housing	1	-,-	1	-
53	2 610 351 134	Needle-Roller Bearing	1	-,-	1	-
54	2 610 356 413	Conversion Gear	1	-,-	1	-
55	2 610 351 103	Brush Holder	1	-,-	2	-
56	2 610 351 136	Ball Bearing	1	-,-	1	-
57	2 610 351 138	Spindle	1	-,-	1	-
58	2 610 351 137	Key	1	-,-	1	-
59	2 610 356 408	Upper Housing	1	-,-	1	-
60	2 610 351 176	Cover Plate	1	-,-	1	-
61	2 610 351 141	Washer	1	-,-	2	-
62	2 610 351 155	Handle	1	-,-	1	-
63	2 610 351 186	Spring	1	-,-	2	-
64	2 610 356 414	Diffuser-Lenses Set	1	-,-	1	-
65	2 610 351 147	Collar bolt	1	-,-	1	-
66	2 610 351 148	Collar bolt	1	-,-	1	-
67	2 610 351 146	Front Housing	1	-,-	1	-
68	2 610 351 150	Screw	1	-,-	4	-
69	2 610 351 149	Screw	1	-,-	3	-
70	2 610 351 151	Spring	1	-,-	1	-
71	2 610 351 152	Bolt	1	-,-	1	-
72	2 610 351 153	Nut	1	-,-	2	-
73	2 610 351 154	Locking Piece	1	-,-	1	-
74	2 610 351 121	Locking Piece	1	-,-	1	-
75	2 610 351 190	Switch Kit	1	-,-	1	-
76	2 610 351 157	Screw	1	-,-	2	-
77	2 610 351 144	Housing	1	-,-	1	-
78	2 610 356 424	Plate	1	-,-	1	-
79	2 610 351 142	Washer	1	-,-	2	-
80	2 610 351 173	Adjusting Wrench 6 MM	1	-,-	1	-
81	2 610 356 432	Bolt	1	-,-	2	-
82	2 610 356 414	Diffuser-Lenses Set	1	-,-	1	-
83	2 610 356 423	Washer	1	-,-	1	-
84	2 610 356 422	Locating ring	1	-,-	1	-
85	2 610 356 416	Handle	1	-,-	9	-
86	2 610 356 417	Washer	1	-,-	13	-

Item	Part Number	Description	Illustration	Price	Quantity	Price Group
87	2 610 356 421	O-Ring	1	-,-	1	-
88	2 610 356 427	Dust Bag	1	-,-	2	-
89	2 610 356 428	Washer	1	-,-	2	-
90	2 610 356 429	Washer	1	-,-	3	-
91	2 610 356 419	Washer	1	-,-	2	-
92	2 610 356 434	Screw	1	-,-	1	-
93	2 610 356 433	Screw	1	-,-	2	-
94	2 610 351 184	Washer	1	-,-	7	-
95	2 610 356 430	Washer	1	-,-	4	-

Illustration - Type E



Information subject to change without further notice.