

## Compound Mitre Saw - F 012 380 000 - 3800

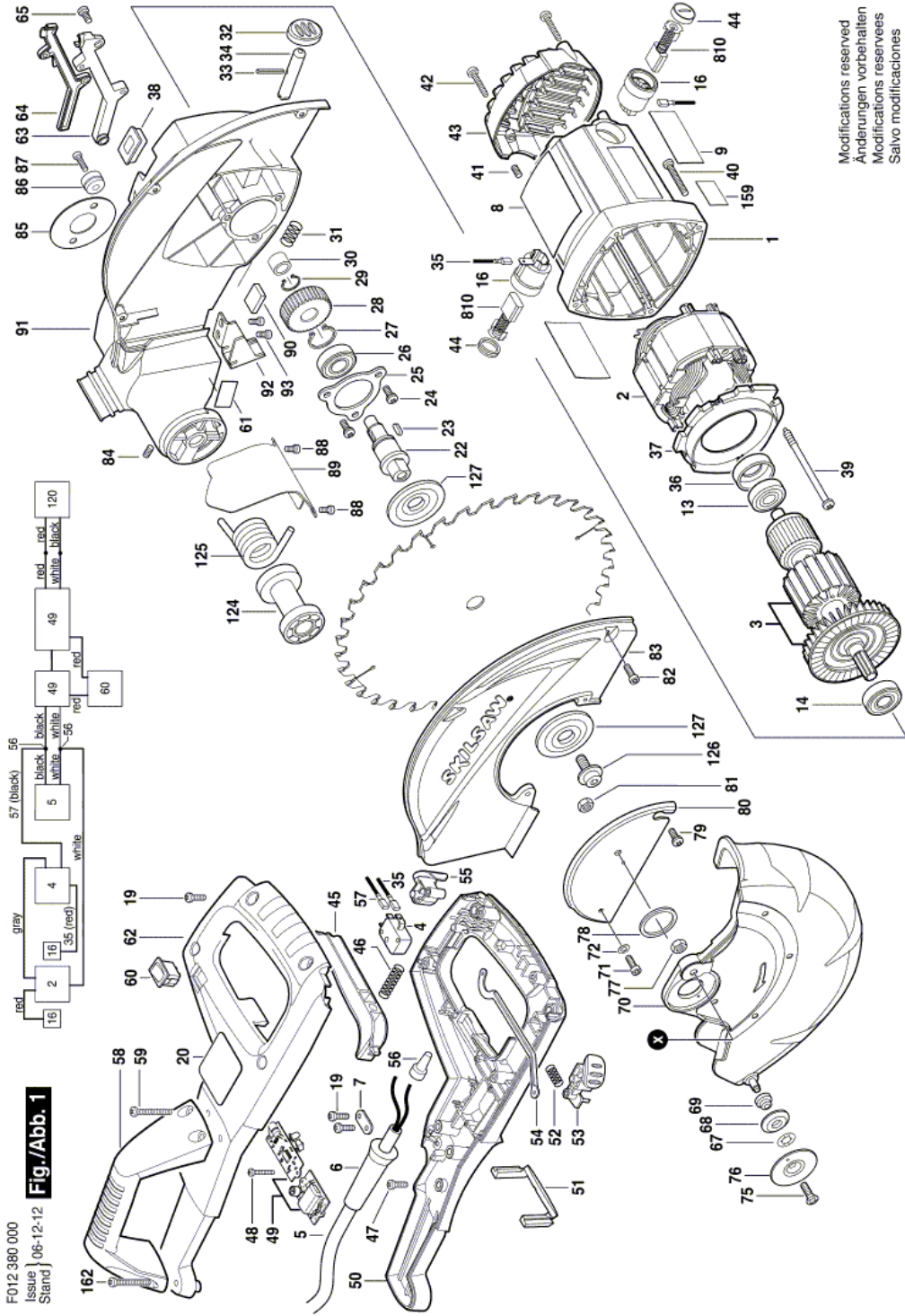
Item	Part Number	Description	Illustration	Price	Quantity	Price Group
1	2 610 946 115	Motor Housing	1	-,-	1	-
2	2 610 946 116	Field	1	-,-	1	-
3	2 610 946 117	Armature	1	-,-	1	-
4	2 610 946 118	Mains switch	1	-,-	1	-
5	2 610 946 119	Cord	1	-,-	1	-
6	2 610 946 120	Grommet	1	-,-	1	-
7	2 610 946 121	Clamp	1	-,-	1	-
8	2 610 946 122	Nameplate	1	-,-	1	-
9	2 610 946 123	Label	1	-,-	1	-
13	2 615 302 979	Ball Bearing	1	-,-	1	-
14	2 610 946 125	Ball Bearing	1	-,-	1	-
16	2 610 946 126	Brush Holder	1	-,-	2	-
19	2 610 946 127	Screw	1	-,-	6	-
20	2 610 946 128	Warning Label	1	-,-	1	-
22	2 610 946 129	Shaft	1	-,-	1	-
23	2 610 946 130	Pin	1	-,-	1	-
24	2 610 922 625	Screw	1	-,-	3	-
25	2 610 946 131	Plate	1	-,-	1	-
26	2 610 946 132	Ball Bearing	1	-,-	1	-
27	2 610 946 133	Retaining clip	1	-,-	1	-
28	2 610 946 134	Conversion Gear	1	-,-	1	-
29	2 610 946 135	Retaining clip	1	-,-	1	-
30	2 610 946 136	Needle-Roller Bearing	1	-,-	1	-
31	2 610 910 770	Spring	1	-,-	1	11
32	2 610 946 137	Cover	1	-,-	1	-
33	2 610 946 138	Pin	1	-,-	1	-
34	2 610 946 139	Locking Pin	1	-,-	1	-
35	2 610 946 140	Lead Wire	1	-,-	1	-
36	2 610 946 141	Rubber Bushing	1	-,-	1	-
37	2 610 946 142	Baffle	1	-,-	1	-
38	2 610 946 143	Grommet	1	-,-	1	-
39	2 610 946 144	Screw	1	-,-	2	-
40	2 610 946 145	Screw	1	-,-	4	-

Item	Part Number	Description	Illustration	Price	Quantity	Price Group
41	2 610 355 295	Screw	1	-,-	2	12
42	2 610 912 552	Screw	1	-,-	1	10
43	2 610 946 146	Housing Cover	1	-,-	1	-
44	2 610 911 487	Cover	1	-,-	2	18
45	2 610 946 147	Trigger	1	-,-	1	-
46	2 610 910 758	Spring	1	-,-	1	11
47	2 610 946 148	Screw	1	-,-	1	-
48	2 610 946 149	Screw	1	-,-	4	-
49	2 610 946 150	Sensor	1	-,-	1	-
50	2 610 946 151	Handle	1	-,-	1	-
51	2 610 946 152	Lens	1	-,-	1	-
52	2 610 946 153	Compression Spring	1	-,-	1	-
53	2 610 946 154	Button	1	-,-	1	-
54	2 610 946 155	Lever	1	-,-	1	-
55	2 610 946 156	Button	1	-,-	1	-
56	2 610 946 157	Terminal	1	-,-	2	-
57	2 610 946 158	Lead Wire	1	-,-	1	-
58	2 610 946 159	Handle	1	-,-	1	-
59	2 610 946 160	Screw	1	-,-	2	-
60	2 610 946 161	Mains switch	1	-,-	1	-
61	2 610 946 162	Warning Label	1	-,-	1	-
62	2 610 946 163	Handle	1	-,-	1	-
63	2 610 946 164	Housing Half	1	-,-	1	-
64	2 610 946 165	Housing Half	1	-,-	1	-
65	2 610 946 187	Screw	1	-,-	1	-
66	2 610 946 166	Screw	2	-,-	1	-
67	2 610 990 521	Spring retaining ring	1	-,-	1	10
68	2 610 990 518	Roller	1	-,-	1	11
69	2 610 990 522	Bearing	1	-,-	1	11
70	2 610 946 167	Protection	1	-,-	1	-
71	2 610 946 168	Screw	1	-,-	1	-
72	2 610 946 169	Spring Washer	1	-,-	1	-
73	2 610 946 170	Screw	2	-,-	1	-
74	2 610 946 171	Lever	2	-,-	1	-
75	2 610 946 172	Screw	1	-,-	1	-
76	2 610 946 173	Collar	1	-,-	1	-
77	2 610 355 332	Square Nut	1	-,-	1	11
78	2 610 946 174	Spring	1	-,-	1	-
79	2 610 355 278	Screw	1	-,-	1	15
80	2 610 946 175	Cover	1	-,-	1	-
81	2 615 303 042	Nut	1	-,-	1	-
82	2 610 946 176	Screw	1	-,-	3	-
83	2 610 946 177	Cover	1	-,-	1	-
84	2 610 946 178	Screw	1	-,-	2	-
85	2 610 946 179	Shim	1	-,-	1	-
86	2 610 946 180	Bushing	1	-,-	1	-
87	2 610 946 181	Trunnion	1	-,-	1	-
88	2 610 946 182	Screw	1	-,-	3	-
89	2 610 946 183	Cover	1	-,-	1	-
90	2 610 946 184	Pad	1	-,-	1	-
91	2 610 946 185	Pivoting Blade Guard	1	-,-	1	-
92	2 610 946 186	Chip Deflector	1	-,-	1	-
93	2 615 303 040	Screw	1	-,-	1	-

Item	Part Number	Description	Illustration	Price	Quantity	Price Group
94	2 610 946 188	Locking Lever	2	-,-	1	-
95	2 610 946 189	Washer	2	-,-	1	-
96	2 610 946 190	Pin	2	-,-	1	-
97	2 610 946 191	O-Ring	2	-,-	1	-
98	2 610 946 192	Trunnion	2	-,-	1	-
99	2 610 912 549	Hex Nut	2	-,-	1	10
100	2 610 946 193	Nut	2	-,-	1	-
101	2 610 946 194	Washer	2	-,-	1	-
102	2 610 355 264	Plain Washer	2	-,-	1	15
103	2 610 946 195	Shaft	2	-,-	1	-
104	2 610 946 196	Screw	2	-,-	1	-
105	2 610 946 197	Cover	2	-,-	1	-
106	2 610 946 198	Label	2	-,-	1	-
107	2 610 946 199	Knob	2	-,-	1	-
108	2 610 946 200	Nut	2	-,-	1	-
109	2 610 946 201	Washer	2	-,-	1	-
110	2 610 946 202	Support bracket	2	-,-	1	-
111	2 610 946 203	Slide Plate	2	-,-	1	-
112	2 610 946 204	Pointer	2	-,-	1	-
113	2 610 946 205	Pointer	2	-,-	1	-
114	2 610 911 466	Screw M 8x0.8-10	2	-,-	3	10
115	2 610 355 300	Screw	2	-,-	2	11
116	2 610 946 206	Scale	2	-,-	1	-
117	2 610 946 207	Screw	2	-,-	1	-
118	2 610 946 208	Trunnion	2	-,-	1	-
119	2 610 946 209	Pivot Shaft	2	-,-	1	-
120	2 610 946 210	Laser	1	-,-	1	-
121	2 610 946 211	Screw	2	-,-	2	-
122	2 610 946 212	Screw	2	-,-	2	-
123	2 610 946 213	Support	2	-,-	1	-
124	2 610 946 214	Sleeve	1	-,-	1	-
125	2 610 946 215	Torsion Spring	1	-,-	1	-
126	2 610 946 216	Trunnion	1	-,-	1	-
127	2 610 946 217	Flange	1	-,-	2	-
128	2 610 946 218	Holder	2	-,-	1	-
129	2 610 946 219	Sliding Plate	2	-,-	1	-
130	2 610 967 439	Nut	2	-,-	1	11
131	2 610 946 220	Lever	2	-,-	1	-
132	2 610 946 221	Washer	2	-,-	1	-
133	2 610 358 439	Plain Washer	2	-,-	1	10
134	2 610 946 222	Plate	2	-,-	1	-
135	2 610 967 438	Spring retaining ring	2	-,-	1	10
136	2 610 946 223	Trunnion	2	-,-	4	-
137	2 610 946 224	Pin	2	-,-	1	-
138	2 610 992 372	Stud bolt	2	-,-	1	11
139	2 610 946 225	Mitre Fence	2	-,-	1	-
140	2 610 946 226	Screw	2	-,-	2	-
141	2 610 946 227	Warning Label	2	-,-	2	-
142	2 610 946 228	Warning Label	2	-,-	1	-
143	2 610 946 229	Base	2	-,-	1	-
144	2 610 946 230	Warning Label	2	-,-	1	-
145	2 610 946 231	Screw	2	-,-	2	-
146	2 610 946 232	Scale	2	-,-	1	-

Item	Part Number	Description	Illustration	Price	Quantity	Price Group
147	2 610 946 233	Screw	2	-,-	4	-
148	2 610 946 234	Insert	2	-,-	1	-
149	2 610 946 235	Table	2	-,-	1	-
150	2 610 946 236	Washer	2	-,-	2	-
151	2 610 946 237	Screw	2	-,-	5	-
152	2 610 946 238	Spring	2	-,-	1	-
153	2 610 946 239	Arm Bracket	2	-,-	1	-
154	2 610 922 091	Screw	2	-,-	2	-
155	2 610 946 240	Plate	2	-,-	3	-
156	2 610 946 241	Indicator	2	-,-	1	-
157	2 610 946 242	Sleeve	2	-,-	1	-
158	2 610 946 243	Handle	2	-,-	1	-
159	2 610 946 244	Label	1	-,-	1	-
160	2 610 946 245	Hexagon Socket Wrench	2	-,-	1	-
161	2 615 303 046	Hexagon Socket Wrench	2	-,-	1	-
162	2 610 946 246	Screw	1	-,-	1	-
163	2 610 302 311	Washer	2	-,-	2	-
651	2 610 944 564	Dust Bag	2	-,-	1	-
652	2 610 944 565	Elbow	2	-,-	1	-
653	2 610 944 566	Clamp	2	-,-	1	-
654	2 610 944 567	Extension Shaft	2	-,-	2	-
655	2 610 944 568	Stop Block	2	-,-	1	-
656	2 610 944 569	Table	2	-,-	1	-
657	2 610 944 570	Stop Bracket	2	-,-	1	-
658	2 610 944 571	Stop Bracket	2	-,-	1	-
659	2 610 944 572	Knob	2	-,-	3	-
660	2 610 944 573	Washer	2	-,-	2	-
810	2 610 993 231	Carbon-Brush Set	1	-,-	1	28

Illustration - Type E

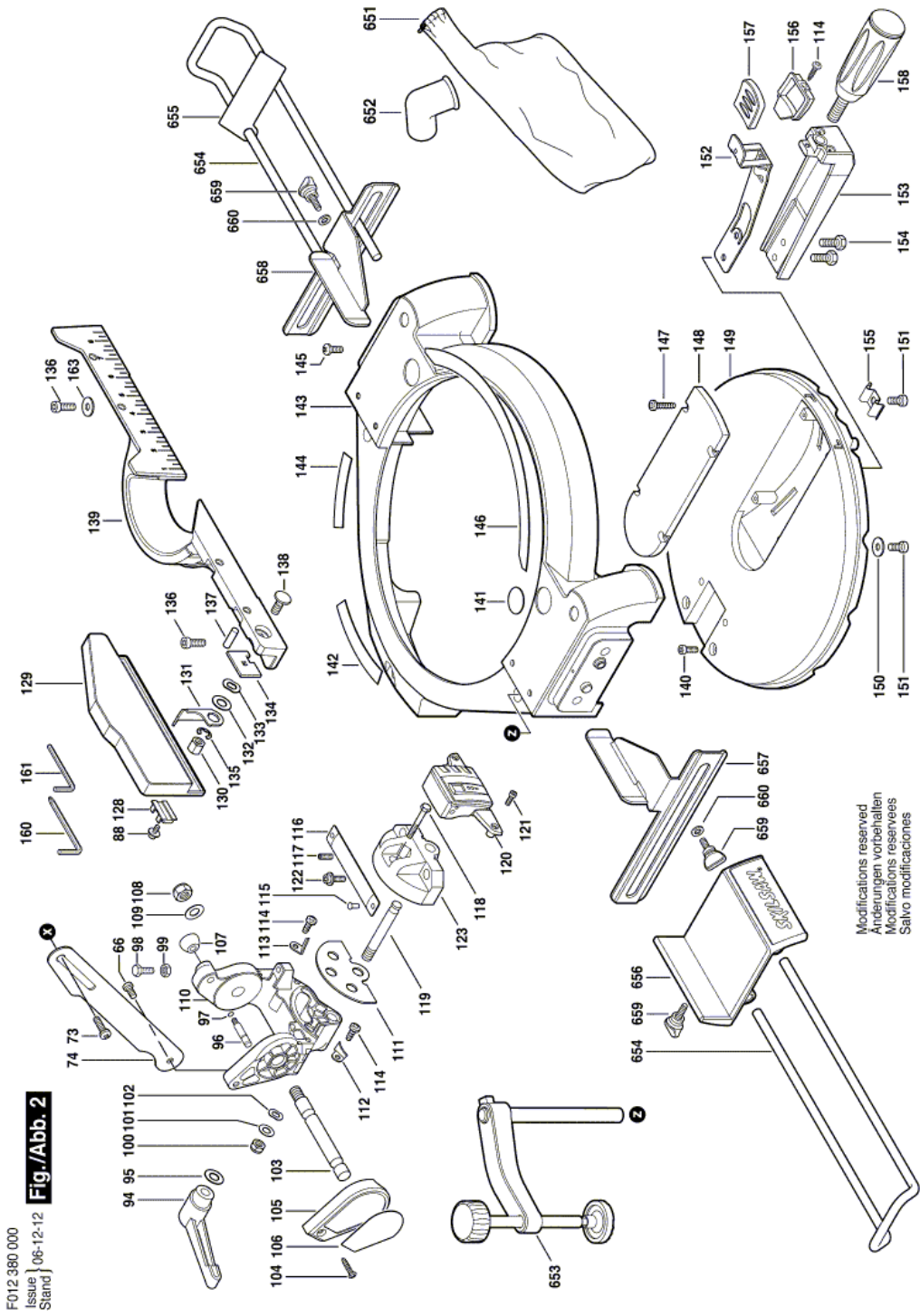


F012.380.000  
Issue 06-12-12  
Stand

**Fig./Abb. 1**

Modifications reserved  
Änderungen vorbehalten  
Modificacions reserves  
Salvo modificaciones

Illustration - Type E



Information subject to change without further notice.