



372X-TORQ

Spare parts

Ersatzteile

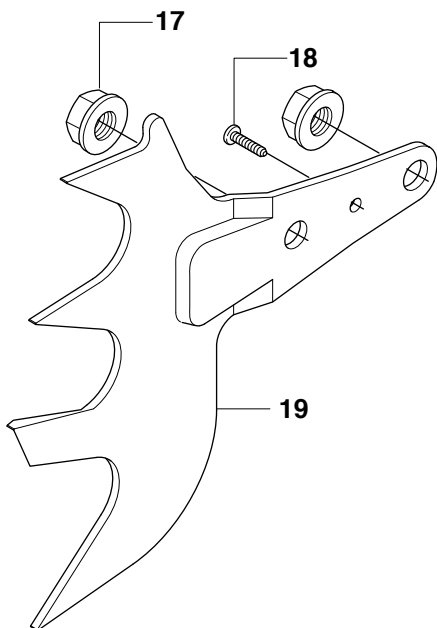
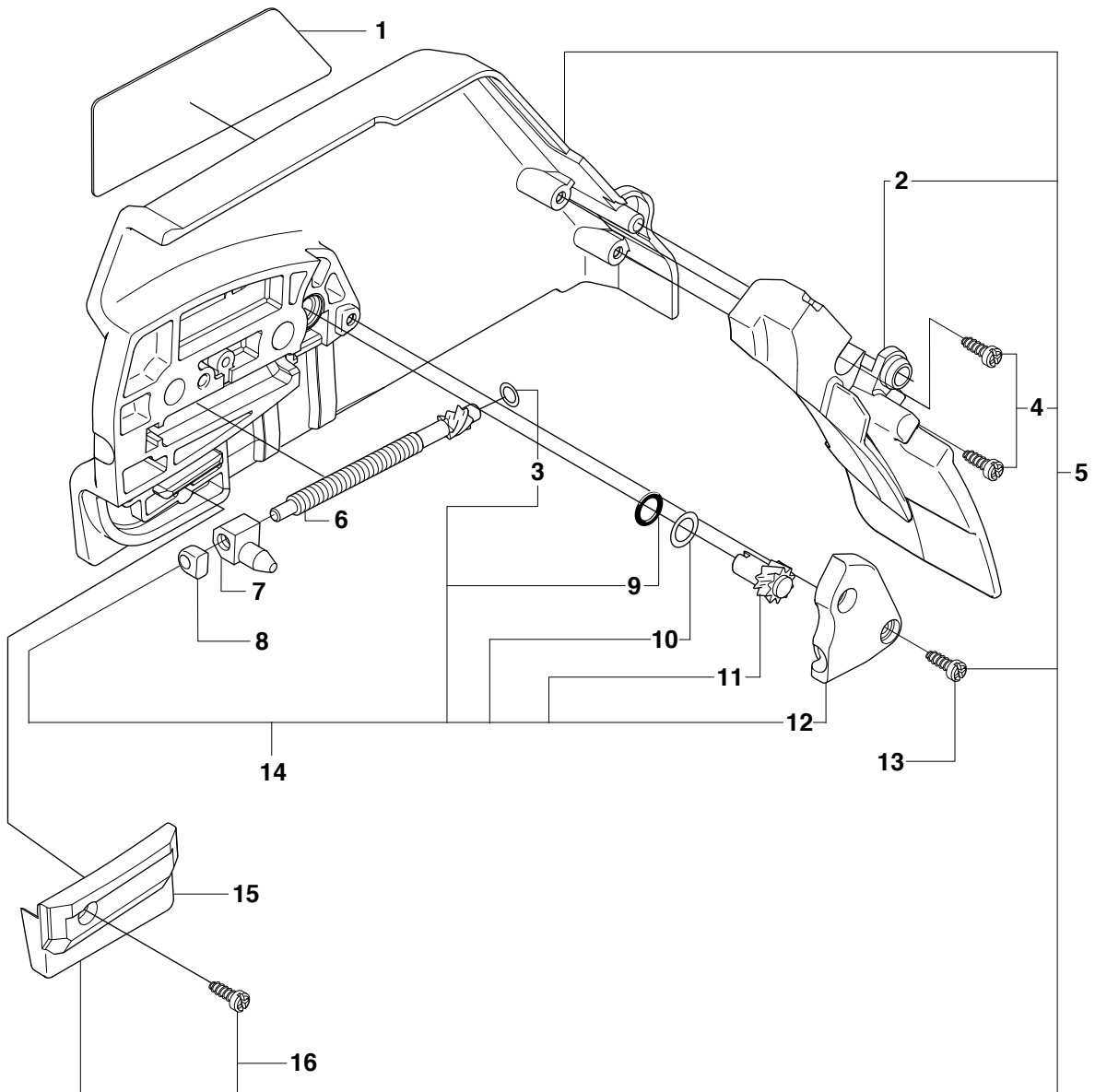
Pièces détachées

Reserve onderdelen

Repuestos

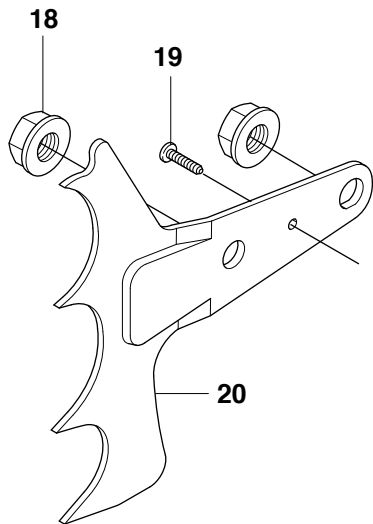
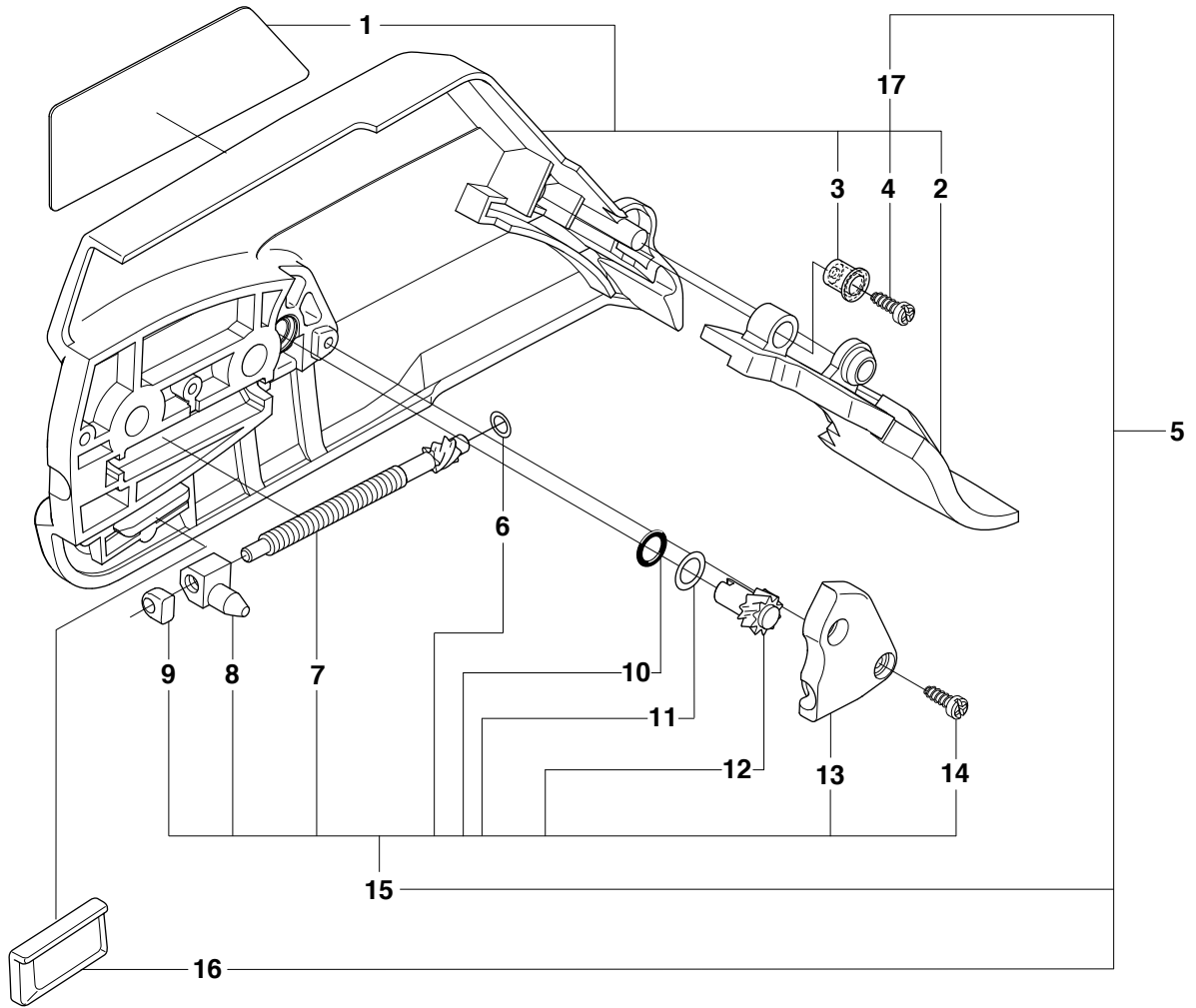
Reservdelar

A1 372 X-TORQ WA CLUTCH COVER



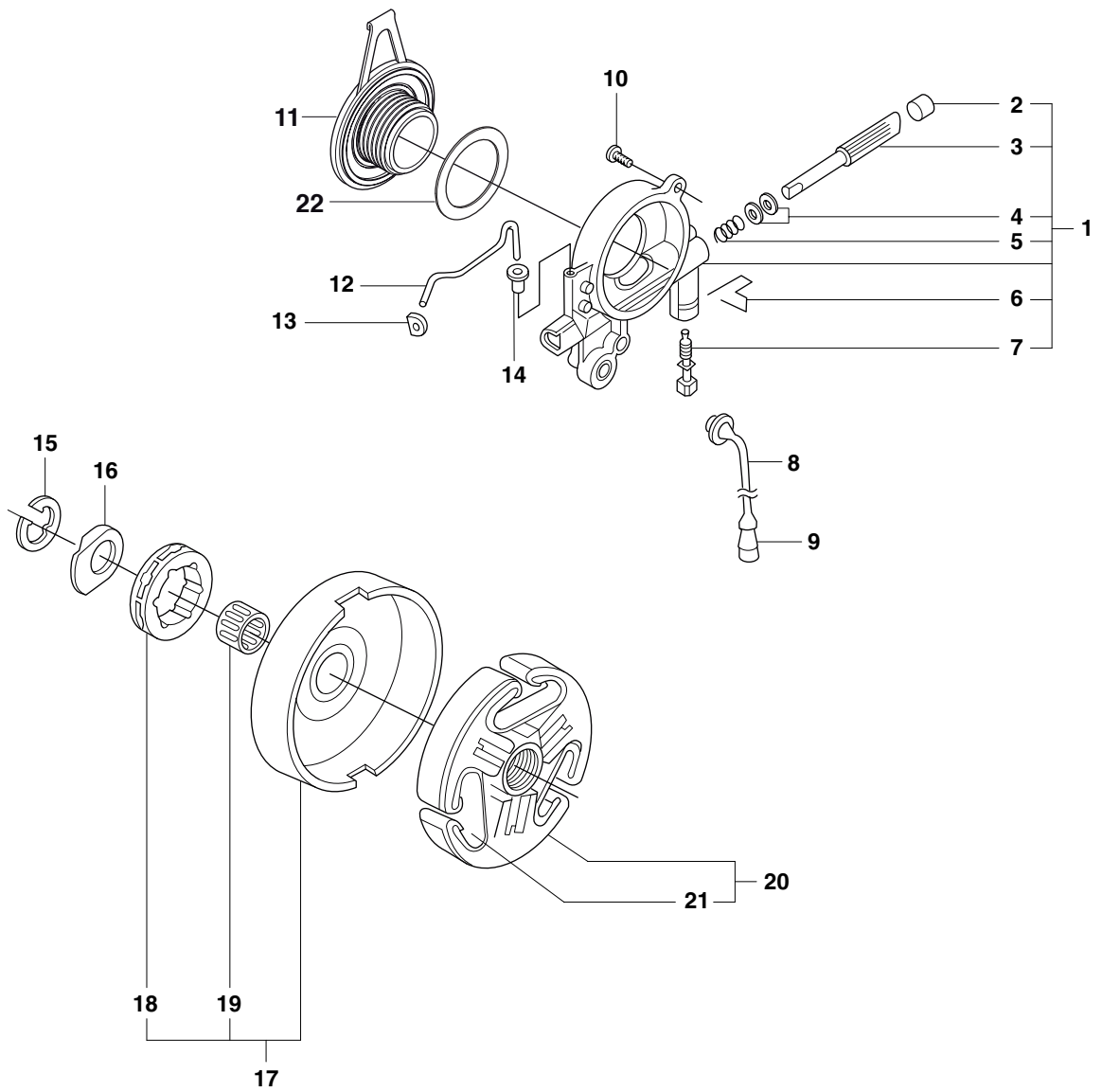
Position	Article	Quantity	Notes	Kit
1	537 03 38-03	1		5
2	537 17 41-01	1		5
3	503 23 00-66	1		14
4	503 21 28-10	1		5
5	537 33 10-01	1	372XPW	
6	537 07 95-02	1		14
7	503 99 83-01	1		14
8	537 01 74-01	1		14
9	740 48 07-02	1		14
10	503 23 00-63	1		14
11	537 07 94-02	1		14
12	537 01 68-01	1		14
13	503 21 28-10	2		5
14	537 04 41-02	1		5
15	537 04 34-01	1		5
16	503 21 28-10	1		5
17	503 22 00-01	2		
18	503 21 28-10	1		
19	503 92 27-01	1		

A2 372 X-TORQ
CLUTCH COVER



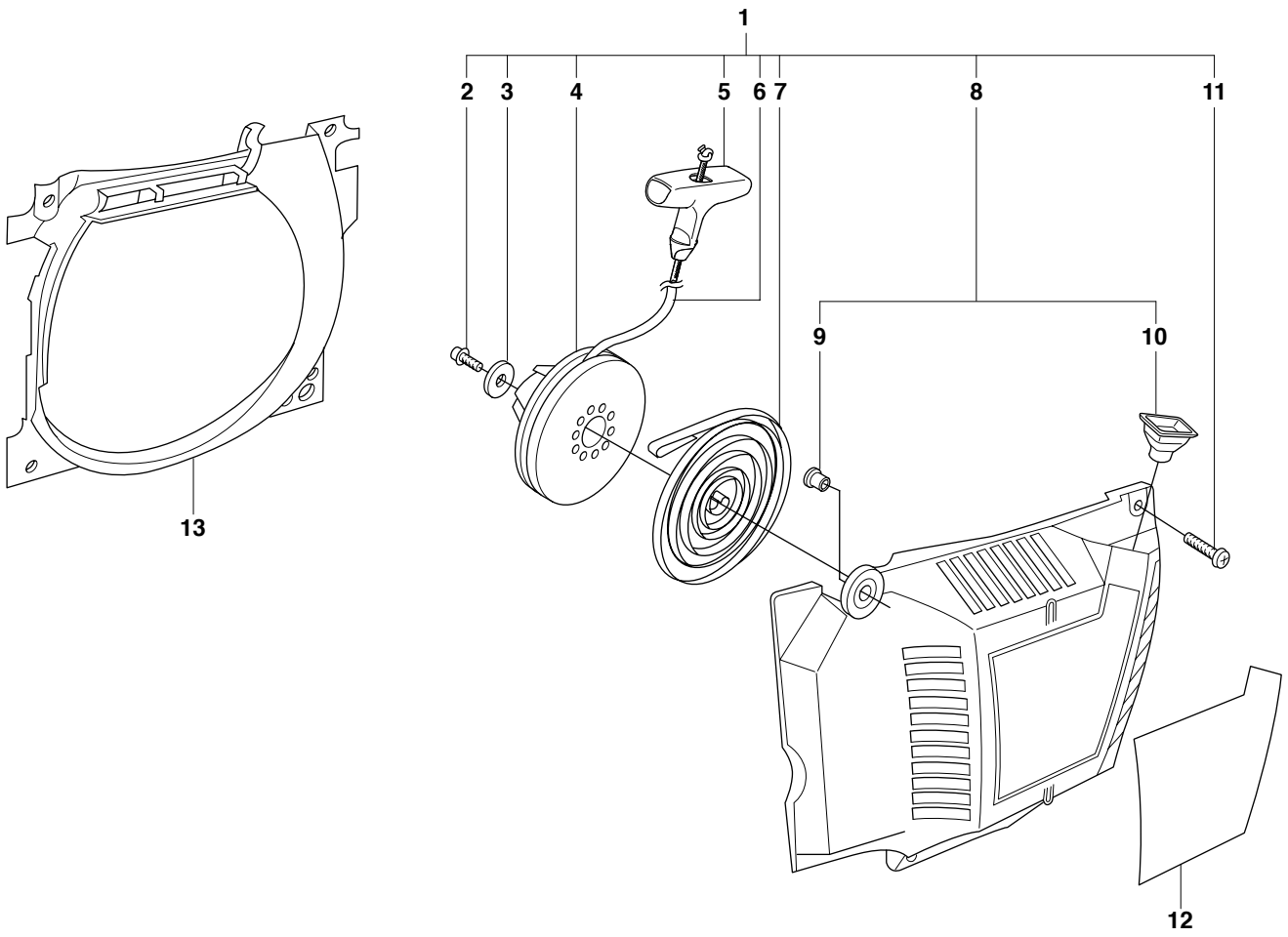
Position	Article	Quantity	Notes	Kit
1	537 03 38-03	1		5, 17
2	503 76 29-02	1		5, 17
3	503 89 70-01	1		5, 17
4	503 21 28-10	1		5, 17
5	537 03 35-01	1		
6	503 23 00-66	1		5,15
7	537 07 95-01	1		5,15
8	503 99 83-01	1		5,15
9	537 01 74-01	1		5,15
10	740 48 07-02	1		5,15
11	503 23 00-63	1		5,15
12	537 07 94-01	1		5,15
13	537 01 68-01	1		5,15
14	503 21 28-10	2		5,15
15	537 04 41-02	1		5
16	501 51 72-01	1		5
17	537 03 35-71	1		5
18	503 22 00-01	2		
19	503 21 28-10	1		
20	503 71 97-01	1		

B 372 X-TORQ
CLUTCH & OIL PUMP



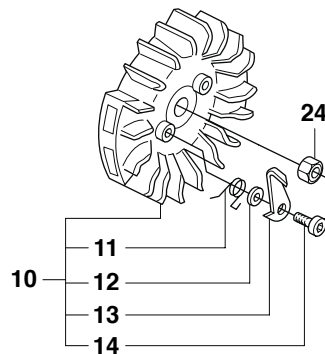
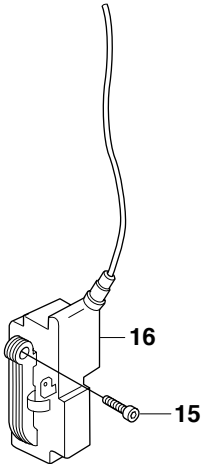
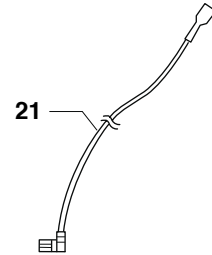
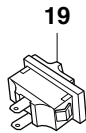
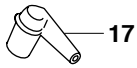
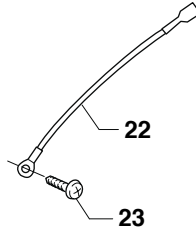
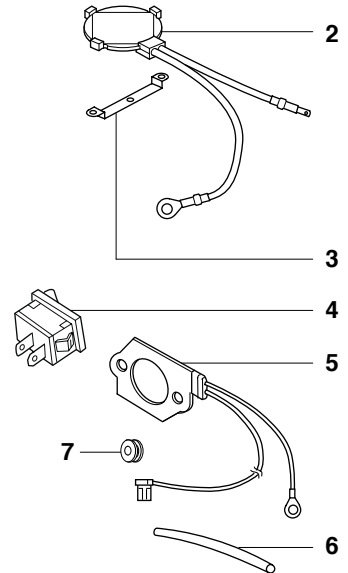
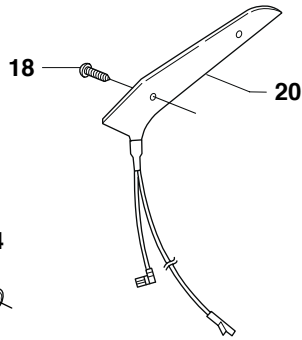
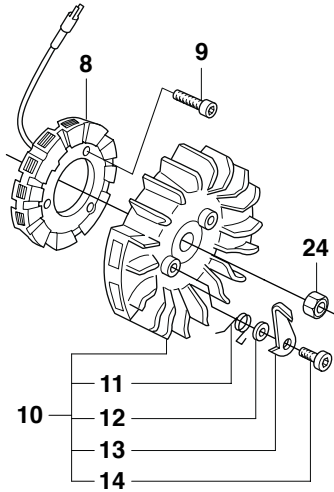
Position	Article	Quantity	Notes	Kit
1	503 52 13-03	1		
2	503 62 49-01	1		1
3	503 52 15-01	1		1
4	503 23 00-04	1		1
5	501 61 58-01	1		1
6	503 81 30-01	1		1
7	503 81 13-01	1		1
8	503 42 67-01	1		
9	501 54 41-02	1		
10	725 53 29-56	1		
11	537 20 78-05	1		
12	503 77 43-01	1		
13	503 64 47-01	1		
14	504 30 00-26	1		
15	503 27 21-01	1		
16	503 75 24-01	1		
17	503 93 24-71	1	3/8"x7T	
17	503 93 24-72	1	3/8"x8T	
18	501 59 80-02	1	3/8"x7T	17
18	505 30 36-61	1	3/8"x8T	17
19	503 43 20-01	1		17
20	503 74 44-01	1		
21	503 74 43-01	1		20
22	503 23 00-59	1		

C 372 X-TORQ
STARTER



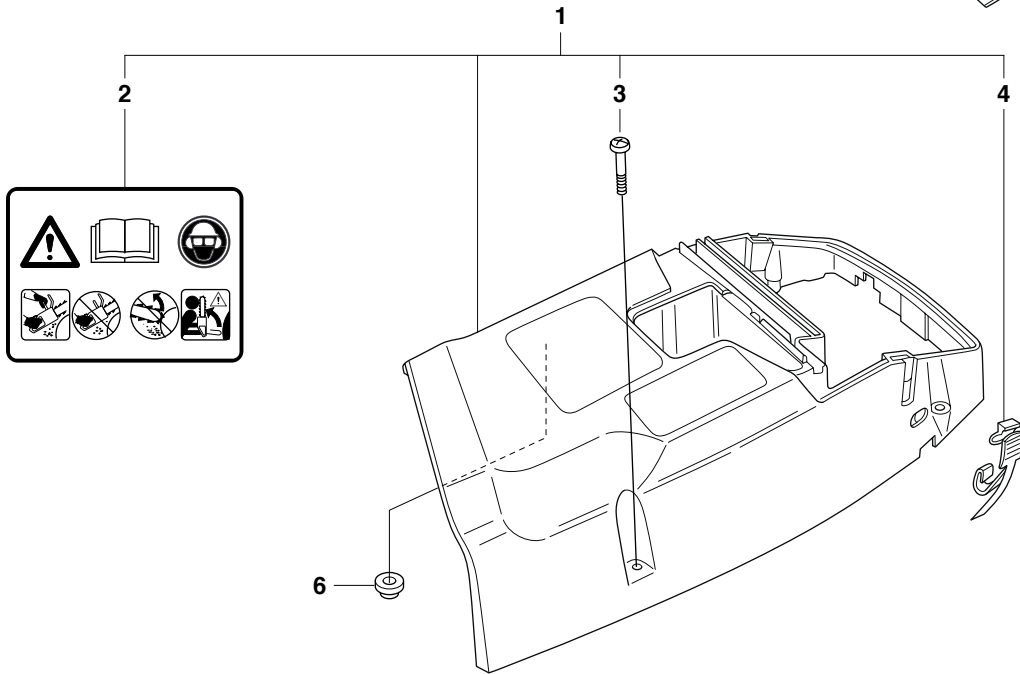
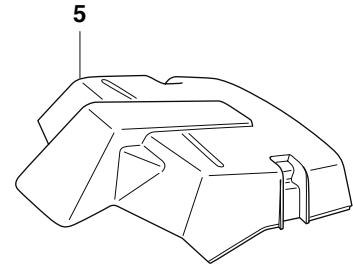
Position	Article	Quantity	Notes	Kit
1	575 25 60-01	1		
2	503 21 49-16	1		1
3	503 23 43-02	1		1
4	503 85 96-01	1		1
5	522 03 73-01	1		1
6	501 20 15-02	1		1
7	503 78 72-01	1		1
8	503 62 82-02	1		1
9	537 08 67-01	1		1, 8
10	501 63 06-01	1		1, 8
11	544 08 03-01	4		1
12	537 23 02-12	1	XP	
12	537 23 02-13	1	XPG	
13	503 62 83-01	1		

D 372 X-TORQ
IGNITION SYSTEM



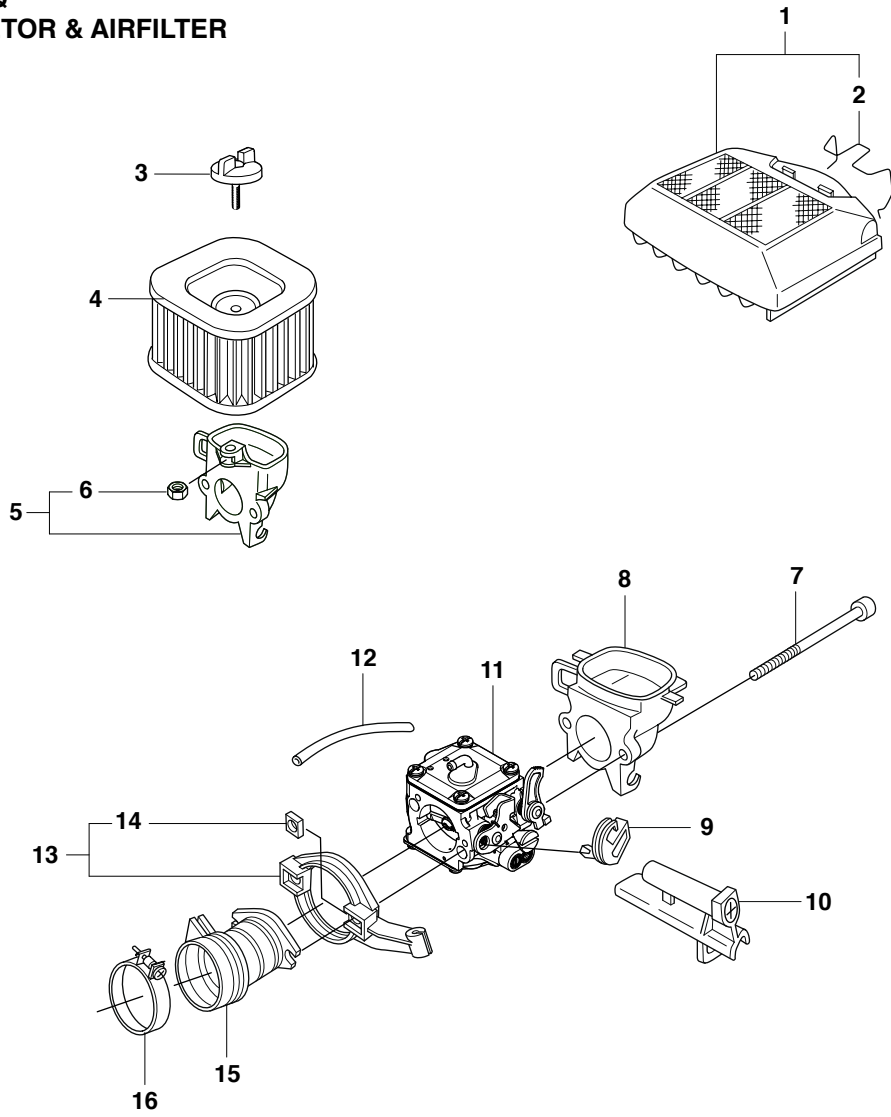
Page D 372 X-TORQ IGNITION SYSTEM				
Position	Article	Quantity	Notes	Kit
2	537 18 98-01	1	G	
3	537 06 04-01	1	G	
4	503 55 49-01	1	G	
5	537 06 53-02	1	G	
6	503 23 85-65	2	G	
7	501 43 00-01	2	G	
8	537 07 18-02	2	G	
9	503 20 26-16	2	G	
10	537 05 16-06	1	G	
10	537 05 16-05	1		
11	501 67 35-01	1		10
12	503 23 00-42	1		10
13	537 01 55-01	1		10
14	501 81 99-01	1		10
15	503 20 02-20	2		
16	510 11 57-01	1		
17	501 48 54-02	1		
18	503 21 38-01	2		
19	503 71 82-01	1		
20	503 70 59-01	1	G	
21	503 62 61-01	1		
22	503 89 76-01	1		
23	503 21 28-10	1		
24	503 22 04 01	2		

E 372 X-TORQ
CYLINDER COVER



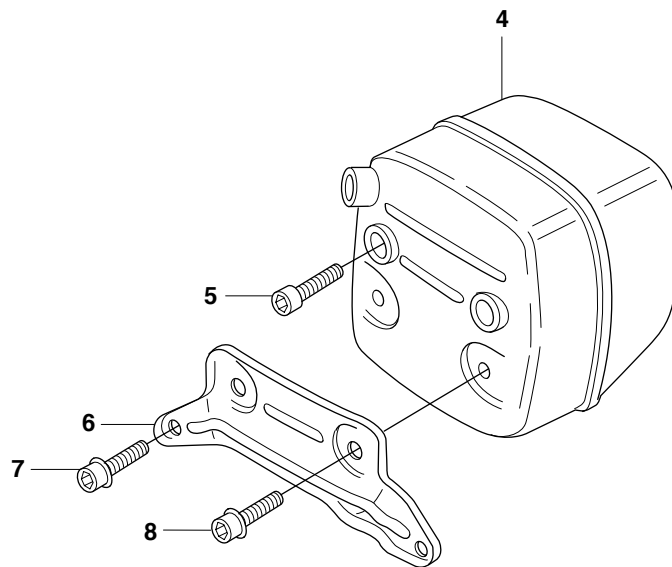
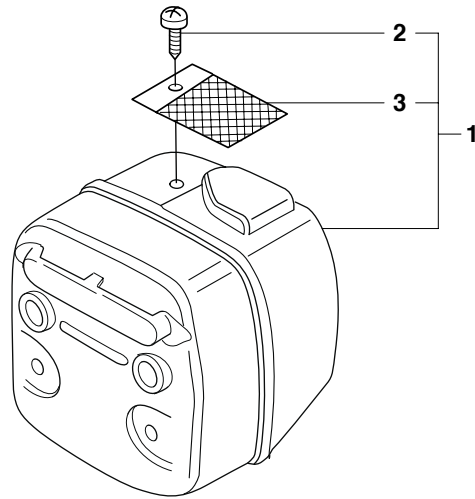
Position	Article	Quantity	Notes	Kit
1	575 25 59-01	1		
2	503 98 74-01	1		1
3	503 20 34-25	1		1
4	503 74 01-02	1		1
5	503 62 80-01	1	Std	
5	503 81 77-01	1	HD	
6	537 01 65-01	1		

F 372 X-TORQ
CARBURETOR & AIRFILTER



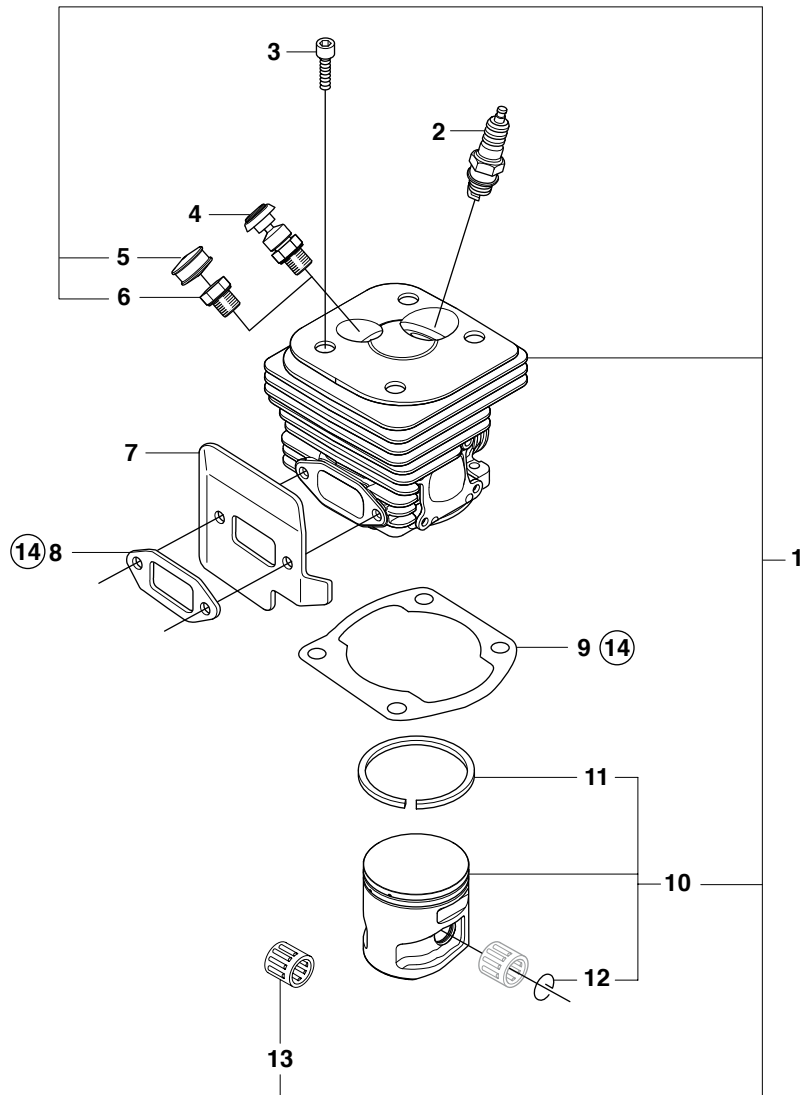
Page F		372 X-TORQ		CARBURETOR & AIR FILTER	
Position	Article	Quantity	Notes	Kit	
1	575 26 91-01	1	80 My		
1	575 26 91-02	1	44 My		
1	575 26 91-03	1	Felt		
2	503 73 54-01	1		1	
3	537 21 32-04	1			
4	503 81 80-05	1	80 My		
4	503 81 80-06	1	44 My		
4	503 81 80-04	1	Felt		
5	522 02 45-01	1			
6	731 23 14-01	1		5	
7	725 53 05-55	2			
8	515 98 29-01	1			
9	503 68 41-01	1			
10	522 41 88 01	1			
11	522 85 87-01	1	Walbro RWJ-4		
12	503 40 06 04	1			
13	522 44 62-01	1			
14	537 14 33 01	1		13	
15	521 99 25-02	1	RU		
15	521 99 25-01	1			
16	505 28 33-07	1			

G 372 X-TORQ
MUFFLER



Position	Article	Quantity	Notes	Kit
1	544 02 97-02	1	DF	
2	724 12 87-59	1		1
3	503 76 64-02	1		1
4	544 02 95-01	1	Tube	
5	725 53 70-55	2		
6	503 76 65-03	1		
7	503 20 02-16	2		
8	503 20 06-08	2		

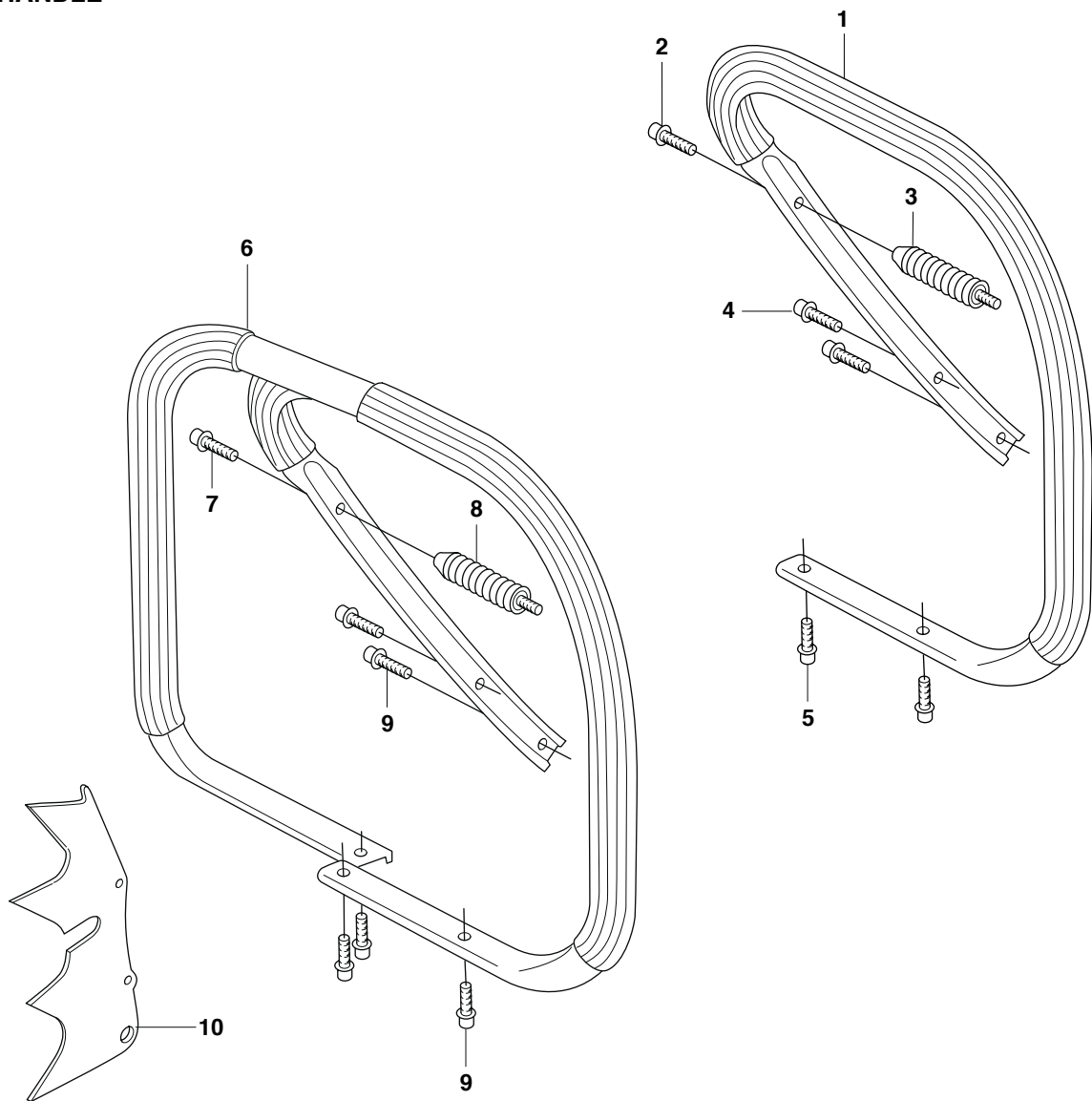
H 372 X-TORQ
CYLINDER PISTON



⑭ 503 64 72-01
Set of gaskets
Dichtungssatz
Jeu de joints
Juego de juntas
Packningssats

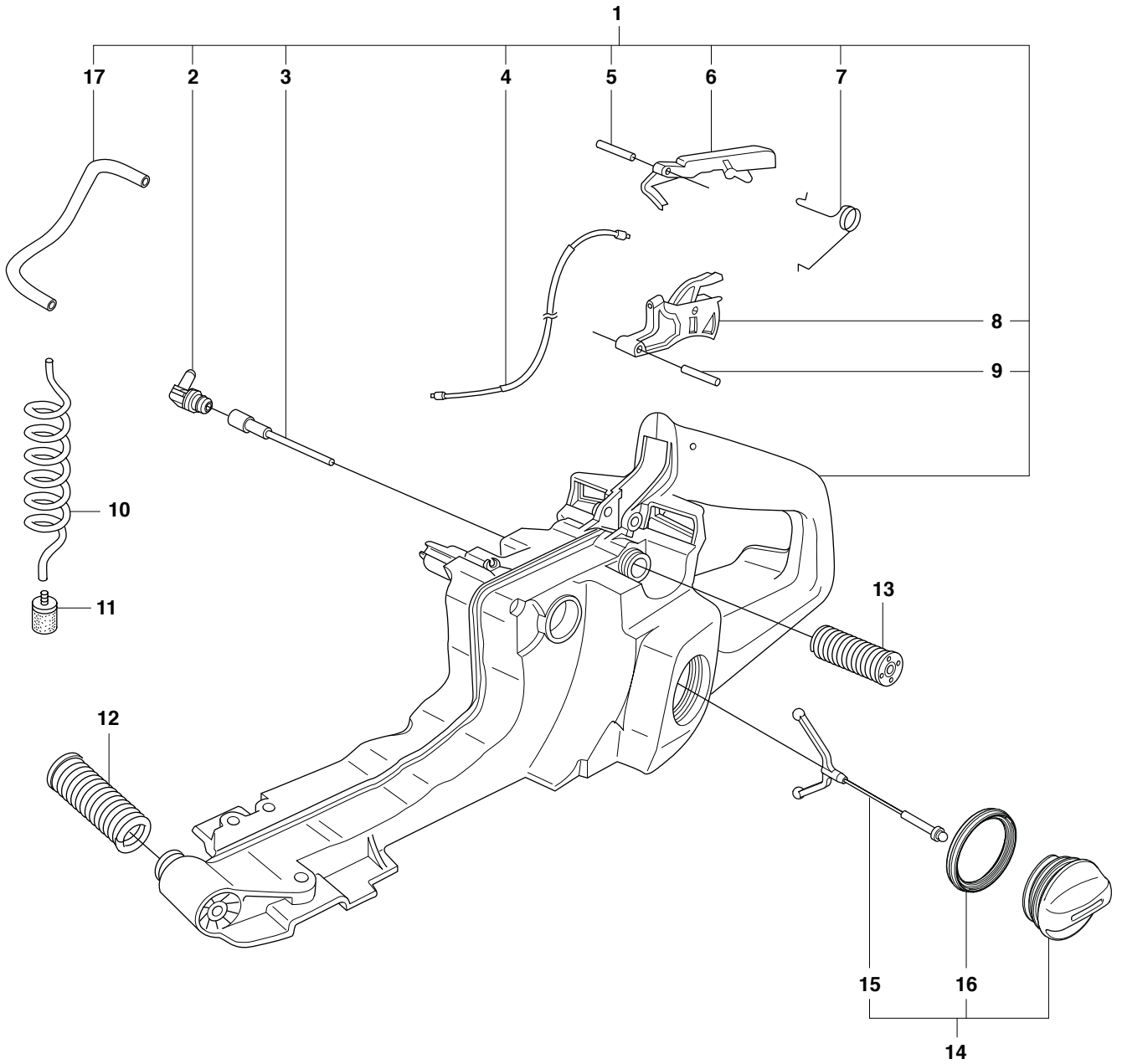
Position	Article	Quantity	Notes	Kit
1	575 25 57-01	1		
2	503 23 51-08	1	RCJ 7 Y	
3	725 53 33-55	4		
4	537 29 44-01	1		
5	537 20 71-01	1		1
6	503 55 22-01	1		1
7	523 04 91-01	1		
8	503 77 59-01	1		14
9	503 96 15-01	1		14
10	510 44 39-02	1		1
11	503 28 90-36	2		1, 10
12	737 43 12-00	2		1, 10
13	503 25 56-01	1		1
14	503 64 72-01	1	Set of gaskets	1

J 372 X-TORQ
HANDLE



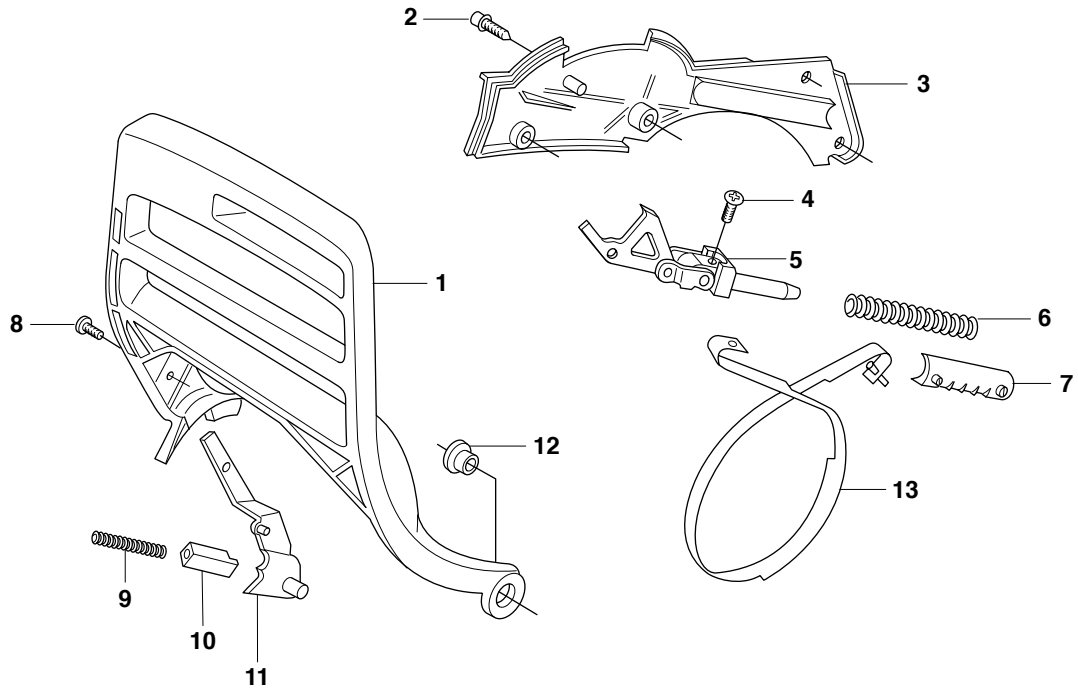
Page J 372 X-TORQ HANDLE				
Position	Article	Quantity	Notes	Kit
1	522 42 88-01	1		
1	522 42 88-02	1	G	
2	503 21 05-22	1		
3	503 63 75-02	1	STD	
3	503 63 75-03	1	HARD	
3	503 68 45-02	1	G	
4	503 21 49-16	2		
5	503 21 49-16	2		
6	522 59 32-01	1	WRAP	
7	503 21 05-22	1		
8	503 63 75-02	1		
9	503 21 49-16	5		
10	537 01 72-01	1		

K 372 X-TORQ
FUEL TANK



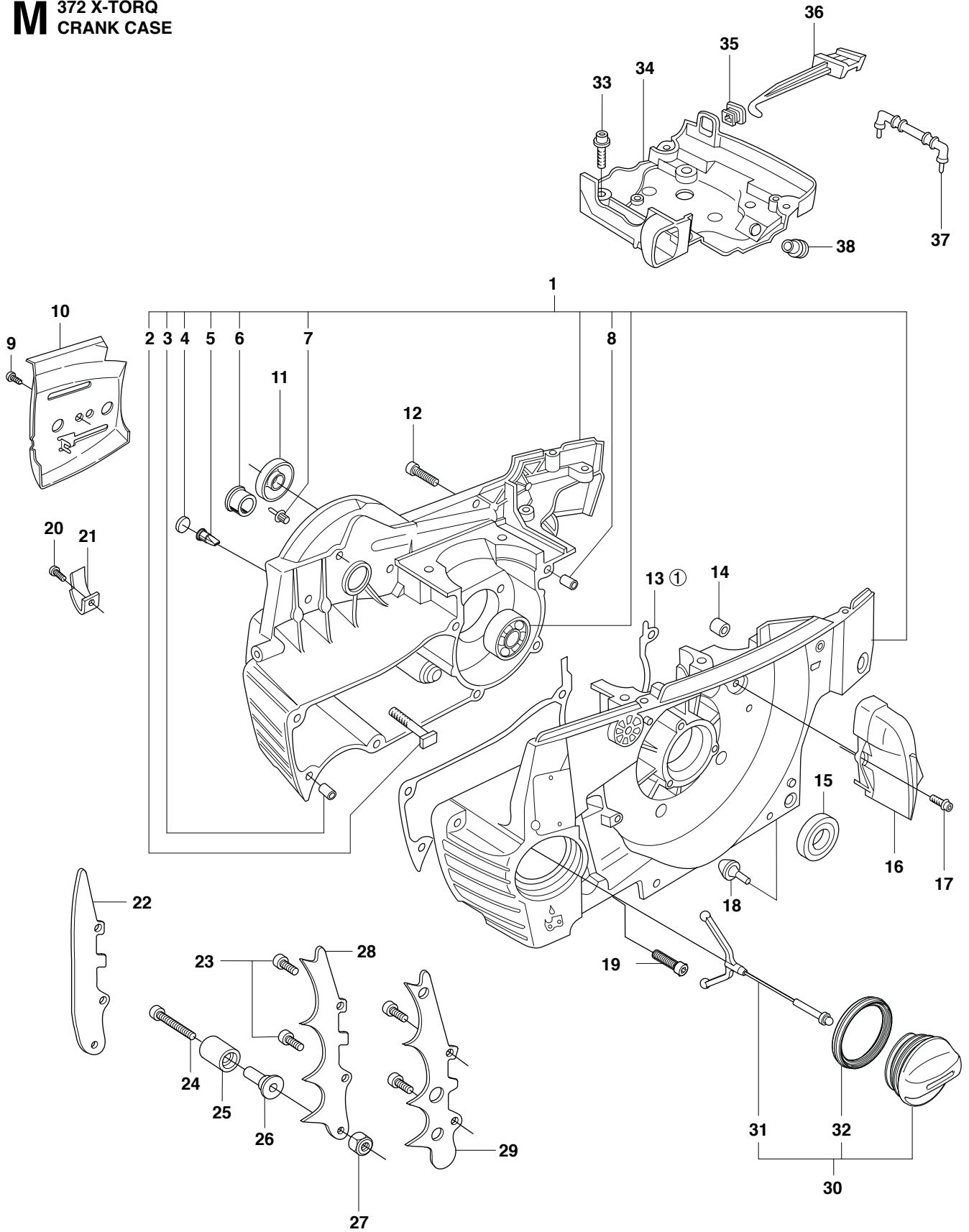
Position	Article	Quantity	Notes	Kit
1	544 11 40-05	1		
2	537 09 93-01	1		1
3	537 09 22-01	1		1
4	503 71 76-01	1		1
5	720 12 40-20	1		1
6	503 55 66-01	1		1
7	503 73 64-01	1		1
8	503 82 98-01	1		1
9	720 12 72-20	1		
10	544 32 50-02	1		
11	503 44 32-01	1		
12	503 63 76-01	1	Std	
12	503 63 76-02	1	Hard	
13	503 89 56-01	1	Std	
13	503 89 56-02	1	Hard	
14	537 21 52-02	1		
15	503 57 89-01	1		14
16	537 21 50-01	1		14
17	544 32 49-06	1		1

L 372 X-TORQ
CHAIN BRAKE



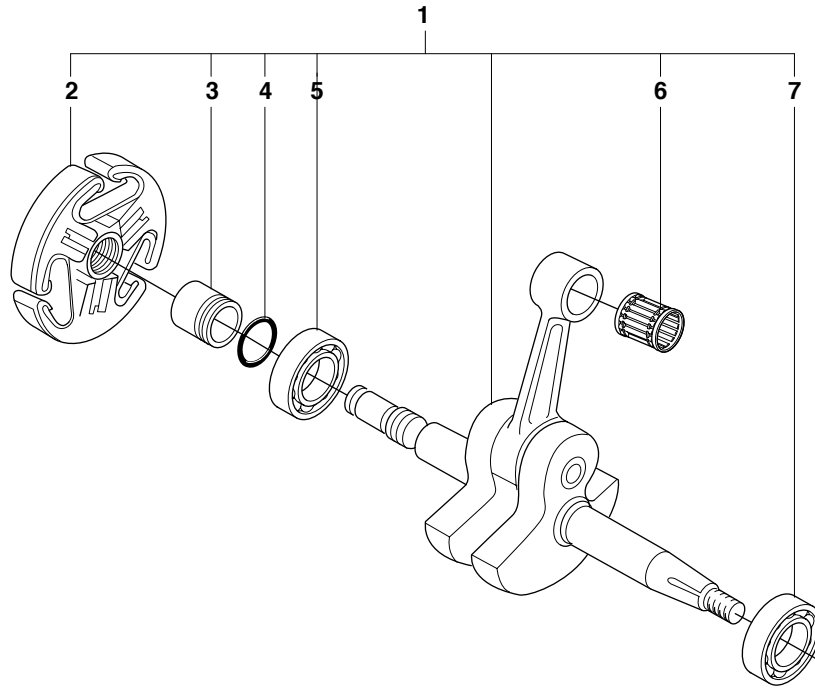
Position	Article	Quantity	Notes	Kit
1	515 98 09-01	1		
2	503 20 07-12	4		
3	503 75 11-03	1		
4	503 21 28-10	1		
5	501 87 53-03	1		
6	503 70 99-01	1		
7	503 79 27-02	1		
8	503 20 25-12	1		
9	503 43 65-01	1		
10	503 83 81-02	1		
11	537 00 87-01	1		
12	503 77 52-01	1		
13	503 75 22-02	1		

M 372 X-TORQ
CRANK CASE

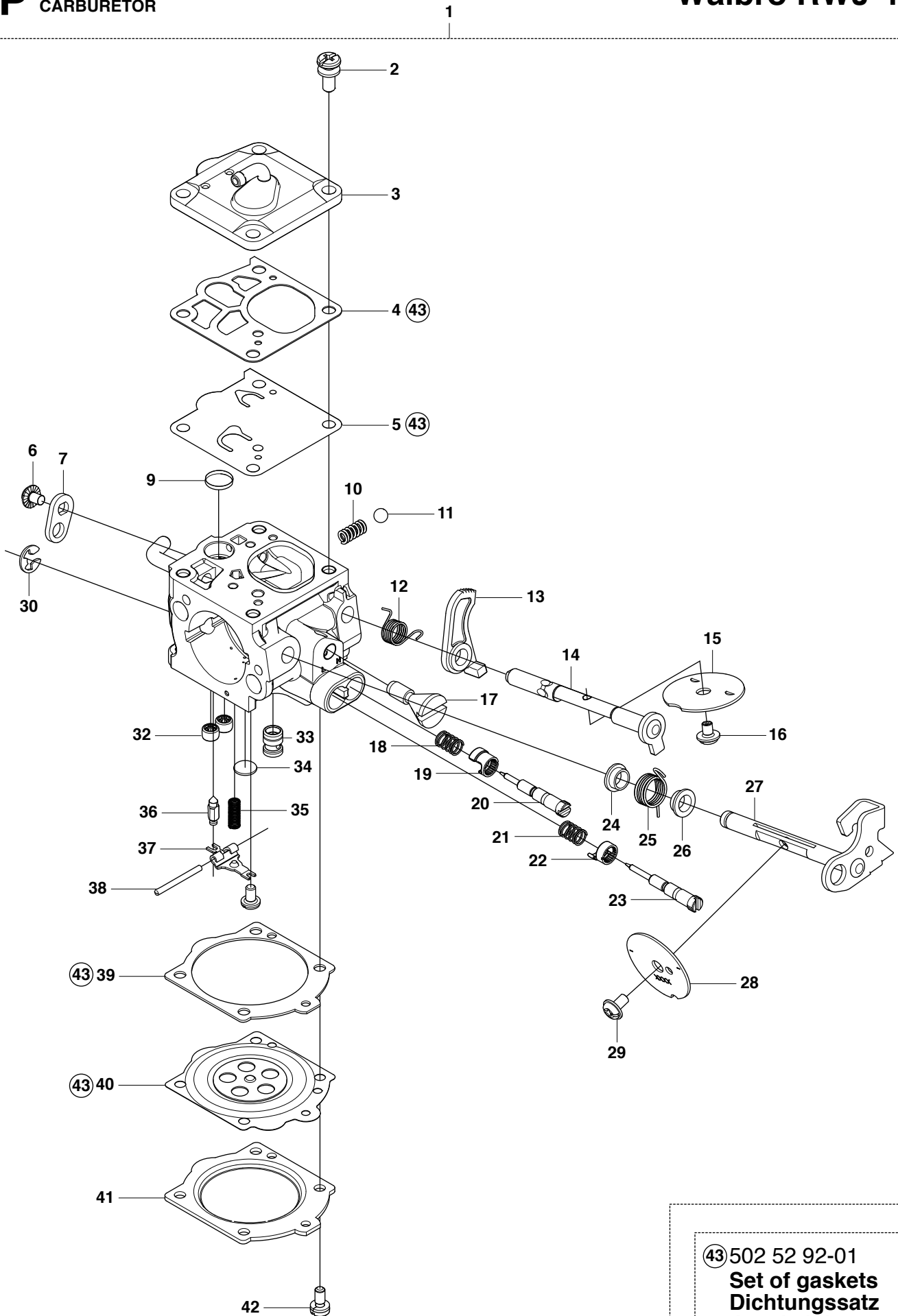


Position	Article	Quantity	Notes	Kit
1	503 62 68-76	1		
2	537 05 13 01	1		1
3	501 27 08-01	1		1
4	530 02 61-19	1		1
5	537 40 35-01	1		1
6	503 96 70-01	1		1
7	503 75 18-01	1		1
8	501 27 08-01	1		1
9	503 21 28-10	1		
10	537 01 37 01	1		
11	503 26 03-01	1		
12	503 74 93-01	1		
13	503 62 72-01	1		
14	503 85 73-01	1		
15	505 27 57-19	1		
16	503 62 84-01	1		
17	503 20 07-12	1		
18	503 84 61-01	1		
19	503 20 08-32	1		
20	725 53 31-55	1		
21	501 68 68-01	1		
22	537 04 29-01	1		
23	503 20 02-16	1		
24	503 20 02-30	1		
25	537 02 44-01	1		
26	537 08 92-01	1		
27	503 22 24-01	1		
28	537 01 71-01	1		
29	503 64 79-02	1		
30	537 21 52-02	1		
31	503 57 89-01	1		30
32	537 21 50-01	1		30
33	503 20 07-12	4		
34	503 62 73-03	1		
35	503 73 44-01	1		
36	515 98 22-01	1		
37	503 67 86-01	1		
38	537 09 54-01	1		

N 372 X-TORQ
CRANK SHAFT



Page N 372 X-TORQ CRANK SHAFT				
Position	Article	Quantity	Notes	Kit
1	503 74 87-03	1		
2	503 74 44-01	1		1
3	503 77 91-01	1		1
4	503 26 30-19	1		1
5	738 22 02-25	1		1
6	503 25 56-01	1		1
7	738 22 02-25	1		1

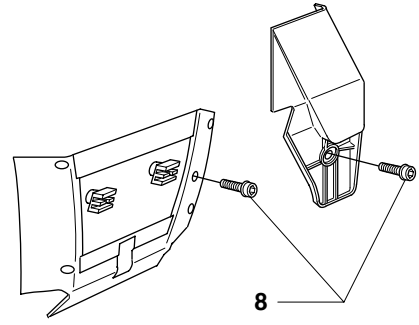


④ 502 52 92-01
Set of gaskets
Dichtungssatz
Jeu de joints
Juego de juntas
Packingsats

Page P 372 X-TORQ CARBURETOR				
Position	Article	Quantity	Notes	Kit
1	522 85 87-01	1	Walbro RWJ-4	
2	503 11 75-01	1		1
3	522 92 35-01	1		1
4	503 11 72-01	1		1, 43
5	544 89 72-01	1		1, 43
6	501 46 87-01	1		1
7	504 79 07-01	1		1
9	501 66 61-01	1		1
10	503 11 77-01	1		1
11	503 11 71-01	1		1
12	504 79 15-01	1		1
13	537 40 92-01	1		1
14	504 79 05-01	1		1
15	544 89 68-01	1		1
16	537 00 34-01	1		1
17	504 79 11-01	1		1
18	544 97 10-01	1		1
19	544 97 08-01	1		1
20	522 92 39-01	1		1
21	544 97 10-01	1		1
22	544 97 08-01	1		1
23	544 97 13-01	1		1
24	502 10 31-01	1		1
25	504 79-14-01	1		1
26	502 10 31-01	1		1
27	522 92 37-01	1		1
28	522 92 38-01	1		1
29	537 00 34-01	1		1
30	505 31 67-36	1		1
32	522 92 41-01	1		1
33	503 78 61-01	1		1
34	504 79 08-01	1		1
35	504 79 12-01	1		1
36	503 56 34-01	1		1
37	505 31 67-34	1		1
38	505 31 67-31	1		1
39	501 46 75-01	1		1, 43
40	503 63 48-01	1		1, 43
41	505 31 67-02	1		1
42	503 10 87-01	1		1
43	502 52 92-01	1	Set of gaskets	

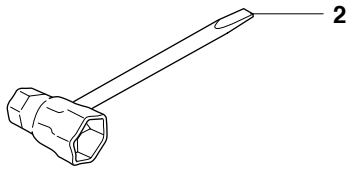
Q 372 X-TORQ
Accessories
Zubehöre
Accessories
Accesorios
Tillbehör

WINTER

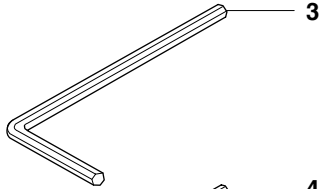


7

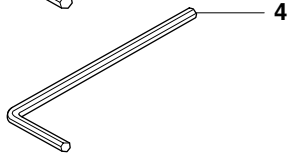
1



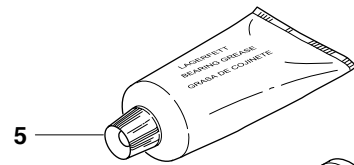
2



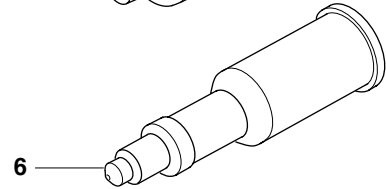
3



4



5



6

Position	Article	Quantity	Notes	Kit
1	503 55 85-01	1		
2	501 69 17-01	1		1
3	503 55 86-02	1	NV5	1
4	503 55 86-01	1	NV4	1
5	503 62 12-01	1		1
6	501 91 14-01	1		1
7	503 96 90-08	1	WINTER	
8	503 21 27-16	1		7