

Random orbital sander - 0 601 372 639 - 3727DEVS

www.powertools-aftersaleservice.com

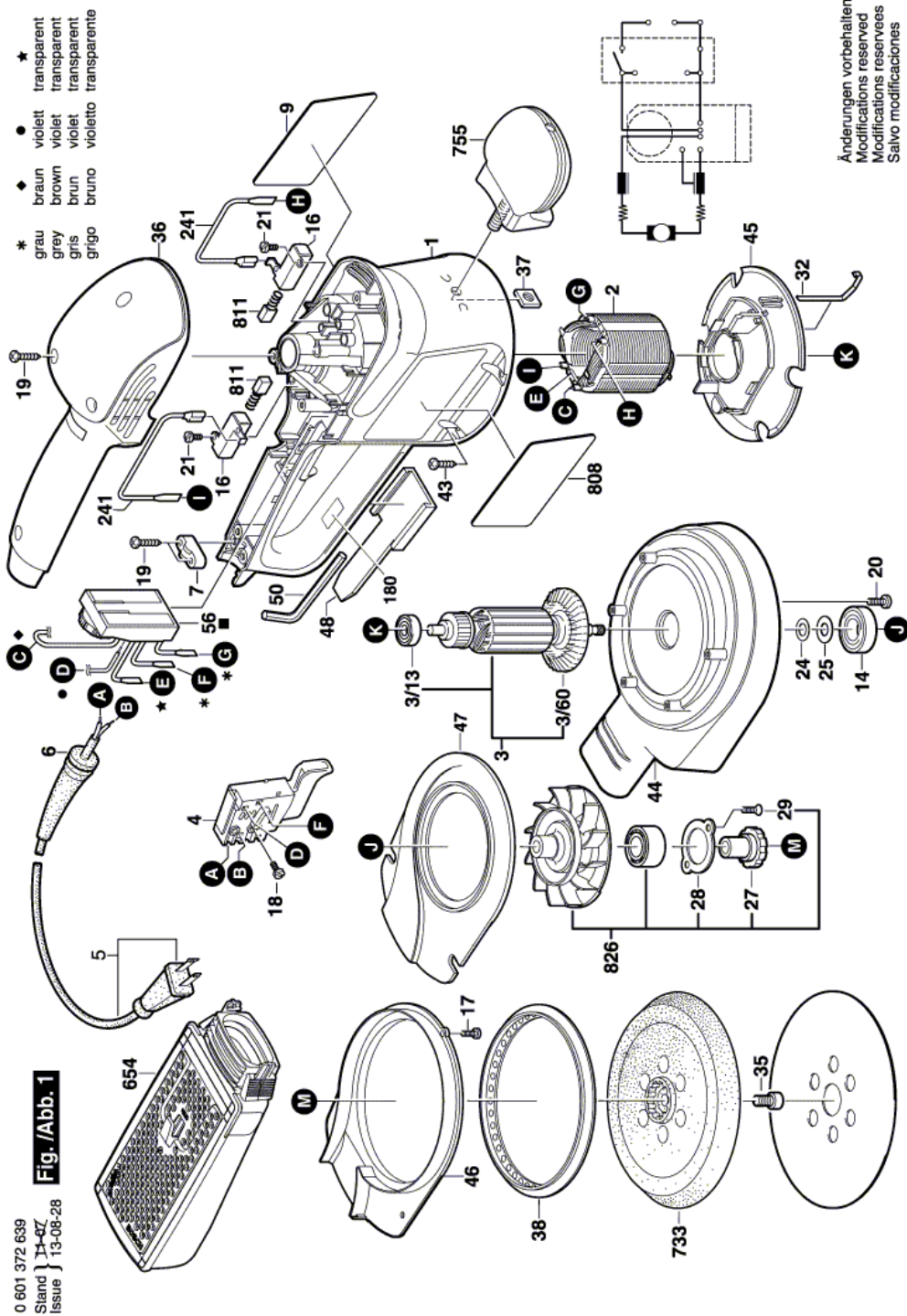


BOSCH

Item	Part Number	Description	Illustration	Price	Quantity	Price Group
1	2 605 104 410	Housing Section BLUE	1	-,-	1	28
2	2 604 220 663	Field 220-240V	1	-,-	1	31
3	2 604 011 240	Armature 110-127V	1	-,-	1	40
3/13	2 600 905 051	groove ball bearing 7x19x6	1	-,-	1	21
3/60	2 606 610 076	Fan	1	-,-	1	15
4	2 607 200 260	Switch	1	-,-	1	23
5	2 604 460 229	Power supply cord SAM 2,68m 2 x 082mm SJ 18/2	1	-,-	1	24
6	2 600 703 018	Grommet Ø7,3-Ø8,6x76 MM	1	-,-	1	13
7	2 601 035 001	Cable Clip	1	-,-	1	11
9	2 601 117 729	Manufacturer's nameplate	1	-,-	1	15
14	2 600 905 034	groove ball bearing	1	-,-	1	25
16	2 604 337 016	Brush Holder	1	-,-	2	11
17	2 603 435 089	Torx Oval-Head Screw M3x8	1	-,-	3	11
18	2 603 410 001	Socket head cap screw M3x6,5-4.8	1	-,-	2	11
19	2 603 490 022	Screw 4x16	1	-,-	6	10
20	1 600 A00 RD6	Special Screw	1	-,-	2	10
21	2 603 490 017	Torx Oval-Head Screw 3x10	1	-,-	4	10
24	2 600 101 047	Shim 0,3 MM	1	-,-	1	11
25	2 600 100 041	Plain Washer DIN 315-M8-GT-C	1	-,-	1	11
27	2 600 328 026	Carrier	1	-,-	1	21
28	2 600 190 060	Tab Washer	1	-,-	1	12
29	3 603 391 003	Thread-forming tap. Screw M3x8	1	-,-	2	11
32	2 601 329 053	Contact Strap	1	-,-	1	11
35	2 910 130 244	Hex Socket Head Cap Screw DIN 7984-M8x25-8.8	1	-,-	1	11
36	2 605 500 124	Housing Cover BLUE	1	-,-	1	24
37	2 915 121 006	Square Nut DIN 562-M6-04	1	-,-	1	11
38	1 600 A00 JE7	Friction Ring	1	-,-	1	13
43	2 603 435 042	Thread-forming tap. Screw	1	-,-	4	11
44	2 600 282 015	Suction Hood	1	-,-	1	30
45	2 601 328 047	Air-Deflector Ring	1	-,-	1	14
46	2 601 328 048	Suction Piece	1	-,-	1	14
47	2 601 328 049	Suction Piece	1	-,-	1	14

Item	Part Number	Description	Illustration	Price	Quantity	Price Group
48	2 601 035 002	Pusher	1	-,-	1	12
50	1 907 950 006	Offset Screwdriver DIN 911-SW5 BLACK	1	-,-	1	16
56	2 607 230 118	Speed governor 100-120V	1	-,-	1	34
241	2 604 448 100	Connecting Cable L=68 MM WHITE	1	-,-	2	10
654	2 605 411 193	Dust Chamber	1	-,-	1	28
733	2 608 601 106	Backing Pad Ø150	1	-,-	1	34
755	2 602 026 069	Auxiliary Handle BLACK	1	-,-	1	17
808	2 601 115 656	Nameplate	1	-,-	1	13
811	1 607 014 117	Carbon Brush	1	-,-	1	22
826	2 606 610 903	Fan	1	-,-	1	39

Illustration - Type E



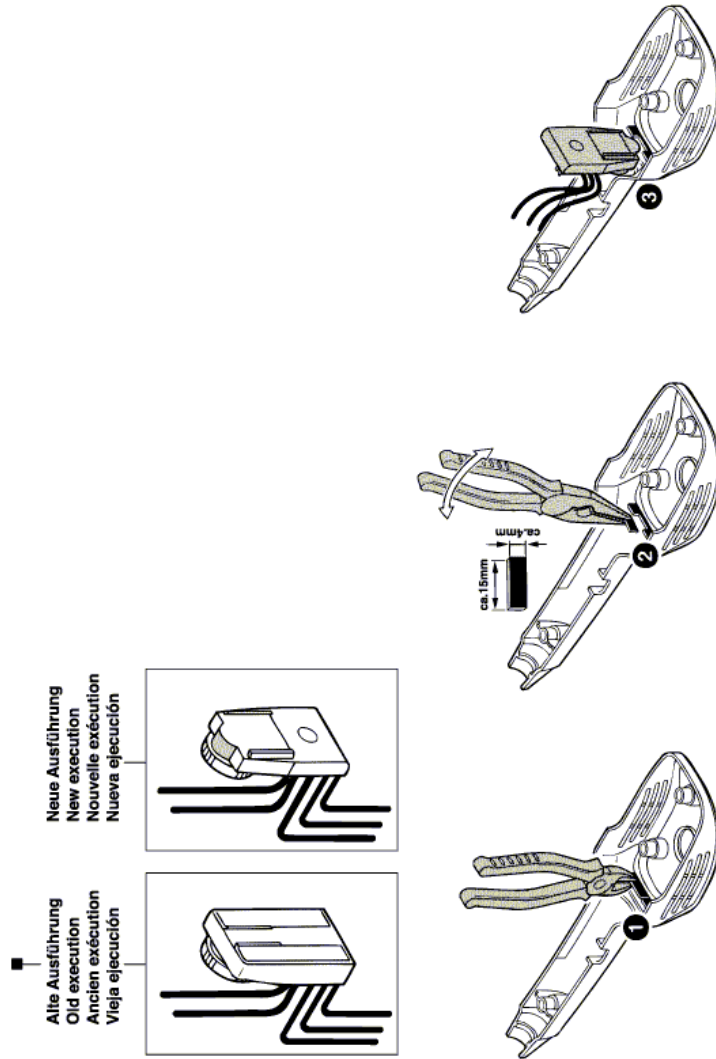
0 601 372 639
 Stand } 11-07
 Issue } 13-08-28
Fig./Abb. 1

Illustration - Type E

0 601 372 639

Stand } 02-07-30
Issue }

Fig./Abb. 2



Neue Ausführung
New execution
Nouvelle exécution
Nueva ejecución

Alte Ausführung
Old execution
Ancien exécution
Vieja ejecución

Änderungen vorbehalten
Modifications reserved
Modifications reserves
Salvo modificaciones

Information subject to change without further notice.