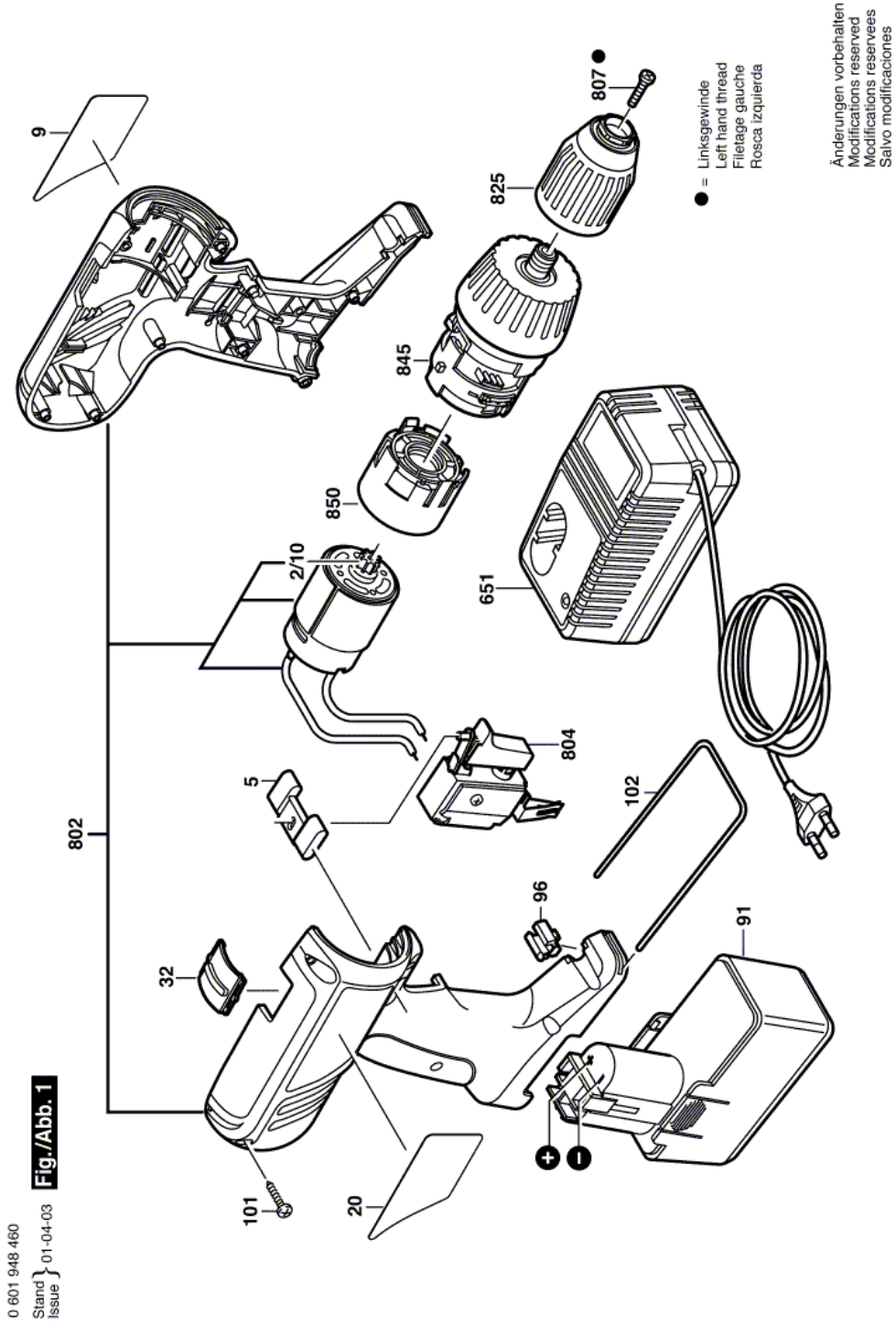


11.08.2015 |

Batt-Oper Screwdriver - 0 601 948 460 - 3650

Item	Part Number	Description	Illustration	Price	Quantity	Price Group
2/10	2 606 316 188	Pinion	1	-,-	1	12
5	2 601 099 085	Adjusting Slide RED	1	-,-	1	11
9	2 610 995 415	Label	1	-,-	1	-
20	2 610 995 414	Nameplate	1	-,-	1	-
32	2 601 099 086	Adjusting Slide BLACK	1	-,-	1	12
91	2 607 335 156	Accumulator Battery 14,4V,2,0Ah,NiCd	1	-,-	1	45
96	2 608 040 131	Support	1	-,-	1	12
101	2 603 490 018	Torx Oval-Head Screw 3x18	1	-,-	8	10
102	2 601 329 041	Retaining Bracket	1	-,-	1	11
651	2 607 224 431	Fast Charger USA 120/7,2-24V, 1h	1	-,-	1	48
802	2 607 022 983	DC motor 14,4V	1	-,-	1	42
804	2 607 200 421	On-Off Switch	1	-,-	1	38
807	2 610 908 940	Screw	1	-,-	1	-
825	2 610 991 210	Keyless Chuck	1	-,-	1	-
845	2 606 200 925	Planetary Gear Train RED	1	-,-	1	41
850	2 605 719 900	Intermediate Flange	1	-,-	1	18

Illustration - Type E



Information subject to change without further notice.