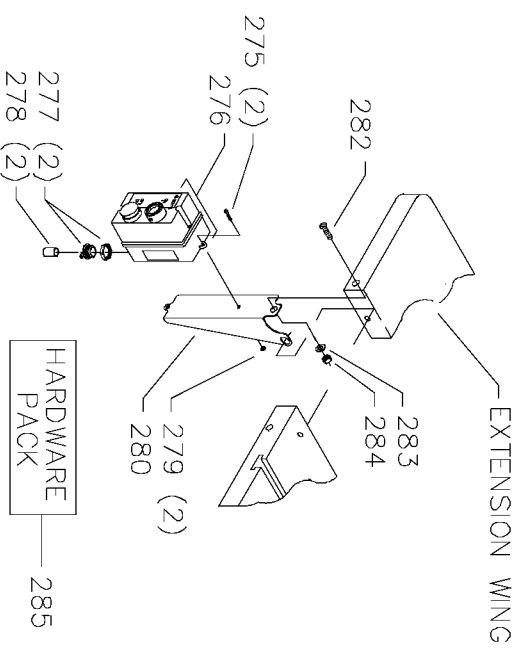
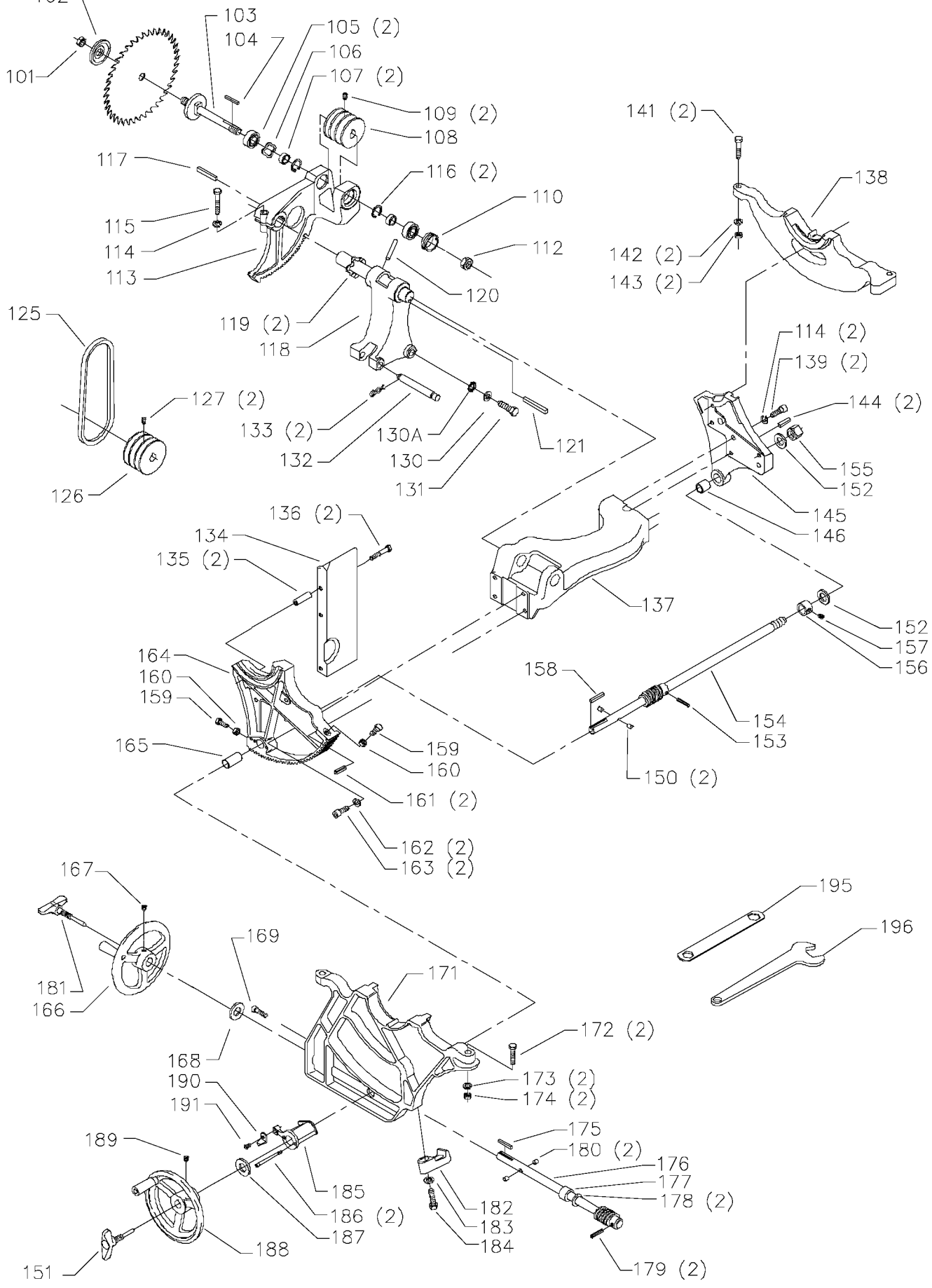


FOR USE WITH LVC MODELS ONLY



FOR USE WITH GPE MODELS ONLY



Parts List for 36-R51L Type 1

| Item Number | Part Number | Description | Qty Required |
|-------------|---------------|---------------------|--------------|
| 1 | 1086334S | SEE THRU GUARD | 1 |
| 1 | 1086935 | BLADE GUARD | 1 |
| 1 | 734639 | SEE THRU BL GD | 1 |
| 1 | 000000-00 | No Longer Available | 1 |
| 2 | 1086388S | PUSH NUT CAP | 1 |
| 3 | 1087811S | PIN | 1 |
| 5 | 1086353S | SPRING | 1 |
| 6 | 422160470001S | KICK BACK FINGER | 2 |
| 7 | 422040710007S | PIN | 1 |
| 8 | 1086337S | PIVOT BRACKET | 1 |
| 9 | 1086387S | PUSH NUT | 1 |
| 10 | 905010106729S | PIN | 1 |
| 11 | 422040860002S | SPLITTER W/BUSHING | 1 |
| 12 | 901010600649S | CAP SCREW | 2 |
| 13 | 904010101620S | WASHER | 2 |
| 14 | 904020101703S | LOCK WASHER | 3 |
| 15 | 422040140052S | SPLITTER BRACKET | 1 |
| 16 | 422040890003S | SUPPORT ROD | 1 |
| 17 | 422040140053S | BRACKET | 1 |
| 18 | 901010600649S | CAP SCREW | 2 |
| 19 | 902010201226S | NUT | 1 |
| 20 | 904030201751 | LOCK WASHER | 1 |
| 21 | 422030720001S | PLATE | 1 |
| 22 | 422040140037S | SPLITTER BRACKET | 1 |
| 23 | 904010101620S | WASHER | 2 |
| 24 | 901030131698S | CAP SCREW | 1 |
| 25 | 901030100757S | CAP SCREW | 1 |

Parts List for 36-R51L Type 1

| Item Number | Part Number | Description | Qty Required |
|-------------|---------------|----------------------|--------------|
| 26 | 34-895 | MITER GAUGE | 1 |
| 40 | A24617S | 10INUNIV WING | 1 |
| 40 | 438010110077S | PLUG | 3 |
| 41 | 901010609964 | SCREW | 3 |
| 42 | 904100312097S | SPECIAL WASHER | 3 |
| 55 | 34-154 | STD INS 10IN CONT SW | 1 |
| 56 | 901044615297 | SCREW | 4 |
| 59 | 422041370012 | NAMEPLATE | 1 |
| 60 | 422043910003S | TABLE | 1 |
| 65 | 000000-00 | No Longer Available | 1 |
| 66 | 1087794 | RIVET | 2 |
| 67 | 422041320004 | TILT SCALE | 1 |
| 68 | 1087794 | RIVET | 4 |
| 69 | 422041370013 | WARNING LABEL | 1 |
| 70 | 422043310014 | MOTOR COVER | 1 |
| 71 | 422041220005S | SPRING CLIP | 1 |
| 71 | 904010131868S | WASHER | 1 |
| 71 | 901024531123S | SCREW | 1 |
| 72 | 400064160003 | GASKET | 1 |
| 74 | 000000-00 | No Longer Available | 1 |
| 75 | 406120260001S | DUST CHUTE | 1 |
| 76 | 901052131498 | SCREW | 1 |
| 77 | 438010110021 | INSULATOR | 1 |
| 80 | 438010110065 | PLUG | 1 |
| 81 | 438010110074 | HOLE PLUG 2 DIA | 1 |
| 82 | 901030101487 | SCREW | 4 |
| 82 | 904100312097S | SPECIAL WASHER | 4 |

Parts List for 36-R51L Type 1

| Item Number | Part Number | Description | Qty Required |
|-------------|---------------|---------------------|--------------|
| 82 | 904030301771S | WASHER | 4 |
| 83 | 901110200834S | CARRIAGE BOLT | 4 |
| 85 | 422043050001 | SUB BASE | 1 |
| 88 | 902015031514 | FLANGED HEX NUT | 4 |
| 89 | 901052131498 | SCREW | 1 |
| 90 | 422350140002S | RIP FENCE HOLDER | 2 |
| 91 | 904010131885 | WASHER | 1 |
| 92 | 901030103309S | CAP SCREW | 1 |
| 93 | 422047250002S | GUARD MT | 1 |
| 94 | 422047250006 | HARDWARE PACK | 1 |
| 97 | 955030100001 | 1/4 HEX WRENCH | 1 |
| 98 | 955030102155 | 5/64 HEX WRENCH | 1 |
| 101 | 902012009848S | ARBOR NUT-LH | 1 |
| 102 | 422041035001S | FLANGE | 1 |
| 103 | 422043030003S | ARBOR & FLANGE | 1 |
| 104 | 927030202660S | KEY | 1 |
| 105 | 1086894S | BEARING | 2 |
| 106 | 928060207382S | LOAD SPRING | 1 |
| 107 | 422041040002S | SPACER | 2 |
| 108 | 422041300003S | ARBOR PULLEY | 1 |
| 109 | A10686 | SCREW | 2 |
| 110 | 902070207176S | BEARING CLOSURE NUT | 1 |
| 112 | 902012009847S | SPECIAL NUT | 1 |
| 113 | 422043145002S | ARBOR BRACKET | 1 |
| 113 | 422043145003S | ARBOR BRACKET | 1 |
| 114 | 904020201704S | LOCK WASHER | 2 |
| 115 | 901010603102S | CAP SCREW | 1 |

Parts List for 36-R51L Type 1

| Item Number | Part Number | Description | Qty Required |
|-------------|---------------|-------------------|--------------|
| 116 | 904151017147S | RET RING | 2 |
| 117 | 927030102653S | KEY | 1 |
| 118 | 422043145004 | MOTOR BRACKET | 1 |
| 119 | 928060114128S | SPRING WASHER | 2 |
| 120 | 905010105072 | ROLL PIN | 1 |
| 121 | 927030102657S | KEY | 1 |
| 125 | 5140043-25 | 3V-BLTS 4L 261/16 | 1 |
| 126 | 41-644 | HD 3GROOVE PULLY | 1 |
| 127 | A10686 | SCREW | 2 |
| 130 | 904100312097S | SPECIAL WASHER | 1 |
| 130 | 904030301771S | WASHER | 1 |
| 131 | 901010600664S | CAP SCREW | 1 |
| 132 | 422040715001S | STEEL PIN | 1 |
| 133 | 422040795001S | SPRING CLIP | 2 |
| 134 | 422040365001 | DEFLECTOR | 1 |
| 135 | 422041045005 | SLEEVE | 2 |
| 136 | 901010600613 | MACHINE SCREW | 2 |
| 137 | 422041025002 | YOKE | 1 |
| 138 | 422040140051S | TRUNNION BRACKET | 1 |
| 139 | 901030100775S | CAP SCREW | 2 |
| 141 | 901010600682 | CAP SCREW | 2 |
| 142 | 904020201704S | LOCK WASHER | 2 |
| 143 | 902010101207 | HEX NUT | 2 |
| 144 | 905010102734 | ROLL PIN | 2 |
| 145 | 422043955002 | REAR TRUNNION | 1 |
| 146 | 920750113934 | BEARING | 1 |
| 150 | 422040740001S | PLUG | 2 |

Parts List for 36-R51L Type 1

| Item Number | Part Number | Description | Qty Required |
|-------------|---------------|----------------------|--------------|
| 151 | 422044120009S | LOCK KNOB | 1 |
| 152 | 904010213577S | FIBER WASHER | 2 |
| 153 | 905010102706S | ROLL PIN | 1 |
| 154 | 422044065002 | RAISING SHAFT | 1 |
| 154 | A09527S | SS/A-ELEV SHAFT/GEAR | 1 |
| 155 | 902012101036S | HEX NUT | 1 |
| 156 | 434014040001 | COLLAR W SCRW | 1 |
| 157 | 901041500206 | SET SCREW | 1 |
| 158 | 927030102650S | KEY | 1 |
| 159 | SSF-616-ZN | SCREW .313-24X1.00 H | 2 |
| 160 | 902010201228 | HEX JAM NUT | 2 |
| 161 | 905010102734 | ROLL PIN | 2 |
| 162 | 904020201704S | LOCK WASHER | 2 |
| 163 | 901030100775S | CAP SCREW | 2 |
| 164 | 422043955001 | FRONT TRUNNION | 1 |
| 165 | 920750113935S | BUSHING | 1 |
| 166 | 422044000005S | HANDWHEEL | 1 |
| 167 | 901041500206 | SET SCREW | 1 |
| 168 | 904070105569 | FIBRE WASHER | 1 |
| 169 | 901030408016S | CAP SCREW | 1 |
| 171 | 422040145001 | FRONT BRACKET | 1 |
| 172 | 901010600682 | CAP SCREW | 2 |
| 173 | 904020201704S | LOCK WASHER | 2 |
| 174 | 902010101207 | HEX NUT | 2 |
| 175 | 927030102650S | KEY | 1 |
| 176 | 422044065001S | TILT SHAFT W/WORM | 1 |
| 177 | 904100314509S | COLLAR | 1 |

Parts List for 36-R51L Type 1

| Item Number | Part Number | Description | Qty Required |
|-------------|---------------|----------------------|--------------|
| 178 | 904010213577S | FIBER WASHER | 2 |
| 179 | 905010102706S | ROLL PIN | 2 |
| 180 | 422040740001S | PLUG | 2 |
| 181 | 422044120009S | LOCK KNOB | 1 |
| 182 | 422040550006 | GUIDE BLOCK | 1 |
| 183 | 904100312097S | SPECIAL WASHER | 1 |
| 184 | 901010600681 | CAP SCREW | 1 |
| 185 | 422040142008S | POINTER BRACKET | 1 |
| 186 | 919714 | SHEET MTL SCR | 2 |
| 187 | 904070105569 | FIBRE WASHER | 1 |
| 188 | 422044000005S | HANDWHEEL | 1 |
| 189 | 901041500206 | SET SCREW | 1 |
| 190 | 422040750002 | POINTER | 1 |
| 191 | 901061103036 | SELF-TAP SCREW | 1 |
| 195 | 422391010001S | BOX-END WRENCH | 1 |
| 196 | 955010501472 | OPEN-END WRENCH | 1 |
| 251 | 901020100567S | MACHINE SCREW | 2 |
| 252 | 402071045007S | SPACER | 2 |
| 253 | 438010170101S | SWITCH | 1 |
| 254 | 402071115002S | STUD | 1 |
| 255 | 438010010036 | SWITCH BOX | 1 |
| 256 | 422400140006 | MOUNTING BRACKET-LVC | 1 |
| 257 | 901051631126S | SCREW | 2 |
| 258 | 901030331881 | SCREW | 1 |
| 259 | 904010101620S | WASHER | 1 |
| 260 | 902010101300S | HEX NUT | 1 |
| 261 | 422047250003 | LVC MTG HARDWARE | 1 |

Parts List for 36-R51L Type 1

| Item Number | Part Number | Description | Qty Required |
|-------------|---------------|--------------------|--------------|
| 275 | 901024531123S | SCREW | 2 |
| 276 | 438013170153 | STARTER | 1 |
| 276 | 438013170154 | STARTER | 1 |
| 277 | 438010040007S | CLAMP | 2 |
| 278 | 438010110054S | INSULATOR SLEEVE | 2 |
| 279 | 902012931513S | KEPS NUT | 2 |
| 280 | 422400140014 | BRACKET | 1 |
| 282 | 901030331881 | SCREW | 1 |
| 283 | 904010101620S | WASHER | 1 |
| 284 | 902010101300S | HEX NUT | 1 |
| 285 | 422407250001 | HARDWARE PACK | 1 |
| 856 | 438010040054 | CABLE TIE | 1 |
| 856 | 438023146202 | 3PH 5HP 230V MOTOR | 1 |
| 856 | 438023146200 | 1PH 5HP 230V MOTOR | 1 |
| 856 | 438023146202 | 3PH 5HP 230V MOTOR | 1 |
| 856 | 438013020381 | CORD 230V. | 1 |
| 856 | 438013022004 | CORD | 1 |
| 856 | 438023146201 | 1PH 3HP 230V MOTOR | 1 |
| 856 | 438023146200 | 1PH 5HP 230V MOTOR | 1 |