



36-L31, 36-L31X, 36-L51, 36-L51X,
36-L51L, & 36-L53L

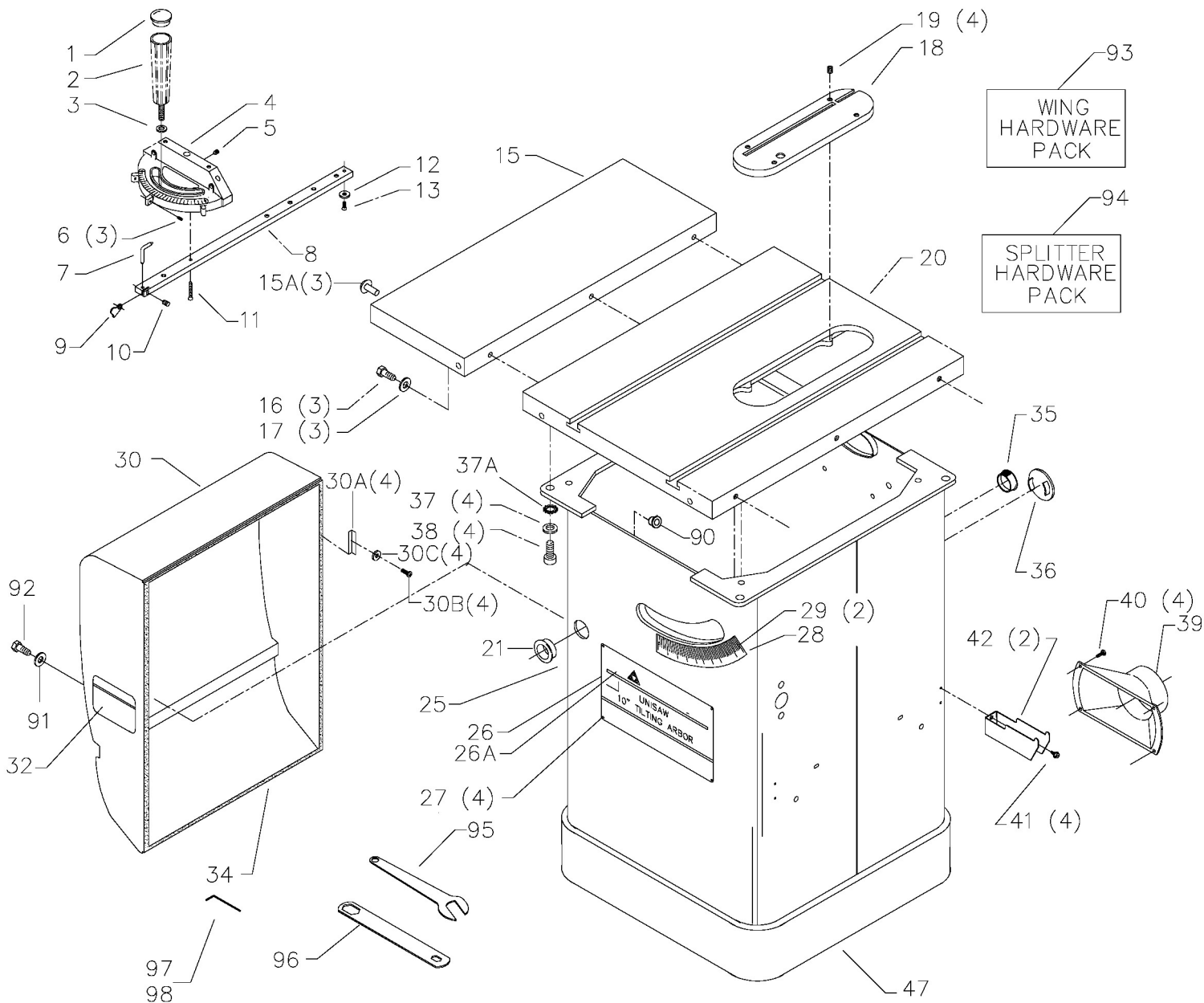
UNISAW®

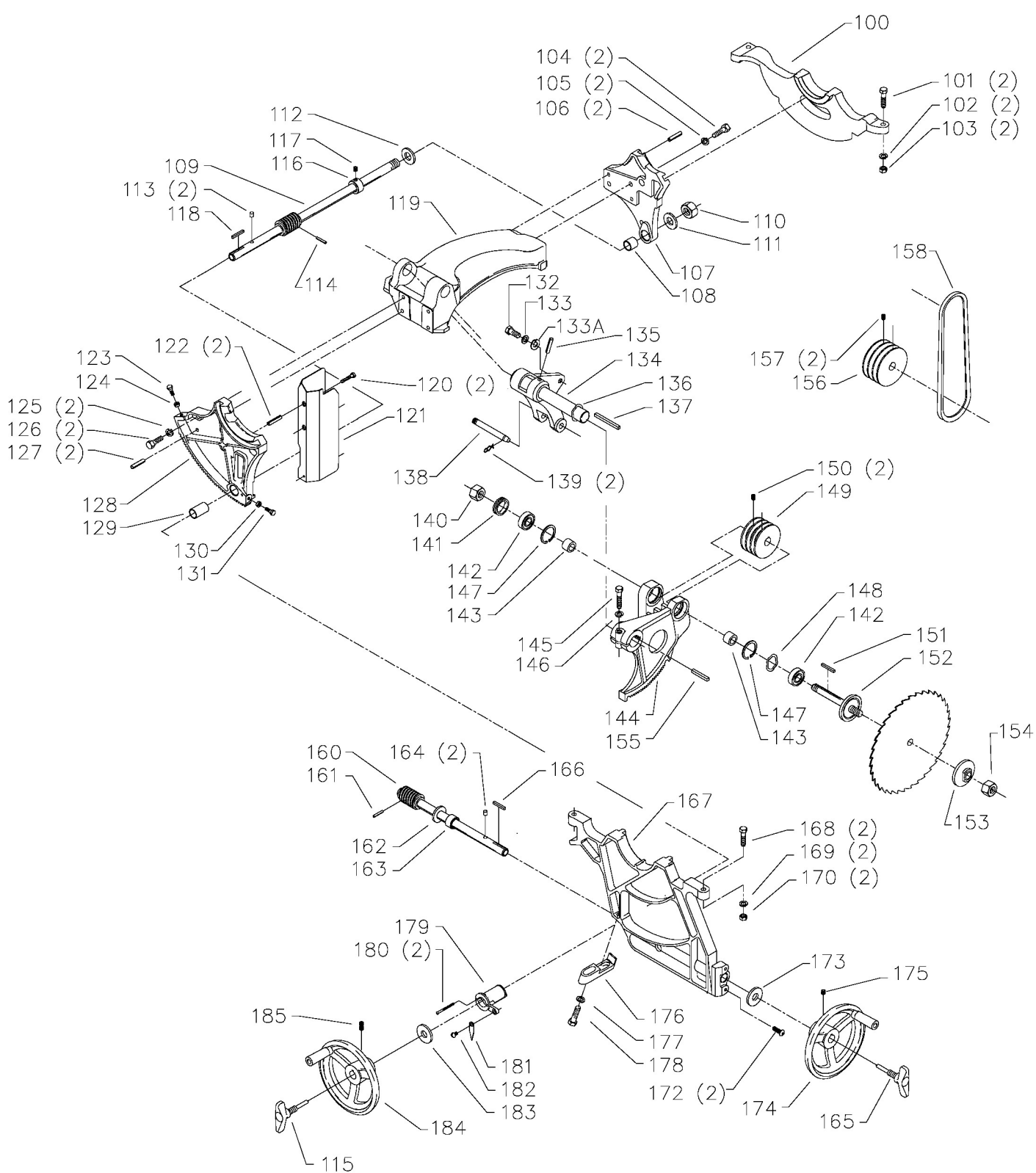
10" LEFT TILTING ARBOR SAW

CS-4K-17-2

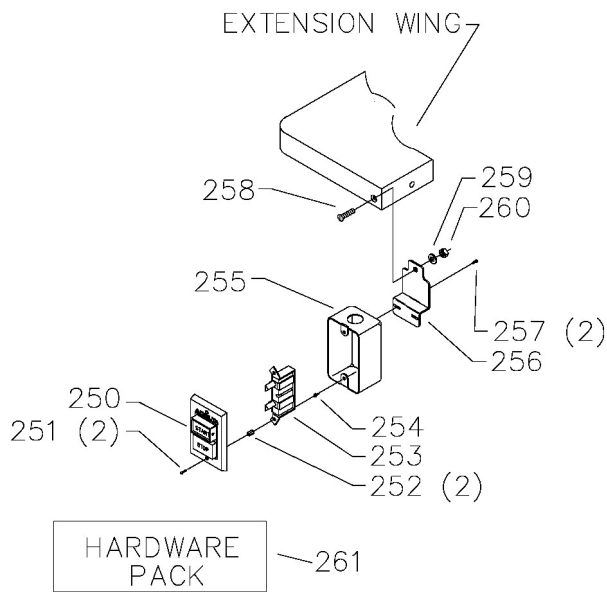
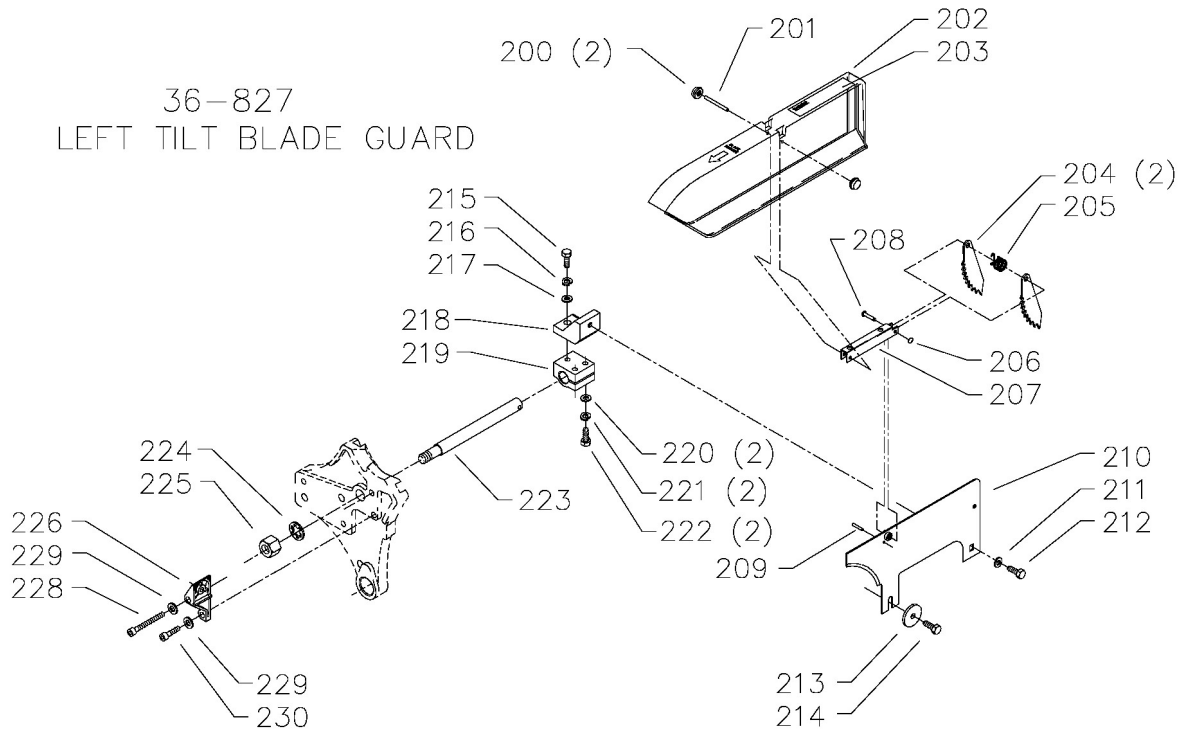
PART NO 42240651-0019

Date 060304

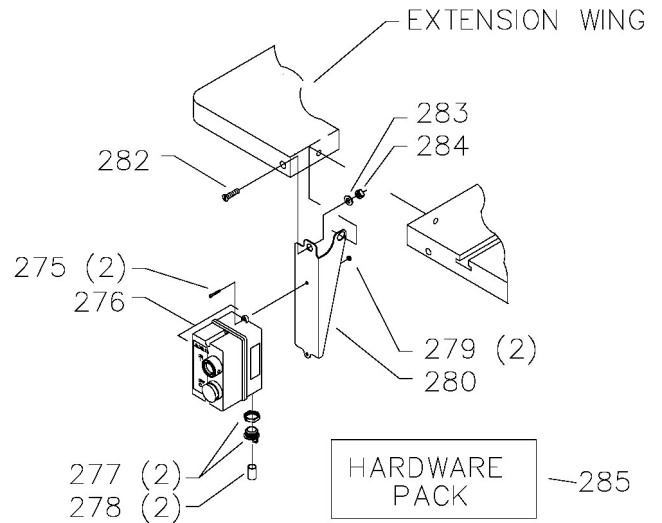




36-827
LEFT TILT BLADE GUARD



FOR USE WITH LVC MODELS ONLY



FOR USE WITH GPE MODELS ONLY