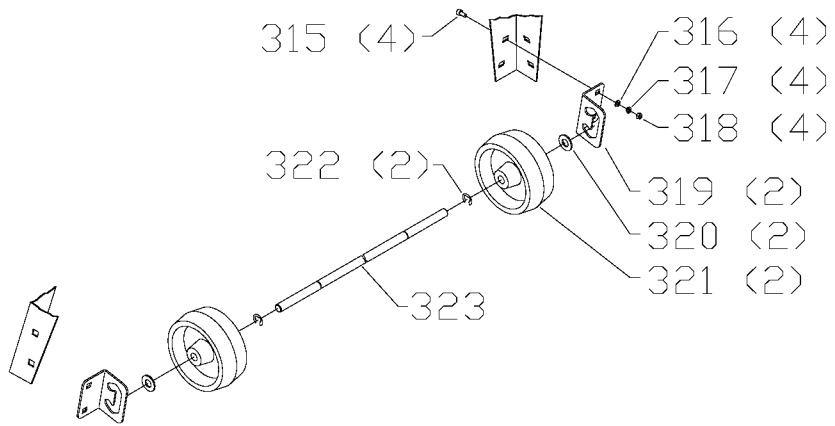


STAND HARDWARE
PACK

310

AVAILABLE AS AN ACCESSORY



Parts List for 36-650 Type 2

Item Number	Part Number	Description	Qty Required
1	1313270	PUSH NUT	2
2	1313271	PIN	1
3	1344974	SEE THRU GUARD	1
3	642545	BLADE GUARD ASSY	1
4	1313273	PIN	1
5	1313274	BRACKET	1
6	1313275	LOCK RING	1
7	1313276	SPRING	1
8	901110231476S	BOLT	1
9	1344975	SPLITTER	1
9	1310311	ROLL PIN	1
9	1313279	ANTI-KICKBACK FINGER	2
10	1344976	BRACKET	1
11	904010101620S	WASHER	1
12	902010101300S	HEX NUT	1
13	901010600626S	CAP SCREW	2
14	904010101614S	STEEL WASHER	2
15	491957-00	LOCK WASHER	2
16	904010312934S	WASHER	2
17	901030100755S	CAP SCREW	1
18	901030100230S	SCREW	1
19	1344978	SPLITTER BRACKET	1
20	1344977	PLATE	1
21	901010600649S	CAP SCREW	1
30	1344605	REAR RAIL	1
31	901010600642	CAP SCREW	4
32	1320093	WASHER	4

Parts List for 36-650 Type 2

Item Number	Part Number	Description	Qty Required
33	904020201704S	LOCK WASHER	4
35	1344592	TABLE INSERT	1
36	901044615297	SCREW	4
37	1344606	TABLE	1
38	901042931395	NYLOC SET-SCREW	2
40	651028-00	EXTENSION WING	2
41	901010600680	CAP SCREW	6
43	904010101638	STEEL WASHER	6
44	000000-00	No Longer Available	1
45	902709	SCALE	1
46	1352011	SCREW	4
47	1344597	END PLUG LH	1
48	1344596	END PLUG RH	1
49	904010101615	STEEL WASHER	4
50	904020201704S	LOCK WASHER	4
51	1350291S	HEX NUT	8
55	A26264	MITER GAGE	1
69	1344602	POWER CORD	1
70	1344609	SWITCH BOX	1
71	901030308013S	SCREW	1
72	438010170206S	SWITCH	1
73	1344601	SWITCH PADDLE	1
74	1344608	SWITCH PLATE	1
75	901051631126S	SCREW	2
76	1310210	LOCKWASHER	4
77	1344599	CORD W/FEMALE DISCON	1
78	1344607	SWITCH BOX	1

Parts List for 36-650 Type 2

Item Number	Part Number	Description	Qty Required
79	488974-00	PAN HEAD SCREW	3
80	1340406	SCREW	1
81	489026-00	HEX NUT	1
82	489191-00	HEX NUT	1
83	904020201704S	LOCK WASHER	1
84	904010101615	STEEL WASHER	1
85	000000-00	No Longer Available	1
85	902711	NAMEPLATE	1
86	000000-00	No Longer Available	1
87	1087794	RIVET	1
88	1246047	MACH SCREW	2
89	904010315655	WASHER	4
90	1343390	SPRING WASHER	4
91	489047-00	CAP SCREW	4
92	1340719	CLAMP	2
93	489047-00	CAP SCREW	8
94	904010101620S	WASHER	16
95	904020101703S	LOCK WASHER	8
96	902010101300S	HEX NUT	8
97	1344604	BRACKET	1
98	901020100506	MACHINE SCREW	2
99	902015031514	FLANGED HEX NUT	2
100	000000-00	No Longer Available	1
101	488871-00	LOCK NUT	1
102	1344970	END PLUG	1
103	1344971	REAR CLAMP	1
104	1341783	SCREW	1

Parts List for 36-650 Type 2

Item Number	Part Number	Description	Qty Required
105	000000-00	No Longer Available	1
106	1246193	ROLL PIN	1
107	000000-00	No Longer Available	2
108	000000-00	No Longer Available	1
109	1246014	CAP SCREW	2
110	1344967	MYLAR STRIP	2
111	1344966	SPECIAL SCREW	2
112	1344965	SPACER PLATE	2
113	1345382	HEX NUT	1
114	000000-00	No Longer Available	1
115	000000-00	No Longer Available	1
116	000000-00	No Longer Available	1
117	000000-00	No Longer Available	1
118	1344961	POINTER	1
119	1350276S	WASHER	2
120	901020100593	MACHINE SCREW	2
121	904010101620S	WASHER	2
122	901010600605	CAP SCREW	2
123	1344972	FENCE	1
124	000000-00	No Longer Available	1
125	000000-00	No Longer Available	1
200	1344990	ARBOR NUT LH	1
201	1344991	FLANGE	1
202	1344992	ARBOR SHAFT	1
204	928060207382S	LOAD SPRING	1
205	1344994	SHAFT	1
206	1344993	SPACER	1

Parts List for 36-650 Type 2

Item Number	Part Number	Description	Qty Required
207	1344995	BRACKET	1
208	1243300	PIN	1
209	1086894S	BEARING	1
210	1344996	BEARING CLOSURE NUT	1
211	1344997	SPACER	1
212	1344998	PULLEY HALF	1
213	902010201226S	NUT	1
214	1345000	BRACKET	1
215	904010101604S	STEEL WASHER	2
216	1343390	SPRING WASHER	2
217	901010600649S	CAP SCREW	2
218	902012831393	LOCK NUT	2
219	1344999	REAR TRUNNION	1
220	644224	MOTOR	1
221	428070790009	KEY	1
222	1345008	MOTOR PULLEY	1
223	901041500206	SET SCREW	1
224	49-034	BELT	1
225	5140081-98	SCREW	1
226	904030301757S	LOCK WASHER	1
227	1345005	PLATE	1
228	904010101614S	STEEL WASHER	1
229	1345006	SPACER	1
230	489026-00	HEX NUT	1
231	1345007	COVER	1
232	904030301757S	LOCK WASHER	1
233	902040101402	WING NUT	1

Parts List for 36-650 Type 2

Item Number	Part Number	Description	Qty Required
234	902010101300S	HEX NUT	4
235	904030301656S	LOCK WASHER	4
236	904010101620S	WASHER	4
237	1345003	MOTOR PLATE	1
238	901110200834S	CARRIAGE BOLT	4
240	1345001	PIN	1
241	1345002	SPRING	1
242	1345001	PIN	1
243	1344989	TIE BAR	2
244	928060131676	WAVE WASHER	1
245	902010201226S	NUT	1
246	1344988	ELEVATING SHAFT ASSY	1
247	000000-00	No Longer Available	2
248	901041419152	SCREW	1
249	000000-00	No Longer Available	1
250	1344987	FRONT TRUNNION	1
251	1344986	SLEEVE	1
252	1344981	SPACER	1
253	000000-00	No Longer Available	1
254	904010101614S	STEEL WASHER	1
255	901030103309S	CAP SCREW	1
256	902900	HANDWHEEL ASSY	1
257	1313239	WASHER	1
258	902898	KNOB	1
259	902012831393	LOCK NUT	2
260	000000-00	No Longer Available	2
261	1344984	TILT SHAFT ASSY	1

Parts List for 36-650 Type 2

Item Number	Part Number	Description	Qty Required
262	1344983	ECCENTRIC	1
263	904010101604S	STEEL WASHER	2
264	1343390	SPRING WASHER	2
265	901010600649S	CAP SCREW	2
266	491950-00	SET SCREW	2
267	1344982	FRONT TRUNNION BRACK	1
267	1345086	SHIM	2
268	1345084	JAM NUT	1
269	489192-00	FIBER WASHER	1
270	1344985	COLLAR	2
271	902900	HANDWHEEL ASSY	1
272	1313239	WASHER	1
273	902898	KNOB	1
274	1313232	WRENCH	1
275	955010501482	WRENCH	1
301	902913	BRACKET	1
302	902914	BRACKET	2
303	902010101300S	HEX NUT	16
304	904020101703S	LOCK WASHER	16
305	904010101620S	WASHER	16
306	901110231476S	BOLT	16
307	902912	BRACKET	2
308	427990480001	FOOT	4
309	000000-00	No Longer Available	4
309	1345010	STEEL STAND	1
310	000000-00	No Longer Available	1
315	901110231476S	BOLT	4

Parts List for 36-650 Type 2

Item Number	Part Number	Description	Qty Required
316	904010101620S	WASHER	4
317	904020101703S	LOCK WASHER	4
318	902010101300S	HEX NUT	4
319	1345079	WHEEL SUPPORT BRACKE	2
320	904010315734	SPEC WSHR	2
321	000000-00	No Longer Available	2
321	000000-00	No Longer Available	1
322	1340725	RET RING	2
323	000000-00	No Longer Available	1