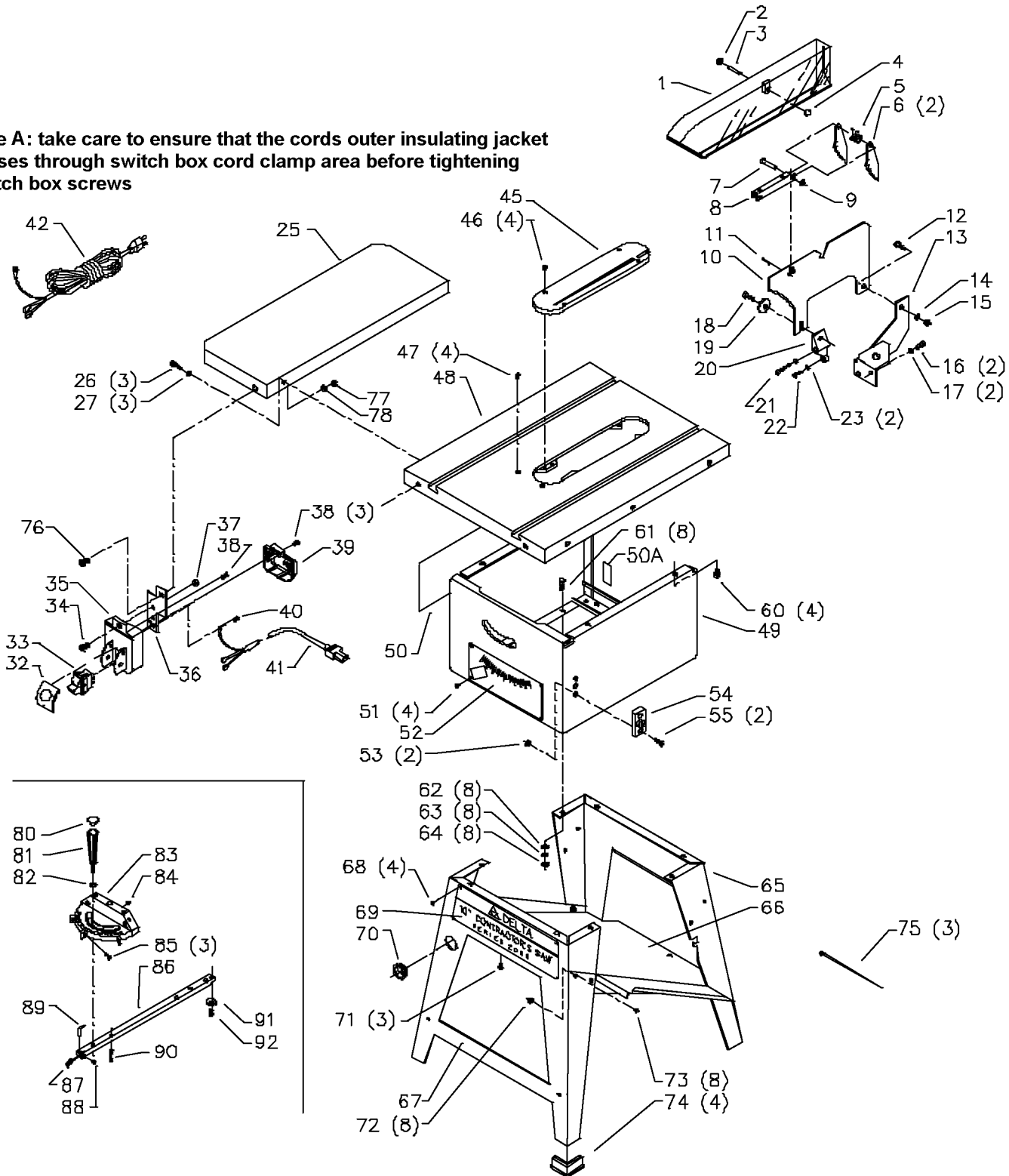
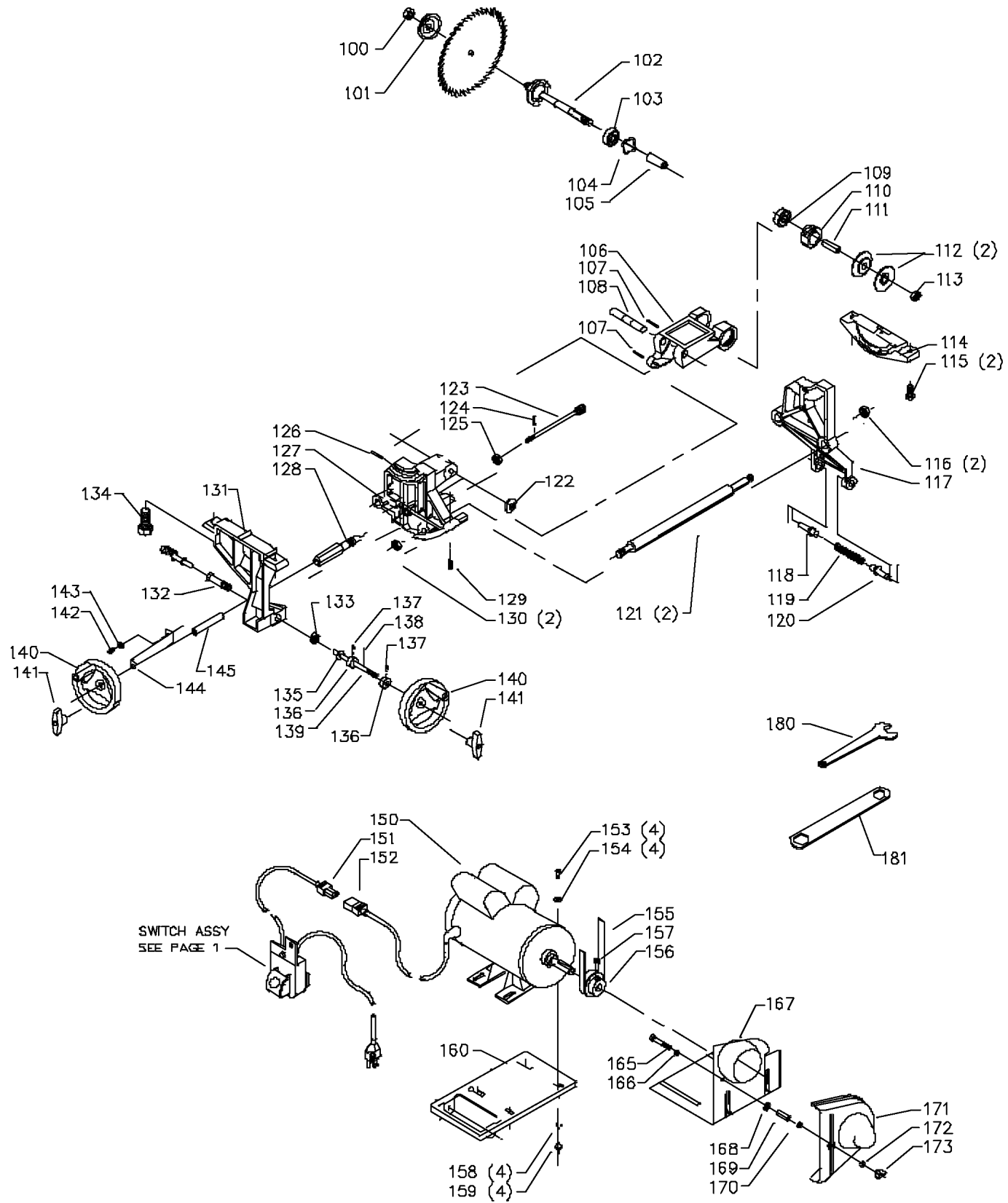
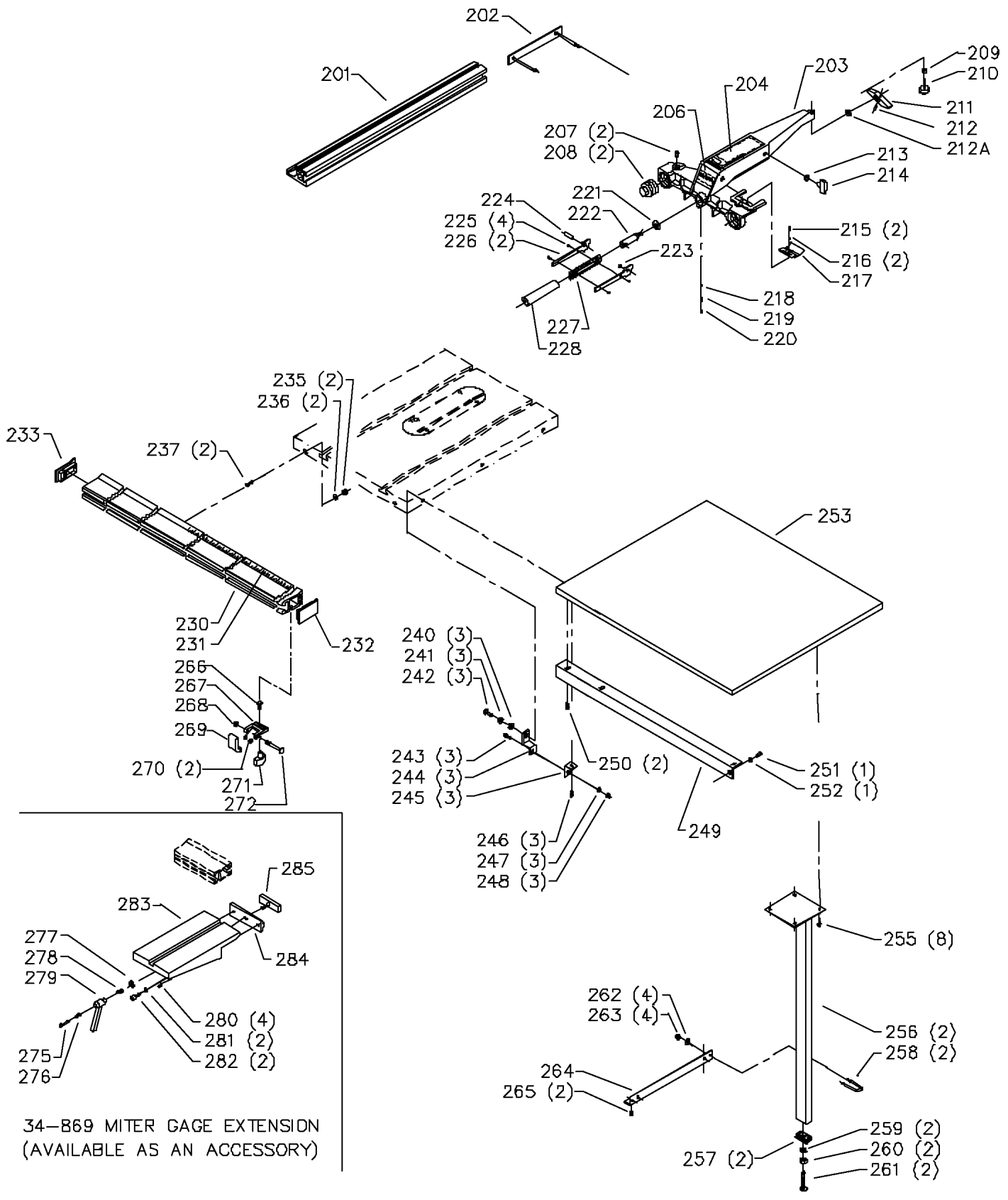


Note A: take care to ensure that the cords outer insulating jacket passes through switch box cord clamp area before tightening switch box screws







34-869 MITER GAGE EXTENSION
 (AVAILABLE AS AN ACCESSORY)

Parts List for 36-477 Type 1

Item Number	Part Number	Description	Qty Required
1	A23469	GUARD ASSY	1
1	1086935	BLADE GUARD	1
1	1086334S	SEE THRU GUARD	1
2	1086388S	PUSH NUT CAP	1
3	1087811S	PIN	1
4	1086388S	PUSH NUT CAP	1
5	1086353S	SPRING	1
6	422160470001S	KICK BACK FINGER	2
7	422040710007S	PIN	1
8	1086337S	PIVOT BRACKET	1
9	1086387S	PUSH NUT	1
10	422040860002S	SPLITTER W/BUSHING	1
11	905010106729S	PIN	1
12	901110231476S	BOLT	1
13	422190890003S	BRACKET	1
14	904010101620S	WASHER	1
15	902010101300S	HEX NUT	1
16	901010600626S	CAP SCREW	2
17	904010101614S	STEEL WASHER	2
18	901010600649S	CAP SCREW	1
19	422030720001S	PLATE	1
20	422040140037S	SPLITTER BRACKET	1
21	901030100230S	SCREW	1
22	901030100755S	CAP SCREW	1
23	904010101614S	STEEL WASHER	2
25	A24617S	10INUNIV WING	1
26	901010600664S	CAP SCREW	3

Parts List for 36-477 Type 1

Item Number	Part Number	Description	Qty Required
27	904100312097S	SPECIAL WASHER	3
32	422390670001	SWITCH ACTUATOR	1
33	438010170206S	SWITCH	1
33	000000-00	No Longer Available	1
34	901030308013S	SCREW	1
35	000000-00	No Longer Available	1
36	422190010003S	SWITCH PLATE	1
37	489026-00	HEX NUT	1
38	901051631229	PAN HEAD SCREW	3
39	422390130001	SWITCH BOX	1
40	901051631126S	SCREW	1
41	438013020671	FEMALE DISCONNECT	1
42	438013020672	CORD SET	1
45	34-154	STD INS 10IN CONT SW	1
46	901044615297	SCREW	4
47	901042931395	NYLOC SET-SCREW	4
48	000000-00	No Longer Available	1
49	422193180011	CABINET ASSY	1
50	000000-00	No Longer Available	1
50	000000-00	No Longer Available	1
51	1087794	RIVET	4
52	000000-00	No Longer Available	1
53	902015031514	FLANGED HEX NUT	2
54	422190890007S	BRACKET	1
55	901020500704	CAP SCREW	2
60	000000-00	No Longer Available	4
61	489047-00	CAP SCREW	8

Parts List for 36-477 Type 1

Item Number	Part Number	Description	Qty Required
62	904010101620S	WASHER	8
63	904020101703S	LOCK WASHER	8
64	902010101300S	HEX NUT	8
65	436061230003	LEG PANEL-REAR	1
66	000000-00	No Longer Available	1
67	000000-00	No Longer Available	1
68	1087794	RIVET	4
69	000000-00	No Longer Available	1
70	000000-00	No Longer Available	1
71	901052131498	SCREW	3
72	902012931513S	KEPS NUT	8
73	901024531123S	SCREW	8
74	427990480001	FOOT	4
75	438010040054	CABLE TIE	3
76	901030331046S	FLAT HEAD SCREW	1
77	902010101300S	HEX NUT	1
78	904010101620S	WASHER	1
80	422020740001S	HOLE PLUG	1
81	422020600003S	HANDLE	1
82	904070105555S	FIBRE WSHR	1
83	422013550004	MITER GAGE BODY	1
83	34-895	MITER GAUGE	1
84	901041501181S	SET SCREW	1
85	901041509428S	SET SCREW	3
86	34-895	MITER GAUGE	1
87	422010880004S	STOP LINK	1
88	901041501181S	SET SCREW	1

Parts List for 36-477 Type 1

Item Number	Part Number	Description	Qty Required
89	422010750001S	POINTER	1
90	422011120001S	SCREW	1
91	422040720001S	PLATE	1
92	901020305750S	MACHINE SCREW	1
100	902012009848S	ARBOR NUT-LH	1
101	422041035001S	FLANGE	1
102	422193030002	ARBOR ASSY	1
103	1086894S	BEARING	1
104	928060207382S	LOAD SPRING	1
105	1087857S	SPACER	1
106	422020140017	ARBOR BRACKET	1
107	905010102710	ROLL PIN	1
108	000000-00	No Longer Available	1
109	1086894S	BEARING	1
110	902070207176S	BEARING CLOSURE NUT	1
111	422191040005	SPACER	1
112	422191300001	PULLEY HALF	2
113	902010201226S	NUT	1
114	422020140010	TRUNNION BRACKET-R	1
115	000000-00	No Longer Available	2
116	902012831393	LOCK NUT	2
117	422190950004	REAR TRUNNION	1
118	422190710002	PIN	1
119	422191220001	SPRING	1
120	422190710002	PIN	1
121	422190040002S	TIE BAR	2
122	928060131779	WAVE WASHER	1

Parts List for 36-477 Type 1

Item Number	Part Number	Description	Qty Required
123	422354060001	ELEVATING SHAFT ASSY	1
124	905010102711	ROLL PIN	1
124	905010102716	PIN	2
125	902010201226S	NUT	1
126	905010102706S	ROLL PIN	1
127	000000-00	No Longer Available	1
128	422351050001S	SLEEVE	1
129	901041419152	SCREW	1
130	902012831393	LOCK NUT	2
131	1087233	TRUNNION BRACKET -F	1
132	000000-00	No Longer Available	1
133	902010209145	HEX NUT	1
134	000000-00	No Longer Available	1
135	904070105554	WASHER	1
136	426033880001	SET COLLAR ASSY	2
137	491950-00	SET SCREW	2
138	905010102711	ROLL PIN	1
139	000000-00	No Longer Available	1
140	1086491	HANDWHEEL ASSY	2
141	422191380003	KNOB	2
142	901030103309S	CAP SCREW	1
143	904010101614S	STEEL WASHER	1
144	422190750001	POINTER	1
145	422191040001	SPACER	1
150	438023142062	MOTOR	1
151	438013020671	FEMALE DISCONNECT	1
152	438013020661	CORD W/MALE CONNECT	1

Parts List for 36-477 Type 1

Item Number	Part Number	Description	Qty Required
153	901110200834S	CARRIAGE BOLT	4
154	904010101620S	WASHER	4
155	49-034	BELT	1
156	926010419366	MOTOR PULLEY 2-1/4OD	1
157	901041500206	SET SCREW	1
158	904030301656S	LOCK WASHER	4
159	902010101300S	HEX NUT	4
160	5140028-47	MOTOR PLATE	1
165	5140081-98	SCREW	1
166	904030301757S	LOCK WASHER	1
167	1088314S	PLATE	1
168	904010101614S	STEEL WASHER	1
169	424030170003	SPACER	1
170	489026-00	HEX NUT	1
171	1088315	COVER	1
172	904030301757S	LOCK WASHER	1
173	902040101402	WING NUT	1
180	955010501472	OPEN-END WRENCH	1
181	422391010001S	BOX-END WRENCH	1
201	000000-00	No Longer Available	1
202	400063270001	CLAMP ASSY	1
203	400063120005S	FENCE BODY	1
204	000000-00	No Longer Available	1
206	422277540007	LABEL	1
207	422391120005S	LEVELING SCREW	2
208	422390480001S	ADJUSTMENT PLUG	2
208	422390480001S	ADJUSTMENT PLUG	1

Parts List for 36-477 Type 1

Item Number	Part Number	Description	Qty Required
209	902010101300S	HEX NUT	1
210	422270480001	REAR SUPPORT FOOT	1
211	422270680003S	LOCKING LUG	1
212	905010102702	ROLL PIN	1
212	908250131808	O-RING	1
213	904010101620S	WASHER	1
214	424120600005S	KNOB	1
215	901024431812	SCREW	2
216	904010131738	WASHER	2
217	400063750002S	CURSOR	1
218	921011100001	BALL	1
219	928012500001	SPRING	1
220	901041509440	SET SCREW	1
221	422271040002	THRUST WASHER	1
222	422391060002S	SHAFT	1
223	908250131756S	O-RING	1
224	905011031370	ROLL PIN	1
225	901051631229	PAN HEAD SCREW	4
226	422390190001	CAM HANDLE	2
227	422391380002	HANDLE	1
228	422391050001S	GRIP	1
230	000000-00	No Longer Available	1
231	400061320001S	SCALE	1
232	422270200004	END CAP	1
233	422270200003	END CAP	1
234	902010101207	HEX NUT	1
235	489191-00	HEX NUT	2

Parts List for 36-477 Type 1

Item Number	Part Number	Description	Qty Required
236	904010101615	STEEL WASHER	2
237	901010600642	CAP SCREW	2
240	904010101638	STEEL WASHER	3
241	904020101716	LOCK WASHER	3
242	901010600680	CAP SCREW	3
243	901110200821	CARRIAGE BOLT	3
244	422270140003S	ADAPTER	3
245	422270890007S	ANGLE BRACKET	3
246	901250431791	SCREW	3
247	904010101614S	STEEL WASHER	3
248	489026-00	HEX NUT	3
249	422270890016	TABLE SUPPORT	1
250	901250431791	SCREW	2
251	901010600612S	CAP SCREW	1
252	904010101614S	STEEL WASHER	1
253	000000-00	No Longer Available	1
255	901250431791	SCREW	8
256	000000-00	No Longer Available	2
257	422390010009	LEG ADAPTER	2
258	422391120006	U-BOLT	2
259	904010101615	STEEL WASHER	2
260	489191-00	HEX NUT	2
261	901091315295S	LEVELING SCREW	2
262	904010101614S	STEEL WASHER	4
263	489026-00	HEX NUT	4
264	000000-00	No Longer Available	1
265	901250431791	SCREW	2

Parts List for 36-477 Type 1

Item Number	Part Number	Description	Qty Required
266	901010600649S	CAP SCREW	1
267	422270840007S	BRACKET	1
268	902012122409S	STOP NUT	1
269	422270880002S	STOP	1
270	904070105573S	WASHER	2
271	424120600005S	KNOB	1
272	901010600622S	CAP SCREW	1
275	000000-00	No Longer Available	1
276	000000-00	No Longer Available	1
276	000000-00	No Longer Available	1
277	000000-00	No Longer Available	1
278	000000-00	No Longer Available	1
279	000000-00	No Longer Available	1
280	1246010	SET SCREW	4
281	491956-00	WASHER	2
282	1246074	HEX HD CAP SCR	2
283	000000-00	No Longer Available	1
284	000000-00	No Longer Available	1
285	000000-00	No Longer Available	1
403	422196260009	STAND ASSY	1
407	000000-00	No Longer Available	1
408	000000-00	No Longer Available	1
409	000000-00	No Longer Available	1