



# SERVICE PARTS LIST

**BUL. 54-46-0301**

## DRILL STAND

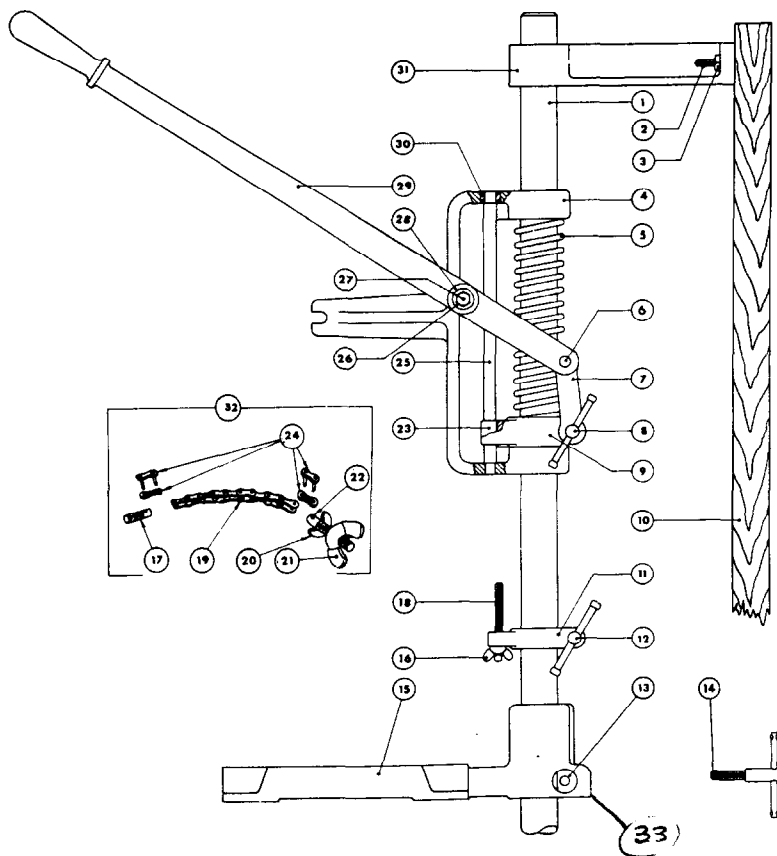
**Catalog No. 3580**

Starting Serial No.

REVISED BUL 658-2 DATE Feb. '68

WIRING INSTR.

Both Model and Serial No. must be furnished to obtain correct parts.



### ILLUSTRATED PARTS

FIG.	PART NO.	DESCRIPTION OF PART	FIG.	PART NO.	DESCRIPTION OF PART
1	44-74-0060	Post	17	45-58-0080	Chain Fastening Stud
2	06-10-2000	Wall Board Bolt (Car. Bolt)	(4)	18	Collar Adj. Screw (Sq. Hd.)
3	06-55-2400	Wall Board Nut	(4)	19	Chain
4	30-24-0481	Cradle	*20	45-88-5261	Chain Adj. Bolt Washer
5	40-50-2900	Coil Spring	21	06-59-1000	Chain Adj. Bolt Wing Nut
6	06-65-2800	Handle Link Pin	22	42-32-0080	Chain Adjusting Bolt
7	30-59-0201	Handle Link	23	44-98-0050	Guide Bar Runner
8	45-04-0180	Bar Clamp T Screw Assembly	24	see item 19	Connecting Link (2)
9	30-20-0101	Bar Clamp	25	42-18-0060	Guide Bar
10	45-86-0050	Wall Board	*26	45-88-5261	Han. Swivel Sc. Washer
11	30-86-0101	Bar Collar Stop	27	06-75-0600	Handle Swivel Screw
12	45-04-0150	Bar Collar Stop T Screw Ass'y.	28	42-40-0140	Handle Swivel Sc. Bushing
13	45-90-0050	Post Wedge	29	30-44-0101	Handle
14	45-58-0070	Post Wedge T Screw Assembly	30	42-40-0150	Guide Bar Lock Bushing
15	30-07-5121	Base	31	30-13-0201	Wall Bracket (2)
16	06-59-1500	Thr'd Collar Stop Set Screw Wing Nut	32	42-60-0075	Cradle Chain Assembly
			33	30-89-0301	Column Support

### MISCELLANEOUS PARTS NOT SHOWN

PART NO.	DESCRIPTION OF PART	PART NO.	DESCRIPTION OF PART
*45-88-5261	Wall Board Bolt Washers (4)	06-77-0450	4x1/4 Rd. Driv-In Name Plate Screws (2)
06-83-2940	3/8x16x1/2 Allen Hd. Wall Bracket Set Screw (2)	06-75-0550	3/8-16x1-3/8 Hex. Hd. Column Support Cap Scr. (4)
06-81-7850	1/4-20x1 Fil. Hd. Bar Clamp Adj. Screw	06-55-1500	1/4-20 Thrd. Bar Clamp Lock Nut
*12-17-0900	Name Plate	*49-96-0080	Socket Wrench