

## Parts List - Head Model J-A3816

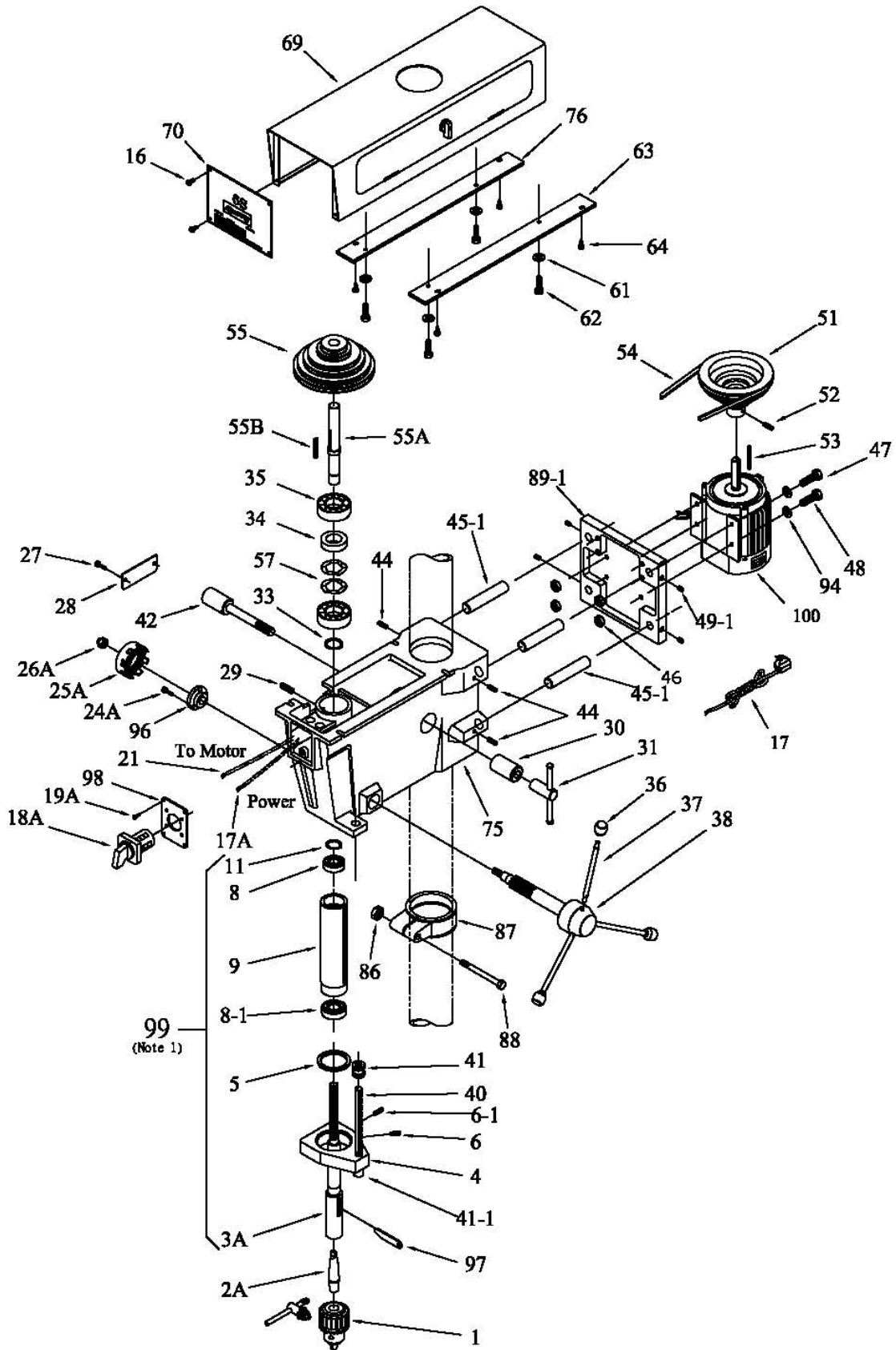
Item	Part No.	Description	Size	Qty.
1	5507580	Chuck (with Key)		1
2A	5507495	Arbor	#2 MT x JT3	1
3A	5507496A	Spindle Assembly		1
4	J-5053070	Quill Band		1
5	9010541	O-Ring		1
6	9054511	Set Screw	5/16-18 x 3/8	2
6-1	9054511A	Flat Head Screw	M6 x 16	1
7	5032611	Bearing Retainer		1
8	9100331	Bearing	6203ZZ	1
8-1	9100331A	Bearing	6204ZZ	1
9	5041010	Quill		1
10	9058561	Wavy Spring Washer		1
11	9074081	Truarc Retainer		1
13	9056981	Hex Jam Nut	1/4-20	3
16	9052711	Self Tapping Screw	8-32 x 3/8	4
17	5518157	Power Cord (Single Phase)		1
17A	5517463	Power Cord (3-Phase)		1
18A	5507500	Switch (Single Phase)		1
	5507497	Switch (3-Phase)		1
19A	5507501	Slotted Machine Screw		4
21	5518158	Wiring Harness (1-Phase)		1
	5517457	Wiring Harness (3-Phase)		1
24A	5507502	Socket Head Cap Screw		3
25A	5507503	Return Spring Assembly		1
26A	5507504	Nylon Nut		1
27	5518159	Phillips Screw	1/4-20 x 5/16	2
28	5518160	Cover Plate		1
29	9127731	Socket Set Screw	5/16-18 x 5/16	1
30	5024541	Head Lock (Plain Side)		1
31	1000771	Lock Nut Assembly		1
33	9053661	Retainer		1
34	5041201	Bearing Spacer		1
35	9100321	Bearing		2
36	9070291	Knob		3
37	J-5053000	Spoke		3
38	J-5507827	Feed Shaft Assembly		1
40	5053100A	Rod, Graduated		1
41	9056381	Jam Nut	5/8-11	3
41-1	9056381A	Nut ... M10xP1.5/Spring Washer	M10	1
42	9128611	Hex Head Cap Screw	1/2-13 x 4	1
44	9052191	Socket Set Screw	5/16-18 x 1/2	4
45-1	5032781-1	Motor Plate Bar ( <i>Serial no: 11110696 and higher</i> )		4
46	9057111	Whiz Flange Locknut		4
48	9056171	Carriage Bolt	5/16-18 x 1-1/2	4
49-1	9058051-1	Set Screw ( <i>Serial no: 11110696 and higher</i> )	5/16"	4
51	5518161	Step Pulley (Motor)		1
52	5518162	Socket Set Screw	1/4-20 x 5/16	2
53	5042011	Key (Motor)		1
54	5518163	Drive Belt		1
55	5518164	Step Pulley (Spindle)		1
55A	5518165	Spindle Pulley Shaft		1
55B	5518166	Key	5 x 45	1
57	9058571	Spring Washer		2
61	9057461	Washer	1/4	3
62	9052101	Hex Head Cap Screw	1/4-20 x 1	4
63	J-5518167	Mounting Plate		1

## Parts List - Head Model J-A3816

Item	Part No.	Description	Size	Qty.
64	9138011	Self Tapping Screw	#10 x 3/4 Type A	4
69	J-5518168	Pulley Cover (w/door & latch)		1
70	J-5518169	Face Plate		1
75	J-5041000	Head Casting		1
76	J-5518167L	Left Mounting Plate		1
86	9129051	Hex Nut	7/16-14	1
87	J-5041470	Collar		1
88	9128071	Hex Head Cap Screw	7/16-14 x 3-1/2	1
89-1	J-5032560-1	Motor Mounting Bracket ( <i>Serial no: 11110696 and higher</i> )		1
94	9055281	Rubber Washer		4
96	5507505	Return Spring Bracket		1
97	5507507	Drift Pin		1
98	5507506	Switch Mounting Plate		1
99	5507527A	Quill Assembly (see Note)		1
100	J-5507812	Motor, 1 PH 115/220	1725 RPM 60 Hz	1
	J-5514604	Motor, 1PH 115/220	1725 RPM 50 Hz	1
	J-5507813	Motor, 3 PH 220/440	1725 RPM 50/60 Hz	1

**Note:** Quill assembly includes items 5, 7, 8, 8-1, 9, 10 and 11.

# Exploded View — Head Model J-A3816



**Parts List – Base Floor Models J-A3816, J-A5816 and J-A5818**

Item	Part No.	Description	Size	Qty.
1	1000771	Locknut		1
2	5003751	Table Lock (Plain Side)		1
3	J-5507508	Table		1
4	5507509	Hex Head Cap Screw		1
5	TS-0061091	Cap Screw	7/16-14 x 3-1/2	1
6	J-5041470	Collar		1
7	9129051	Hex Nut	7/16-14	1
8	J-5507528	Base		1
9	5507510	Standard Column		1
	5511850	Short Column		1
10	J-5507511	Flange (Base/Column)		1
11	5630771	HHCS	1/2-12 x 1-1/2	4
12	J-5507571	Cover Plate		1
13	5507570	Bushing		1
14	5507513	Worm, Table Raiser		1
15	5507514	Gear, Table Raiser		1
16	5507515	Shaft, Table Raiser		1
17	5507516	C-Ring, Table Raiser		2
18	TS-0050051	SHCS	1/4 x 1	4
19	5507518	Socket Head Set Screw	5/16-18 x 3/8	1
20	J-5507519	Crank, Table Raiser		1
21	5507520	Handle, Table Raiser		1
22	5507521	Rack		1
23	J-5507522	Rack Ring		1
25	5507816	Table Raiser Assembly (includes index# 12 thru 17)		1

Exploded View – Base Floor Models J-A3816, J-A5816 and J-A5818

