

# Parts

## Replacement Parts

To order parts or reach our service department, call 1-800-274-6848 Monday through Friday (see our website for business hours, [www.waltermeier.com](http://www.waltermeier.com)). Having the Model Number and Serial Number of your machine available when you call will allow us to serve you quickly and accurately.

## Parts List – J-2500, J-2530

Index No.	Part No.	Description	Size	Qty
1A	10600110	Base for J-2530 / JDP-15M		1
1B	10800101	Base for J-2500 / JDP-15MF (not shown)		1
2A	JDP15-1002A	Column Holder for J-2530 / JDP-15M		1
2B	10600204	Column Holder for J-2500 / JDP-15MF		1
3	TS-2279121	Hex Socket Set Screw	M10-12	3
4A	JDP15-1004A	Body Column for J-2530 / JDP-15M		1
4B	JDP15-1004B	Body Column for J-2500 / JDP-15MF		1
	10600404A1	Column Assy for J-2530 / JDP-15M (includes #2A and #4A)		1
	10400401A1	Column Assy for J-2500 / JDP-15MF (includes #2B, #3 and #4B)		1
5	TS-2229403	Hex Head Bolt	M10x40	4
6	10600604	Table Bracket		1
	JDP15-1006	Table Bracket Assy (includes #6 thru #18)		1
7	10600702	Gear		1
8	10600802	Gear Shaft		1
9	10600902	Worm		1
10A	10601009A1	Crank Handle Assy		1
12	JDP15-1012	Table Bracket		1
13	TS-0071011	Hex Head Bolt	5/8-11 x 1-1/2	1
14	TS-2276101	Hex Socket Set Screw	M6-10	1
16	10601601	Tilting Scale		1
17	JDP15-1017	Centering Scale		1
18	JDP15-1018	Drive Screw	Φ 2.3-5	2
19	10601901	Column Lock Handle	M12 x 1.75-35	1
20	10602001	Table Lock Handle	M10 x 1.5	1
21	J-5625221	Table		1
22A	10602204	Rack for J-2530 / JDP-15M		1
22B	10602205	Rack for J-2500 / JDP-15MF		1
23	10602304	Rack Ring	Φ 73.5	1
24	TS-2276081	Hex Socket Set Screw	M6-8	1
25	JDP15-1025	Head		1
26	TS-2279121	Hex Socket Set Screw	M10-12	2
27	JDP15-1027	Lamp Socket		1
28	TS-1534042	Cr. Re. Pan Head Screw	M6-12	2
29	10602901	Handle Shifter		1
30	10603002	Motor Bar Shifter		1
31	TS-2228161	Hex Head Bolt	M8-16	1
32	10603206	Motor Rod		1
33	10603301	Shifter Bolt	M10-33	2
34	10603416	Motor Base	75 x 125mm	1
35	2502NBC412	Spring Washer	Φ1/2"	1
36	TS-1540081	Hex Nut	M12	2
37	10603704	Hub		1
38	10603807	Feed Shaft		1
	JDP15-1038	Feed Shaft Assy (includes #37 thru #39)		1
39	TS-209402	Roll Pin	M5-16	1
43A	JDP15-1043	Handle Bar		1

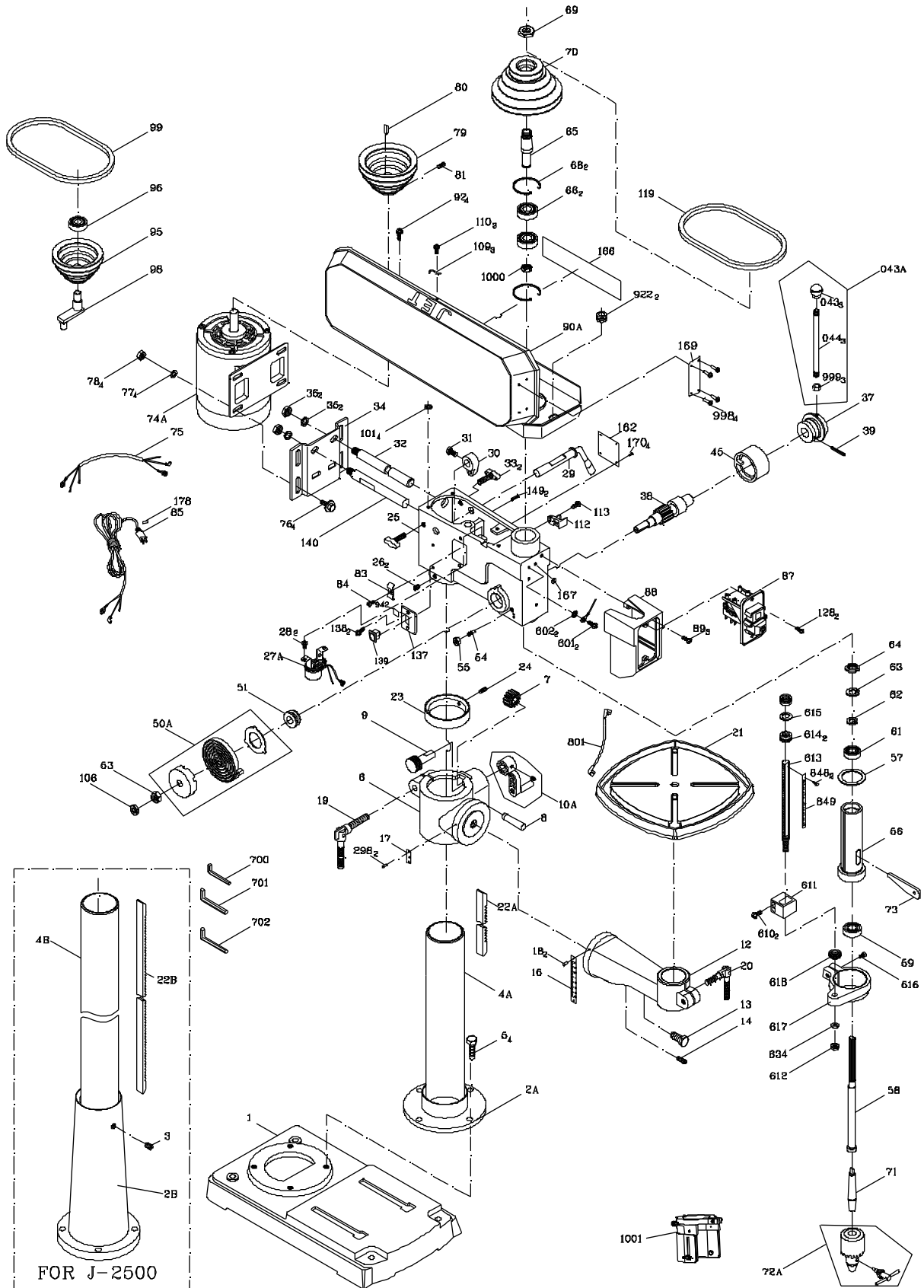
## Parts List – J-2500, J-2530

Index No.	Part No.	Description	Size	Qty
45	10604505	Scale Ring		1
50A	JDP15-1050	Spring Cap		1
51	10605115	Shaft Seat		1
53	TS-0561052	Hex Nut	1/2"-20	1
54	10605403	Quill Set Screw	M10-28	1
55	TS-1540071	Hex Nut	M10	1
56	10605608	Quill	MT2	1
	JDP15-1056	Quill and Spindle Assy (includes #56 thru # 64)		1
57	10605702	Rubber Washer		1
58	10605822	Spindle	MT2	1
59	2001ZZ6204	Ball Bearing		1
61	2001ZZ6203	Ball Bearing		1
62	TS-2360161	Washer	M16	1
63	10606301	Nut Lock		1
64	10606401	Spindle Nut		1
65	10606505	Driving Sleeve		1
	JDP15-1065	Driving Sleeve Assy (includes #65 thru #67)		1
66	2001ZZ6204	Ball Bearing		2
67	10606703	Rack ring	Φ 45 T=4	1
68	10606801	Retaining Ring		2
69	10606904	Pulley Set Nut		1
70	JDP15-1070	Spindle Pulley		1
71	21015M2J30	Drilling Arbor	MT2*JT3	1
72A	JDP15-1072	Chuck Assy		1
73	10607303	Wedge Shifter		1
74	JDP15-1074	Motor		1
	JDP15-1074A	Centrifugal Switch (not shown)		1
	JDP15-1074B	Start Capacitor (not shown)	200MFD 125VAC	1
75	JDP15-1075	Motor Wire		1
76	TS-2208201	Hex. Hd. Screw	M8-20	4
77	TS-1550061	Flat Washer	M8	8
78	TS-1540061	Hex Nut	M8	4
79	JDP15-1079	Motor Pulley		1
80	2571MNC307	Parallel Key	5 x 5-20	1
81	TS-1504021	Hex Socket Set Screw	M8-12	1
83	JDP15-1083	Strain Relief		1
84	TS-1534042	Cr. Re. Pan Head Screw	M6-12	1
85	JDP15-1085	Power Cable		1
87	JDP15-1087	Rocker Switch		1
88	JDP15-1088	Switch Box		1
89	TS-1533042	Cr. Re. Pan Head Screw	M5-12	3
90A	JDP15-1090	Pulley Cover Assy		1
	JDP15-1090A	U Shaped Protecting Rubber (not shown)		1
92	JDP15-1092	Cr. Re. Round Washer Hd. Screw	M6 x 1.0-12	4
95	JDP15-1095	Center Pulley		1
	JDP15-1095A	Center Pulley Assy (includes #95 thru #98)		1
96	JDP15-1096	Ball Bearing		2
98	10609801	Center Pulley Shaft		1
99	VB-A28	V-Belt	A-28	1
101	TS-0680021	Flat Washer	1/4"	4
106	TS-0561052	Hex Nut	1/2"-20	1
109	JDP15-1109	Clamp-Cord		3
110	2668BBDA23	Cr. Re. Pan Head Screw	M5-8	3
112	10611201	Chuck Key Holder		1
113	TS-2286122	Cr. Re. Round Washer Hd. Screw	M6-12	1
119	VB-A26	V-Belt	A-26	1

## Parts List – J-2500, J-2530

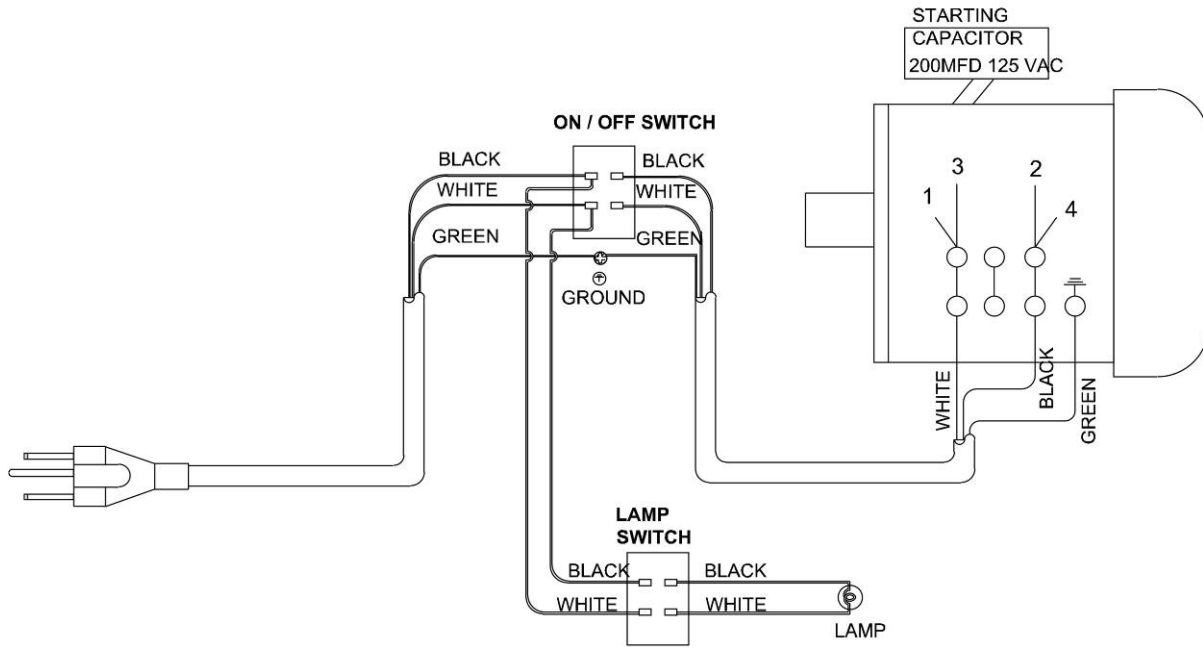
Index No.	Part No.	Description	Size	Qty
128	TS-2285162	Cr. Re. Truss Hd. Tapping Screw	M5-16	2
137	JDP15-1137	Switch Cover		1
138	TS-1533042	Cr. Re. Pan Head Screw	M5-12	2
139	JDP15-1139	Rocker Switch		1
140	10614001	Motor Rod		1
149	2536MBE616	Roll Pin	6-25	2
162	10916202	Warning Label		1
166	JDP15-1166	Speed Diagram		1
169	JDP15-1169	Trade-Mark Label		1
170	2658MZDU36	Drive Screw	Φ 2.3-5	6
601	TS-2245082	Cr. Re. Pan Head Screw	M5-8	4
602	TS-0733031	External Tooth Lock Washer	No 10	2
610	TS-1534692	Cr. Re. Pan Head Screw	M6-35	2
611	JDP15-1611	Cr. Re. Pan Head Screw		1
612	TS-1540071	Hex Nut	M10	1
613	10661301	Set Bolt		1
	JDP15-1613	Set Bolt Assy (includes #613, 848, 849)		1
614	13005701	Nut	M16	2
615	13005601	Washer	Φ24	1
616	TS-1502081	Hex. Soc. Hd. Cap Blot	M5-35	1
617	JDP15-1617	Set Ring		1
618	10661801	Circular Nut		1
634	2502ABC410	Spring Washer	Φ10	1
700	TS-152704	Wrench Hex		1
701	TS-152706	Wrench Hex		1
702	TS-152707	Wrench Hex		1
801	JDP15-1801	Lead Wire Assembly		1
848	JDP15-1848	Drive Screw	Φ 2.3-5	2
849	JDP15-1849	Scale		1
922	2801ABRF04	Strain Relief	Φ 20	2
999	TS-1540081	Hex Nut	M12x10	3
1000	100633Y8	Plastic Sleeve		1
1001	10810401A1	Chuck Guard Assembly		1

# Exploded View – J-2500, J-2530



# Wiring Diagram

J-2500/J-2530 – 115V



J-2500/J-2530 – 230V

