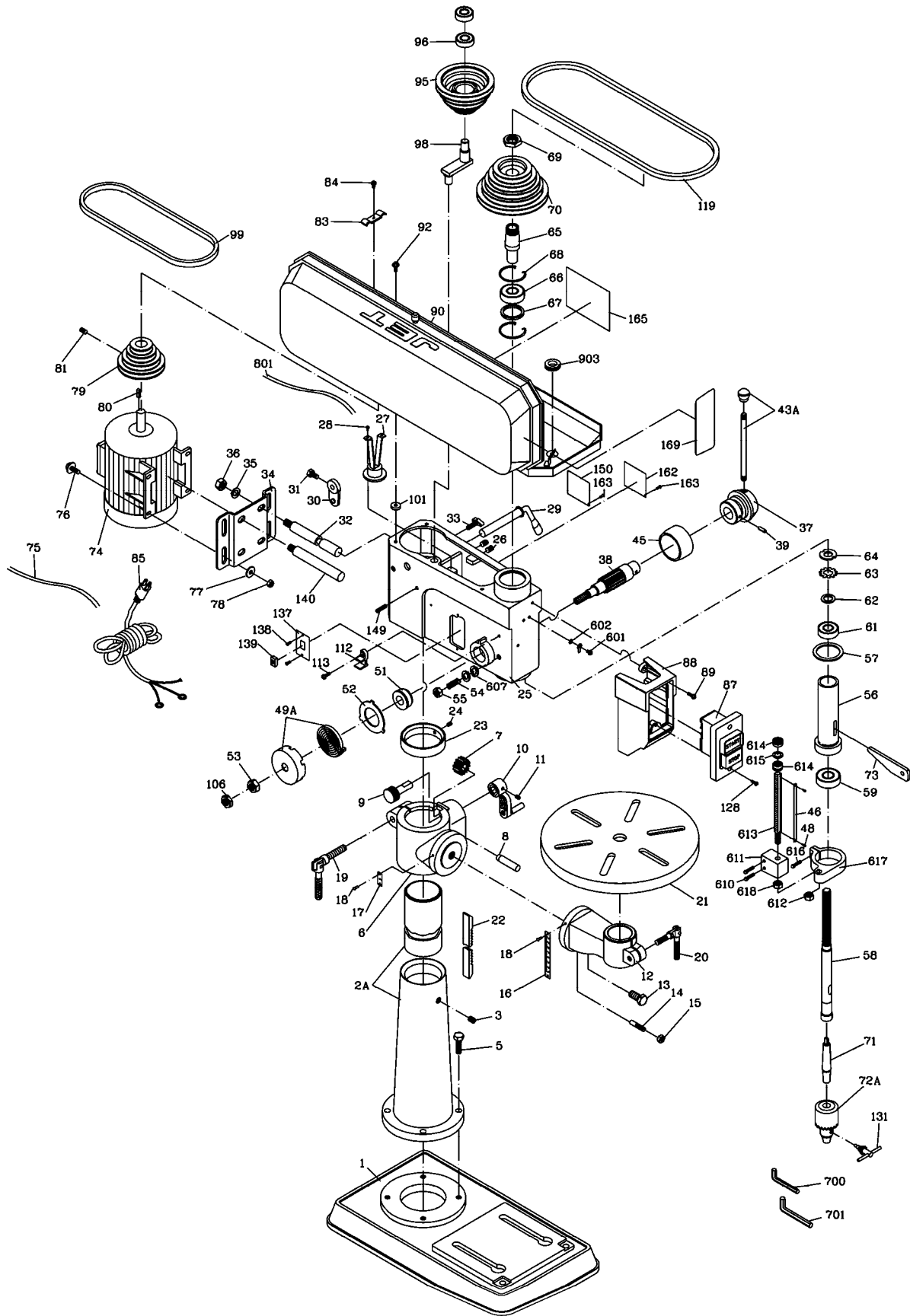


# JDP-17MF Drill Press Assembly



## Parts List

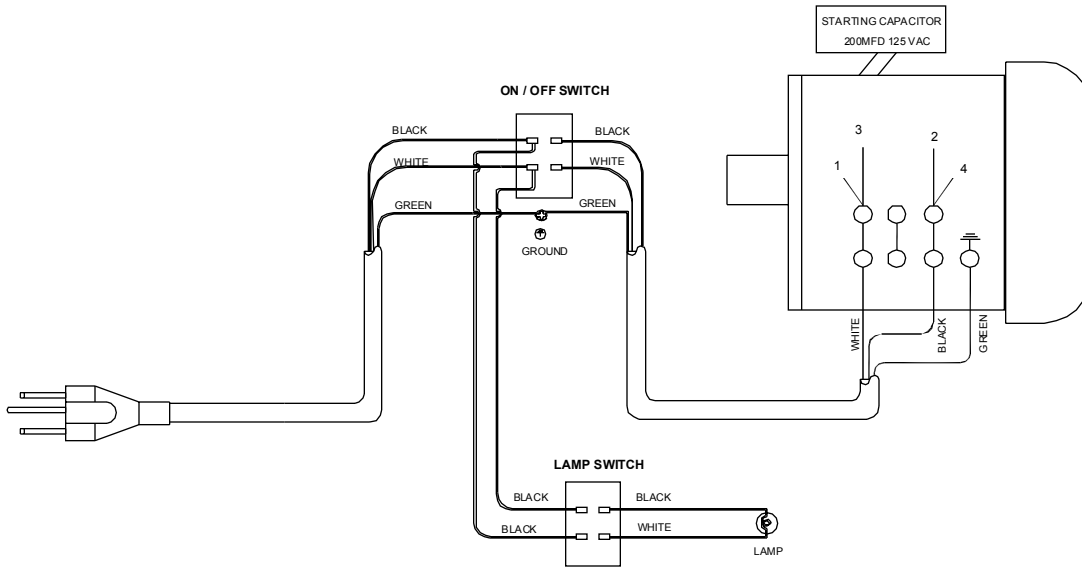
Index No.	Part No.	Description	Size	Qty
1	10600111	Base		1
2A	12909001A1	Column and Holder Assy.		1
3	TS-1525021	Set Screw	M10x12	1
5	TS-1491061	Hex Cap Bolt	M10x40	4
6	10700605A1	Bracket		1
7	10600702	Pinion Gear		1
8	10600802	Gear Shaft		1
9	10600902	Worm Pinion		1
10	10601002	Crank Handle		1
11	TS-1523031	Set Screw	M6x10	1
12	10901203A1	Table Bracket Assy.		1
13	TS-0071011	Hex Cap Bolt	5/8"x1-1/2"	1
14	10901402	Locator Pin		1
15	TS-0561011	Hex Nut	1/4"	1
16	10601601	Angle Scale		1
17	10801701	Centering Scale		1
18	2658MZDU36	Drive Screw		4
19	10601901	Column Lock Handle		1
20	10602001	Table Lock Handle		1
21	10702112	Table		1
22	10602205	Rack		1
23	10702307A1	Rack Ring		1
24	TS-1523031	Set Screw	M6x10	1
25	10902515A1	Head		1
26	TS-1525021	Set Screw	M10x12	2
27	10602702	Lamp Socket		1
28	TS-1534042	Pan Head Screw	M6x12	2
29	10902091	Handle Shifter		1
30	10603002A1	Cam		1
31	TS-1490021	Hex Cap Bolt	M8x16	1
32	10703211	Slide Bar (right)		1
33	10903302	Slide Bar Bolt		2
34	10703414	Motor Base	75x125	1
35	TS-0720111	Lock Washer	1/2"	2
36	TS-1540071	Hex Nut	M12	2
37		Handle Body (re:17373839)		1
38	17373839	Feed Shaft Assy (#37,38,39)		1
39		Spring Pin (re: 17373839)		1
43A	10604303A1	Handle Bar Assy		3
45	10604505	Scale Ring		1
46	10904616	Scale		1
48	2658MZDU36	Drive Screw		2
49A	10604902A2	Coil Spring and Cover		1
51	10905116	Spring Seat		1
52	10905203	Plate		1
53	TS-0561052	Hex Nut	1/2"-20UNF	1
54	10605403	Quill Set Screw		1
55	TS-1540071	Hex Nut	M10	1
56	10905612	Quill		1
57	10705703	Rubber Washer		1
58	10905829	Spindle		1
59	BB-6205ZZ	Ball Bearing		1
61	BB-6203Z	Ball Bearing		1
62	10606201	Washer		1
63	10606301	Lock Nut		1
64	10606401	Spindle Nut		1
65	10706508A1	Driving Sleeve		1

Index No.	Part No.	Description	Size	Qty
66	BB-6205Z	Ball Bearing		2
67	10706705	Collar		1
68	10706802	Retaining Ring		2
69	10606904	Pulley Set Nut		1
70	10607018	Spindle Pulley		1
71	561766	Arbor	MT2xJT3	1
72A	561708	Chuck		1
73	10607303	Wedge		1
74	8907522151	Motor		1
	82061041	Motor Fan (not shown)		1
	89075161	Motor Fan Cover (not shown)		1
	299155BA04	Centrifugal Switch (not shown)		1
	2992A55A14	Capacitor (not shown)		1
75	2808B530C3	Motor Cable		1
76	TS-1490041	Hex Cap Bolt	M8x25	4
77	TS-1550061	Flat Washer	M8	8
78	TS-1540061	Hex Nut	M8	4
79	10607970A1	Motor Pulley		1
80	2571MNC109	Parallel Key		1
81	TS-1524031	Set Screw	M8x12	1
83	12201501	Wire Clip		1
84	TS-1533042	Pan Head Screw	M5x12	1
85	2807BB08C4	Power Cable		1
87	DC1200-44	On-Off Switch		1
88	10908814	Switch Box		1
89	TS-1533052	Pan Head Screw	M5x16	3
90	10909012A1	Pulley Cover Assy		1
92	2641BZDA40	Round Head Screw	M6x16	4
95	10809502	Center Pulley		1
96	BB-6202Z	Ball Bearing		2
98	10609801	Center Pulley Shaft		1
99	VB-A28	V-Belt	A28	1
101	TS-0680021	Flat Washer	1/4"	4
106	TS-0561052	Hex Nut	1/2"-20UNF	1
112	10611201	Chuck Key Holder		1
113	TS-1534042	Pan Head Screw	M6x12	1
119	VB-A29	V-Belt	A29	1
128	2653MBDE15	Tapping Screw		2
131	CK-16	Chuck Key		1
137	10913701	Switch Cover		1
138	TS-1533042	Pan Head Screw	M5x12	2
139	2852D55723	Bulb Switch		1
140	10714001	Motor Bar (left)		1
147	10214704	Protecting Rubber		1
149	2536MBE616	Spring Pin		2
150	10916904	I.D. Label		1
162	10916202	Warning Label		1
163	2658MZDU36	Drive Screw		8
165	10616519	Speed Chart		1
169	11316904	Nameplate		1
601	TS-1533032	Pan Head Machine Screw	M5x10	2
602	2504MZC005	Tooth Washer		2
607	TS-0720101	Lock Washer	7/16"	2
610	TS-1503081	Socket Head Cap Screw	M6x35	2
611	10661102	Seat		1
612	TS-1540081	Hex Nut	M12	1
613	10661301	Scale Bolt		1
614	13005701	Nut		2
615	13005601	Washer		1

<b>Index No.</b>	<b>Part No.</b>	<b>Description</b>	<b>Size</b>	<b>Qty</b>
616	TS-1504051	Hex Socket Cap Screw	M8x25	1
617	10761701	Set Ring		1
618	10661801	Circular Nut		1
634	TS-1551081	Lock Washer	M12	1
700	TS-152704	Hex Wrench	3MM	1
701	TS-152706	Hex Wrench	5MM	1
801	28065558U4	Bulb Wire		2
903	2801ABRF04	Strain Relief		2

# Electrical Connections

## JDP-17MF ELECTRICAL SCHEMATIC - 115V



## JDP-17MF ELECTRICAL SCHEMATIC - 230V

