

Parts List – GHD-20PF/20PFT Head Assembly

Index No.	Part No.	Description	Size	Qty
40	GHD20PF-40	Screw	3/16" x 3/8"	1
42	61105	Spring Base		1
43	GHD20PF-43	Spring Pin	3 x 12 mm	2
44	GHD20PF-44	Screw	3/16" x 3/4"	3
45	61104	Spring		1
46	61103	Spring Cover		1
47	TS-0680021	Washer	1/4"	1
48	TS-0720071	Lock Washer	1/4"	1
49	6185	Lock Knob		1
52	TS-0071141	Hex Cap Bolt	5/8" x 5-1/2"	2
53	GHD20-53	Oil Plug	1/4"PT	1
70	2421003	Handle Rod		1
76	2401076	Scale		1
76-1	2450060	Pointer		3
78	6112	Rubber Gasket		1
79	2412001	Casting		1
82	6114	Lock Nut		1
83	GHD20PF-83	Star Washer		1
84	BB-30206	Taper Roller Bearing		1
85	6116	Rack Sleeve	MT3	1
86	6117	Spindle Shaft		1
87	BB-30207	Taper Roller Bearing		1
88	6119	Bearing Cap		1
89	6127	Screw Key		1
90	TS-0561031	Hex Nut	3/8"	1
91	2401066	Gear Lever Bracket		2
92	2401067	Gear Lever (Left)		1
93	2401068	Gear Lever (Right)		1
94	GHD20PF-94	Screw	1/4" x 1/2"	1
95	2401070	Lever Shaft (Right)		1
96	2401071	Lever Shaft (Left)		1
97	GHD20PF-97	C-Ring		2
98	GHD20PF-98	Oil Sight Glass		1
99	GHD20PF-99	Screw	3/16" x 3/8"	8
100	GHD20PF-100	Oil Seal	G12	2
102	2401075	Speed Lever		2
106	GHD20PF-106	Oil Plug		1
107	TS-0209081	Hex Socket Cap Screw	3/8" x 3/4"	6
108	GHD20PF-108	Miter Pin		2
109	TS-0267021	Set Screw	1/4" x 1/4"	4
110	GHD20-86	Motor	2HP 3PH 230V	1
111	GHD20PF-111	Key	6 x 5 x 30mm	1
112	TS-0209051	Hex Socket Cap Screw	3/8" x 3/4"	6
113	GHD20-89	Brass Fitting		1
114	TS-0561071	Hex Nut	5/8"	3
116	TS-0071041	Hex Cap Bolt	5/8" x 2-1/4"	3
119	6126-1	Collar (thread)		1
120	6125-1	Collar		1
121	6125-2	Collar		1
122	61112	Cover Plate		1
123	GHD20-123	Screw		4
150	TS-0561071	Hex Nut	5/8"	2
151	TS-0680081	Washer	5/8"	2
201	2450001	Head Body Cover		1
202	2450002	Head Body Casting		1
218	2450008	Worm Gear		1
219	TS-1523011	Set Screw	M6 x 6	4

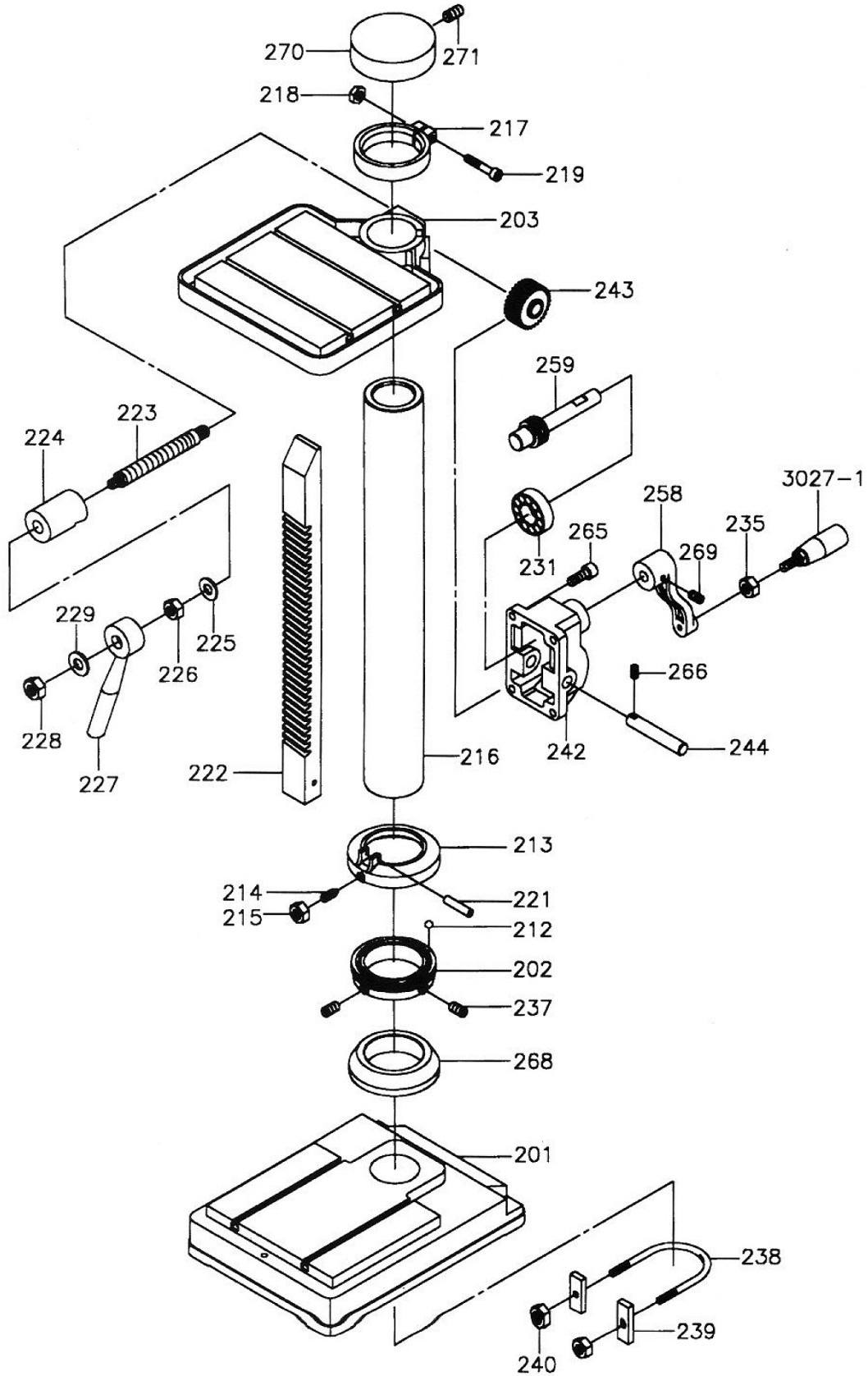
Index No.	Part No.	Description	Size	Qty
220	GHD20PF-220	C-Ring		4
227	2450014	Cover		1
233	GHD20PF-233	Screw	M4 x 25	1
235	2450020	Release Block		1
236	2450021	Small Pinion Shaft		1
237	2450022	Key		2
238	2450023	Worm Gear		1
239	2450024	Clutch Key Base		1
241	2450026	Clutch Key		2
242	2450027	Spring Pin		2
243	2450028	Spring		2
244	GHD20PF-244	C-Ring		1
246	2450030	Bushing Pin		1
247	2450031	Bushing Stop		1
248	2450032	Scale Base		1
249	GHD20PF-249	Rivet		8
250	2450033	Scale Base Set Screw		1
254	2450037	Handle Body		1
255	2450038	Handle Rod		2
256	GHD20PF-256	Knob		2
257	2450039	Handle Rod Pin		2
258	2450040	Washer		1
259	TS-1504021	Hex Socket Cap Screw	M8 x 12	1
265	GHD20PF-265	Key	5 x 5 x 32mm	1
266	2450045	Cover		1
268	TS-1502031	Hex Socket Cap Screw	M5 x 12	2
269	GHD20PF-269	Key	4 x 4 x 10mm	1
270	24500470	Handwheel		1
271	GHD20PF-271	Washer		1
272	TS-1523031	Hex Socket Cap Screw	M6 x 12	1
279	TS-0561021	Hex Nut	5/16"	1
282	GHD20PF-282	Plug	7/8"	1
283	GHD20PF-283	Oil Seal		1
287	GHD20PF-287	Spring Pin		2
291	2450051	Pin		1
313	2450063	Grip		1
315	GHD20PF-315	Washer	3/16"	2
330	2401085	Dust Plate		1
332	GHD20PF-332	Pin		1
333	2450069	Dust Plate		1
341	GHD20-341	Motor Cord		1
342	GHD20-342	Power Cord		1
345	GHD20PF-345	Nut		1
346	GHD20PF-346	Manual Feed Knob		1
347	GHD20-347	Name Plate		1
348	2450086A	Pinion Shaft		1
349	2450097	Spring Pin		2
350	2450096	Clutch Screw		1
351	2450095	Clutch Nut		1
352	2450068	Gear Box		1
353	2450081A	Gear Shaft		1
354	2450082A	Speed Change Lever		1
355	2450083A	Stop		1
356	2450084A	Spring Leaf		1
357	GHD20PF-357	Pin		2
358	2450089A	Bushing Bracket		1
359	2450072A	Bearing Bushing		1
360	2450071A	Bearing Bushing		1
361	2450070A	Bearing Bushing		1

Index No.	Part No.	Description	Size	Qty
362	2450074A	Washer		4
363	2450073A	Shaft		1
364	2450078A	Transmission Worm		1
365	2450075A	Bearing Bushing		1
366	2450076A	Bearing Bushing		1
367	2450077A	Bearing Bushing		1
368	2450085A	Spacer Ring		1
369	2450079	Speed Lever		1
370	GHD20PF-370	Speed Scale		1
371	290089	Spring		1
372	GHD20PF-372	Steel Ball		1
373	2450087A	Clutch Bushing		1
374	GHD20-374	Flat Washer	1/2" x 7/8" x 2"	1
375	2450100	Washer		1
376	GHD20PF-376	E-Retainer Ring	E5	2
377	GHD20PF-377	Hex Socket Head Screw	5/16" x 1-1/4"L	4
378	CA6003ZZ	Ball Bearing		4
379	GHD20PF-379	Key	5 x 5 x 28L mm	1
380	GHD20PF-380	C-Ring		1
381	2450088A	Graduated Bottom Ring		1

Parts List – Gear Assembly GHD-20PF, 20PFT

Index No.	Part No.	Description	Size	Qty
1	2401001-2	Main Shaft Cover		1
2	GHD20-28	Oil Seal		1
3	6101-2	Chuck Arbor Bolt	MT-3	1
4	GHD20-4	Retainer Ring	R68	1
5	GHD20PF-5	Retainer Ring	S40	1
6	BB6008ZZ	Ball Bearing		2
7	2401006	Idle Gear	53T	1
8	GHD20-7	Oil Seal		1
9	2401008	Oil Seal Ring		1
10	GHD20-9	Dust Cover		2
11	GHD20-10	C-Ring		2
12	BB-6002ZZ	Ball Bearing		5
13	2401020	Idle Gear		1
	2401020A	Gear Shaft Assembly (s/n 7110881 and higher)	15/41T	1
17	2401029	Idle Gear	35T	1
	2401029N	Idle Gear (s/n 7110881 and higher)	35T	1
19	2401031	Pinion Shaft		1
	SM2401031BS	Pinion Shaft w/Gear Assembly (s/n 7110881 and higher) includes #17,#22,#23,#24,#36 and #303)		1
22	GHD20-33	C-Ring	S18	1
23	2401055	Idle Gear	42T	1
	2401055N	Idle Gear (s/n 7110881 and higher)	42T	1
24	2401037	Idle Gear (2piece)	44/28T	1
	2401037N	Idle Gear (2piece) (s/n 7110881 and higher)	44/28T	1
26	GHD20-50	Oil Seal		1
27	GHD20-42	C-Ring	R62	1
28	BB-6007ZZ	Ball Bearing		1
29	2401043	Pinion Shaft		1
	SM2401043BS	Pinion Shaft W/Gear Assembly (s/n 7110881 and higher) (includes #26,#29,#34,#36)		1
34	2401049	Idle Gear	15/31/43T	1
	2401049N	Idle Gear (s/n 7110881 and higher)	15/31/43T	1
36	GHD20-30	Steel Ball W/ Spring	5/16"	3
203	2450003	Idle Gear	15T	1
207	GHD20PF-207	Key	5x5x16	1
208	GHD20PF-208	Set Screw	M6x6	2
209	GHD20PF-209	C-Ring	S17	2
210	BB-6003ZZ	Ball Bearing		1
211	GHD20PF-211	Oil Seal		1
212	BB-6001ZZ	Ball Bearing		1
213	BB-6202ZZ	Ball Bearing		1
214	GHD20-214	Oil Seal Cover		1
286	GHD20-286	Hex Socket Cap Screw	M5x12	2
292	2450052	Worm Shaft		1
293	2450053	Clutch Block		1
294	2450054	Spring		1
295	2450055	Adjustable Bolt		1
296	GHD20PF-296	Key	5x5x10	1
297	GHD20PF-297	Set Screw	M5x5	4
302	2450057	Washer		1
303	2401192	Bushing		1

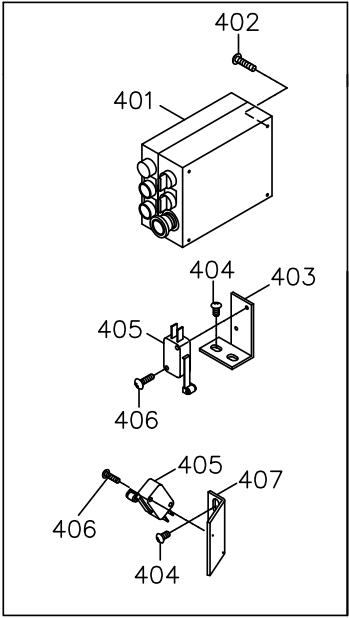
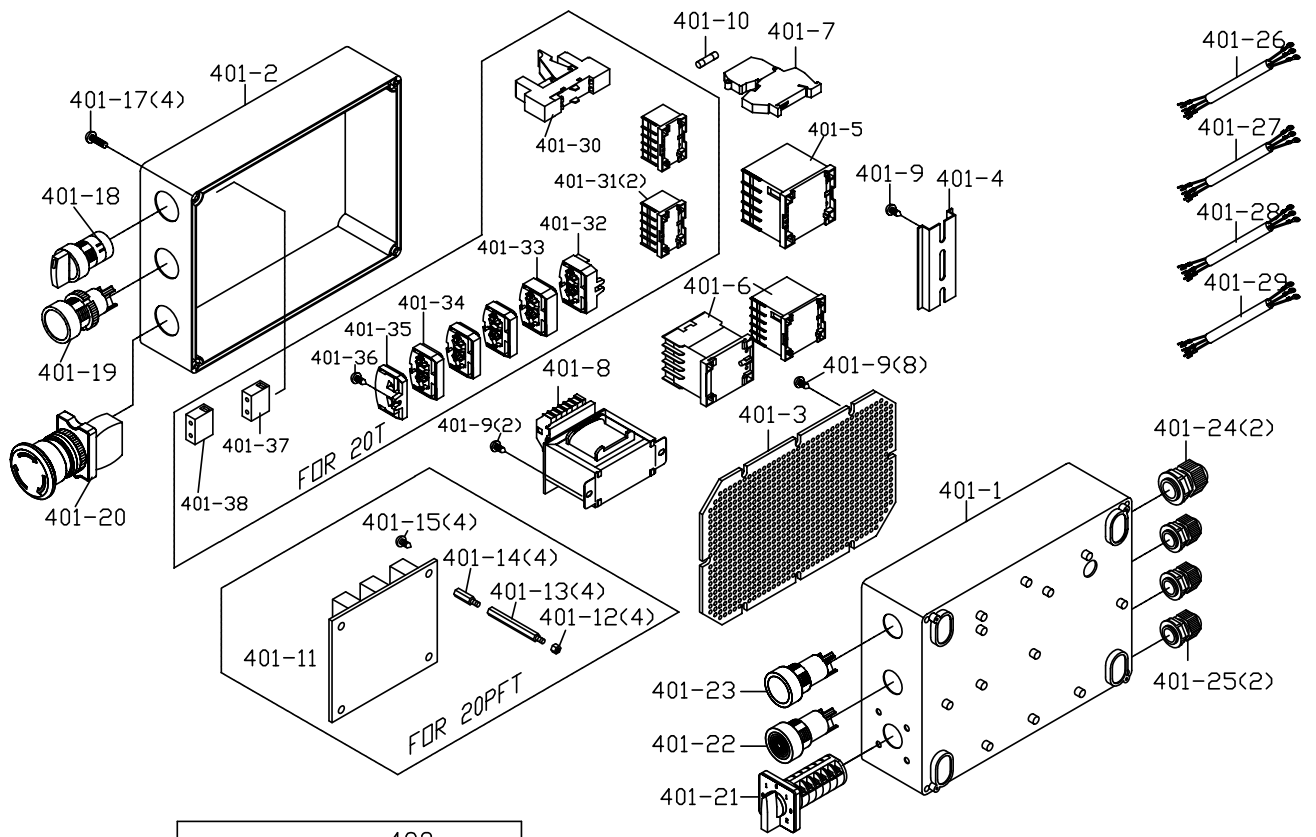
Base, Table and Column Assembly (all models)



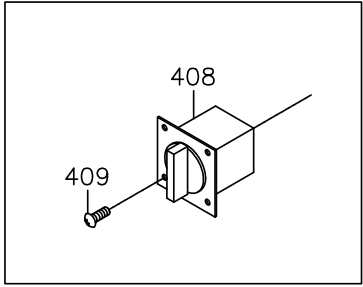
Parts List – Base, Table and Column Assembly (all models)

Index No.	Part No.	Description	Size	Qty
201	62201	Base		1
202	62202	Bearing Cover (lower)		1
203	62203-1	Table		1
212	SB-3/8	Steel Ball	3/8"	40
213	62213	Bearing Cover (upper)		1
214	62214	Screw		2
215	TS-0561021	Hex Nut	5/16"	2
216	62216	Column Base		1
217	66217	Lock Ring		1
218	TS-0561031	Nut	3/8"	1
219	TS-0209101	Hex Socket Cap Screw	3/8" x 2-1/4"	1
221	GHD20-221	Pin		1
222	62222	Rack		1
223	62223	Lock Bolt		1
224	62224-1	Lock Block		1
225	TS-0680081	Washer	5/8"	1
226	TS-0561031	Nut	5/8"	1
227	62227	Lock Handle		1
228	TS-0561031	Nut	3/8"	1
229	TS-0680041	Washer	3/8"	1
231	BB-51103	Thrust Bearing		1
235	TS-0561031	Nut	3/8"	1
237	TS-0267041	Set Screw	1/4" x 3/8"	2
238	62238	U-Bolt		1
239	62239	Block		1
240	TS-0561051	Nut	1/2"	2
242	62242	Bracket		1
243	62243	Worm Gear		1
244	62244	Shaft		1
258	6158	Handle		1
259	62259	Worm Shaft		1
265	TS-0208061	Hex Socket Cap Screw	5/16" x 1"	4
266	TS-0267041	Set Screw	1/4" x 3/8"	1
268	62268	Bracket		1
269	TS-0270021	Set Screw	5/16" x 5/16"	1
270	6611	Column Cap		1
271	GHD20-271	Set Screw		1
3027-1	3027-1	Lever		1

Control Box Assembly (all models)



GHD-20T/20PFT only

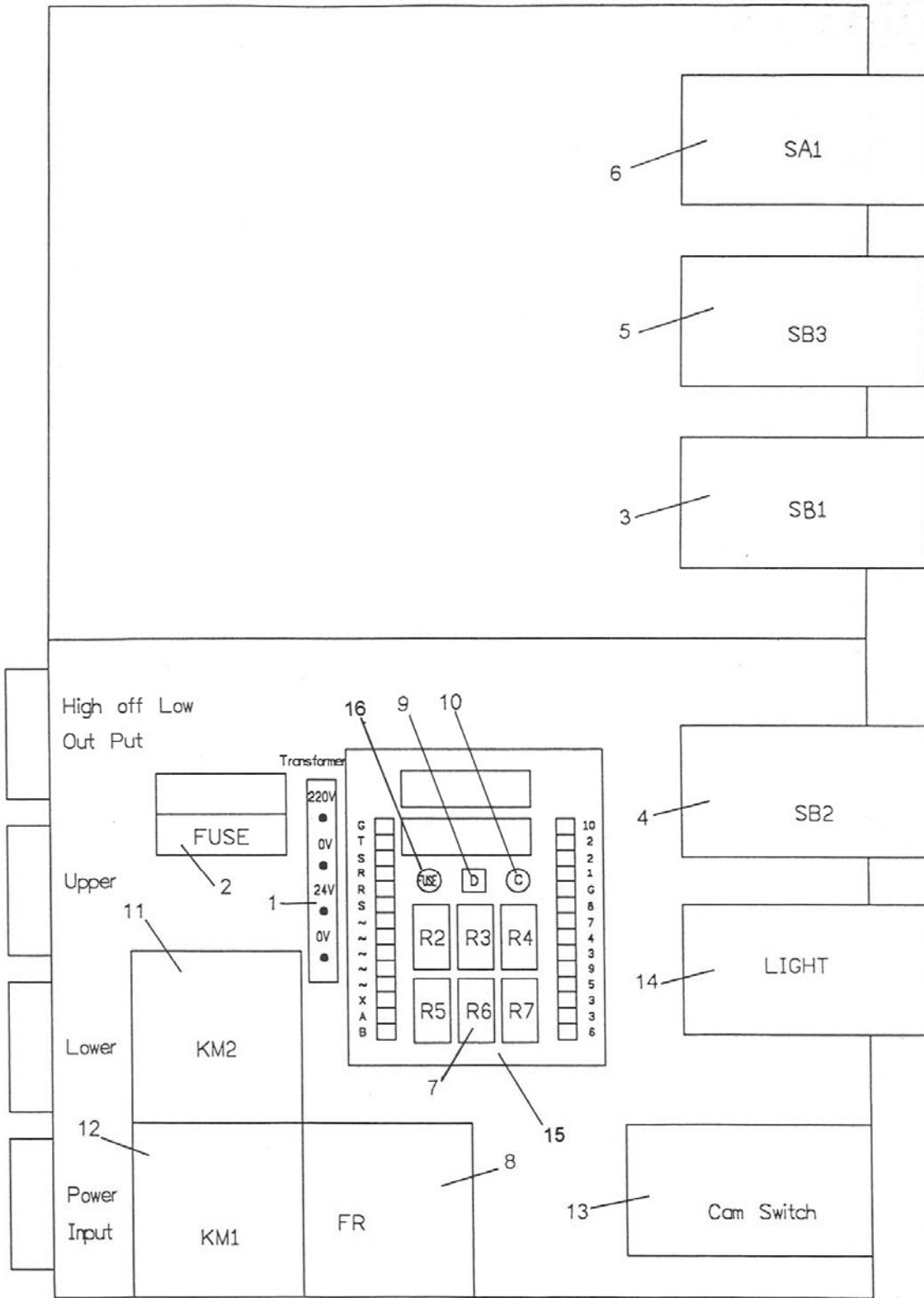


GHD-20/20PF only

Parts List – Control Box Assembly

Index No.	Part No.	Description	Size	Qty
401	GHD20PFT-401	Control Box		1
	GHD20PFT-CB	Control Box Complete (GHD-20PFT only)		1
	GHD20T-CB	Control Box Complete (#08050908 and higher)		1
401-1	GHD20PFT-401-1	Box Base		1
401-2	GHD20PFT-401-2	Box Cover		1
401-3	GHD20PFT-401-3	Support Plane		1
401-4	GHD20PFT-401-4	Bracket		1
401-5	ET-1123	Magnetic Contactor	LS GMC (D)-6M	2
401-6	ET-2034	Overload		1
401-7	GHD20PFT-401-7	Fuse Bracket		1
401-8	ET-1311	Transformer	20VA, 0.7Kg	1
401-9	GHD20PFT-401-9	Machine Screw	M4x10	12
401-10	ET-1820	Fuse	2A	1
401-11	ET-2504	Support Plate (GHD-20PFT only)		1
401-12	GHD20PFT-401-12	Hex Nut (GHD-20PFT only)	1/8"	4
401-13	GHD20PFT-401-13	Support Rod (GHD-20PFT only)	60mm	4
401-14	GHD20PFT-401-14	Support Rod (GHD-20PFT only)	15mm	4
401-15	GHD20PFT-401-15	Pan Head Screw (GHD-20PFT only)	1/8"x1/4	4
401-17	GHD20PFT-401-17	Pan Head Screw	M4x5	4
401-18	ET-1223	Select Switch	NHD NSS-S	1
401-19	ET-1221	Reverse Switch	NHD NPB-F	1
401-20	ET-1215	Emergency Switch	KEDU HY57B	1
401-21	GN20	High-Low Cam Switch	15A, 600VAC	1
401-22	ET-1414	Power Light	NHD NLD-22	1
401-23	ET-1217	Start Switch	NHD NPB-F	1
401-24	GHD20PFT-401-24	Clamp Plug	PG13.5	2
401-25	GHD20PFT-401-25	Clamp Plug	PG11	2
401-26	GHD20-341	Motor Plug	2.0mm ² x7C	1
401-27	GHD20PFT-401-27	Upper Limit Cord	0.75mm ² x2C	1
401-28	GHD20PFT-401-28	Lower Limit Cord	0.75mm ² x2C	1
401-29	GHD20-342	Power Cord	14AWGx4C	1
401-30	ET-1127	Relay	AC-24V	1
401-31	ET-1229	Auxiliary Contacts	LS, AU-2M	2
401-32	ET-1552	Ground Terminal		1
401-33	ET-1538	Two 2P Terminal		1
401-34	ET-1512	One 1P Terminal		3
401-35	ET-1516	Side Panel		1
401-36	S804	Pan Head Machine Screw	3/16x5/8	2
401-37	ET-1214	Contact Block	CB-10, A contact	2
401-38	ET-1215	Contacts Black	CB-10, B contact	2
402	GHD20PFT-402	Round Head Screw	3/16"x3/8"	4
403	GHD20PFT-403-1	Limit Bracket (top) (GHD-20PFT only)		4
	GHD20T-403-2	Limit Bracket (top) (GHD-20T only)		4
404	GHD20PFT-404	Round Head Screw	3/16"x5/8"	4
405	ET-1610	Limit Block		2
406	GHD20PFT-406	Round Head Screw	M3x15	4
407	GHD20PFT-407-1	Limit Support (GHD-20PFT only)		1
	GHD20T-407-2	Limit Support (GHD-20T only)		4
408	GHD20-339	High-Low Cam Switch		4
409	GHD20-340	Round Head Screw	M4x20	4

Electrical Panel Components (GHD-20PFT)



Parts List – Electrical Panel Components (GHD-20PFT)

Index No.	Part No.	Description	Size	Qty
1	ET-1311	Transformer	230V/24V	1
2	ET-1814	Fuse	2A	1
3	ET-1215	Emergency Stop Switch		1
4	ET-1217	Start Switch		1
5	ET-1221	Reverse Switch		1
6	ET-1223	Selecting Switch		1
7	RSA-24A	Control Relay (include R2, R3, R4, R5, R6, R7)		6
8	ET-2034	Overload Protector		1
9	DI-106	Bridge		1
10	33UF-25V	Capacitor		1
11	ET-1123	Magnetic Contactor (Forward)		1
12	ET-1123	Magnetic Contactor (Reverse)		1
13	GN-20	Cam Switch		1
14	ET-1414	Power Light		1
15	ET-2502A	Circuit Board Completely		1
16	ET-1814A	Fuse	1A	1

Electrical Schematic (GHD-20PFT)

