

20" WOODTURNING LATHE

Model 3520A

Instruction Manual & Parts List

M-0460221



POWERMATIC®

(800) 248-0144
www.powermatic.com

SPECIFICATIONS: 3520A Lathe

Table with standard extensions.....	28" x 38"
Distance Between Centers.....	34-1/2"
Swing Over Bed	20"
Overall Length.....	50"
Spindle Speeds	0-1200 / 0-3200 RPM
Motor.....	2HP, 220V
Lathe Power Requirements.....	220V, 3PH or 1PH
Spindle Thread Size	1-1/4" x 8 T.P.I.
Head/Tailstock Taper.....	#2 Morse
Height.....	44" (Adjustable)
Weight.....	650 lbs
Tailstock Quill Travel.....	Over 4"
3" Faceplate	standard
14" Toolrest	standard
Drive System.....	Poly V Belt, Inverter Drive
Spindle Lock.....	standard
Knock Out Rod	standard
Drive Center	standard
Ball Bearing (live) Center.....	standard
Hole through Tail Stock Spindle.....	3/8"
Hole through Head Stock Spindle	5/8"
Footprint of stand.....	50" L x 24" W

NOTE: The above specifications were current at the time this manual was published, but because of our policy of continuous improvement, Powermatic reserves the right to change specifications without notice and without incurring obligations.

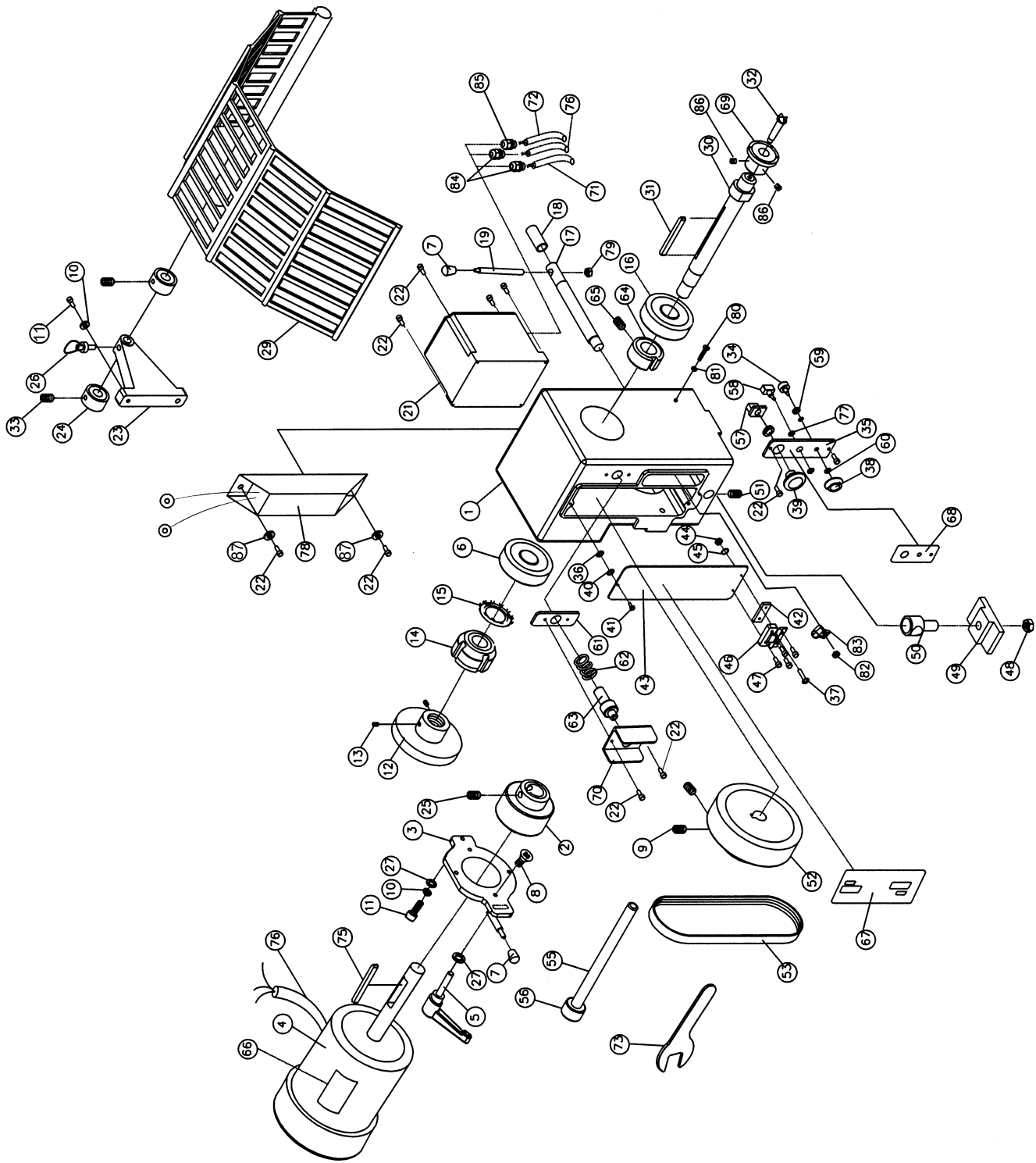
PARTS LIST: Headstock Assembly (3520A Lathe)

No.	Part No.	Description	Quantity
	2277128	Headstock Assembly	1
1	6294792	Headstock	1
2	3719189	Motor Sheave	1
3	2595036	Motor Assembly Plate	1
4	6294793	Motor, 2HP, 220V, 60Hz	1
5	6350031	Motor Plate Locking Handle	1
6	6060014	Bearing.....	1
7	6430045	Knob.....	2
8	6716139	Flat Head Socket Screw, 3/8-16 x 1	4
9	6714159	Socket Set Screw, 1/4-20 x 3/8.....	2
10	6861300	Lock Washer, 3/8.....	3
11	6716012	Socket Head Cap Screw, 3/8-16 x 1	3
12	3271081	Handwheel.....	1
13	6714160	Slotted Head Steel Set Screw, 1/4-20 x 1/4	2
14	6549006	Bearing Lock Nut	1
15	6864006	Bearing Lock Washer	1
16	6060185	Bearing.....	1
17	3708013	Headstock Clamping Shaft	1
18	6095038	Bushing	1
19	3268219	Headstock Handle	1
21	6294780	Inverter (Programmed 3520A)	1
22	6760070	Socket Head Cap Screw, 10/32 x 5/8.....	10
23	3064711	Lathe Guard Bracket.....	1
24	6143004	Retaining Collar.....	2
25	6714003	Socket Set Screw, 1/4-20 x 3/8.....	2
26	6644005	Plunger.....	1
27	6296165	Flat Washer, 3/8 x 3/4 x 1/16 Thk.....	2
29	6294728	Guard Assembly	1
30	6295930	Head Spindle.....	1
31	3388100	Key, 5/16	1
32	6294725	Spur Center 1", MT2.....	1
33	TS-0270011	Socket Set Screw, 5/16-18 x 1/4	2
34	6295915	Control Pot	1
35	3578349	Control Panel.....	1
36	6295923	Clamp Washer.....	1
37	TS-0810012	Pan Head Screw, #10-32 x 1/4	1
38	6430047	Control Panel Knob.....	1
39	6294794	Push/Pull Switch.....	1
40	6601000	"O" Ring	1
41	6294781	Lock Knob	1
42	6295911	Pad.....	1
43	3578348	Door Panel	1
44	6508007	Nut	2
45	6860704	Lock Washer	2
46	6365012	Door Hinge	1
47	6708019	Socket Head Cap Screw, 8/32 x 5/8.....	4
48	6520009	Flex Lock Nut, 5/8-11	1
49	3092093	Head Clamp	1
50	3058001	Tool Support Clamp Bolt.....	1
51	6760102	Socket Set Screw, 10/32 x 1	1
52	3719188	Spindle Sheave	1
53	6077228	Micro V Belt.....	1
	6294743	Knockout Rod Assembly (Items 55 & 56).....	1
55	3670021	Knockout Rod	1
56	3406201	Teardrop Knob.....	1
57	6083021	Contact Block	1

PARTS LIST: Headstock Assembly (3520A Lathe) continued

No.	Part No.	Description	Quantity
58	6821492	FWD/REV Switch.....	1
59	6860800	Plain Flat Washer, #10.....	1
60	6294782	Hex Nut.....	1
61	3448048	Lock Plate.....	1
62	6813062	Compression Spring.....	1
63	3601006	Spindle Lock Plunger.....	1
64	3097007	Locking Collar.....	1
65	6715015	Socket Head Set Screw, 5/16-18 x 1/4.....	2
66	6294783	Motor Label.....	1
67	6294784	Speed Label.....	1
68	6294785	Control Panel Label.....	1
69	6294736	3" Face Plate, 1-1/4-8.....	1
70	6294786	Spindle Lock Bracket.....	1
71	6294787	Power Cord.....	1
72	6294788	Control Cord.....	1
73	6294744	Face Plate Wrench.....	1
75	6294789	Motor Key.....	1
76	6294790	Motor Cord.....	1
77	6294791	Hex Nut.....	2
78	6295733	Brake Resistor.....	1
79	TS-0640091	Nylon Lock Hex Nut, 3/8-16.....	1
80	TS-1502071	Socket Head Cap Screw, M5 x 30.....	1
81	TS-1550031	Flat Washer, M5.....	1
82	TS-1540031	Nut, M5.....	1
83	6295912	Clamp.....	1
84	6295913	Clamp PG16.....	2
85	6295914	Clamp PG11.....	1
86	6295796	Nylon Set Screw, 1/4-20 x 3/8.....	2
87	6860802	Lock Washer, #10.....	2

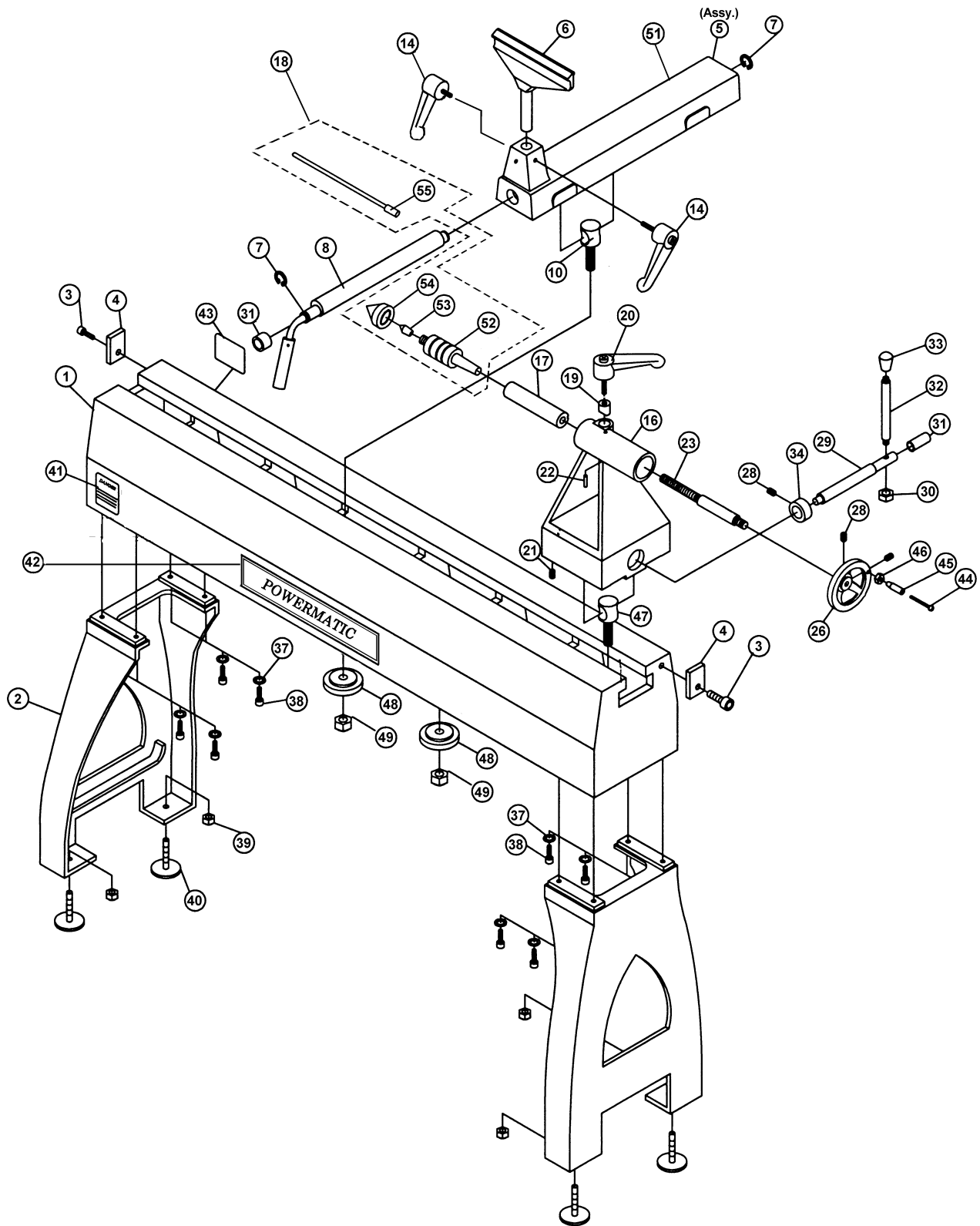
Headstock Assembly (3520A Lathe)



PARTS LIST: **Stand & Bed Assembly (3520A Lathe)**

No.	Part No.	Description	Quantity
1	6295920	Bed	1
2	3423053	Lathe Leg	2
3	6716012	Socket Head Cap Screw.....	2
4	3761159	Stop Block.....	2
5	6294752	Tool Support Assembly (Consists of items 7, 8, 10, 14, 31, 48, 49, 51).....	1
6	6294742	Tool Support 14"	1
7	6294756	Snap Ring	2
8	6294757	Tool Support Clamp Shaft	1
10	6294759	Tool Support Clamp Bolt	1
14	6294763	Tool Rest Handle.....	2
16	6295907	Tailstock.....	1
17	6295908	Tailstock Quill	1
18	6295902	Live Center Assembly (Consists of items 52, 53, 54, 55)	1
19	3728005	Quill Lock Sleeve	1
20	6295910	Tailstock Quill Handle	1
21	6760102	Socket Set Screw, 10/32 x 1.....	1
22	6623086	Dowel Pin.....	1
23	6295909	Quill Lead Screw	1
26	6295918	Handwheel	1
28	6715013	Socket Set Screw, 5/16-18 x 3/8.....	3
29	3708012	Tailstock Clamping Shaft.....	1
30	6294769	Hex Nut.....	1
31	6095038	Bushing.....	2
32	3268217	Tailstock Handle.....	1
33	6430045	Black Knob.....	1
34	3096003	Collar	1
37	6294772	Lock Washer	8
38	6295792	Socket Head Cap Screw, 3/8-16 x 1-1/4.....	8
39	6516009	Hex Jam Nut Plain, 3/8-16	4
40	6442000	Reid Leveler.....	4
41	6294773	Warning Label.....	1
42	6294774	Powermatic Name Plate.....	1
43	6294775	I.D. Label	1
44	6295751	Handle	1
47	3058001	Tailstock Clamp Bolt	1
48	3092095	Tailstock/Toolrest Clamp.....	2
49	6520009	Flex Lock Nut, 5/8-11	2
51	6295899	Tool Support Base.....	1
52	6295903	Live Center Body.....	1
53	6295904	Live Center Tip.....	1
54	6295905	Live Center Cap	1
55	6295906	Live Center Rod	1

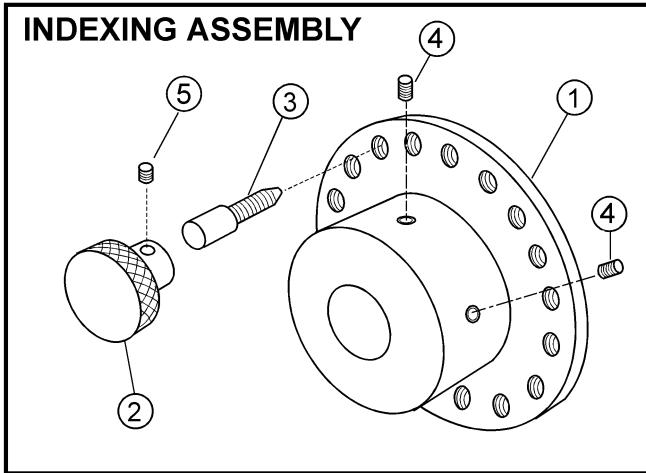
Stand & Bed Assembly (3520A Lathe)



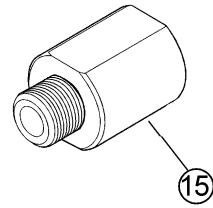
OPTIONAL ACCESSORIES: Indexer & Bed Extensions (3520A Lathe)

No.	Part No.	Description	Quantity
	6294729	Indexing Assembly (Items 1 thru 5)	
1	3097006	Indexing Collar.....	1
2	3406005	Adjusting Screw Knob.....	1
3	3585220	Indexing Pin.....	1
4	6714139	Socket Set Screw, 1/4-20 X 5/8.....	2
5	TS-0267021	Socket Set Screw, 1/4-20 x 1/4.....	1
	6294727	18" Short Bed Extension (Items 6 thru 9)	
6	TS-0680041	Flat Washer, 3/8.....	3
7	6295921	Short Bed.....	1
8	6716017	Socket Head Cap Screw, 3/8-16 x 1-3/4.....	3
9	6861300	Lock Washer, 3/8.....	3
	6294726	50" Full Bed Extension (Items 6 & 8 thru 14)	
6	TS-0680041	Flat Washer, 3/8.....	3
8	6716017	Socket Head Cap Screw, 3/8-16 x 1-3/4.....	3
9	6861300	Lock Washer, 3/8.....	7
10	6516009	Plain Hex Jam Nut, 3/8-16.....	2
11	6295920	Long Bed.....	1
12	3423053	Lathe Leg.....	1
13	6442000	Leveler.....	2
14	6716015	Socket Head Cap Screw, 3/8-16 x 1-1/2.....	4
15	6294734	Spindle Adapter, 1-1/4"-8 to 1-1/2"-8	
16	6294735	2" Spindle Extension	

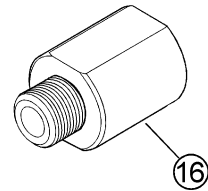
OPTIONAL ACCESSORIES: **Indexer & Bed Extensions (3520A Lathe)**



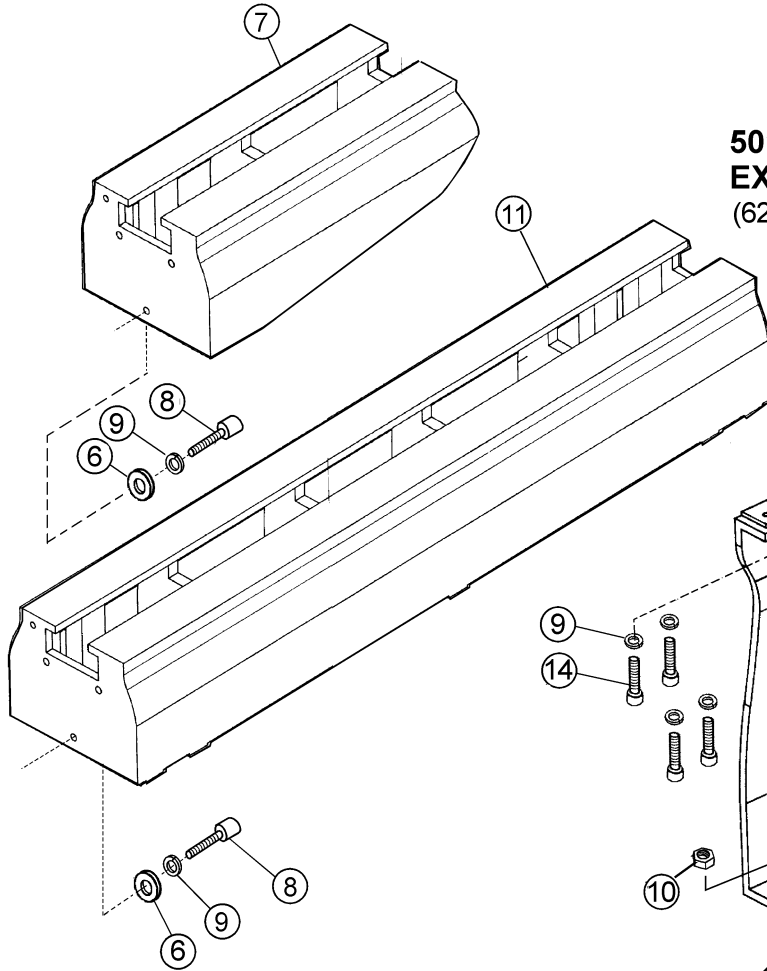
SPINDLE ADAPTER



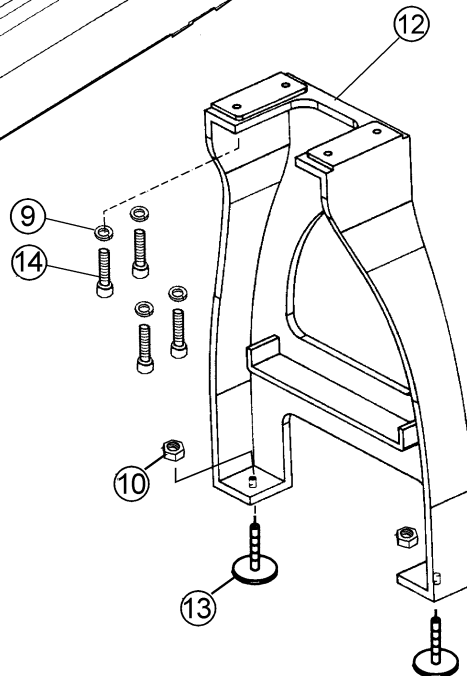
2" SPINDLE EXTENSION



18" BED EXTENSION ASSEMBLY (6294727)

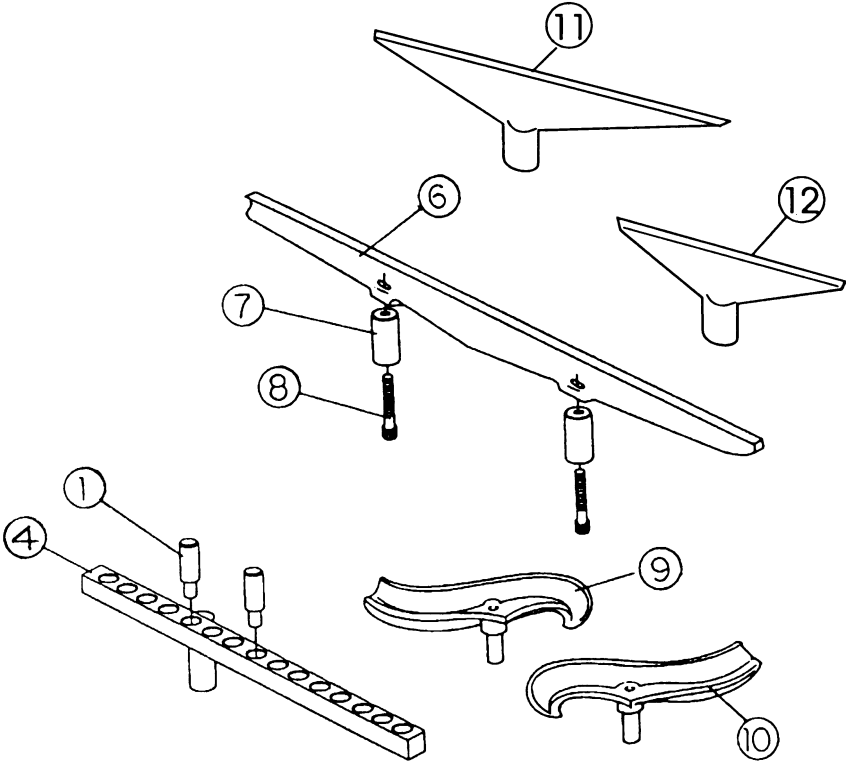


50" BED EXTENSION ASSEMBLY (6294726)



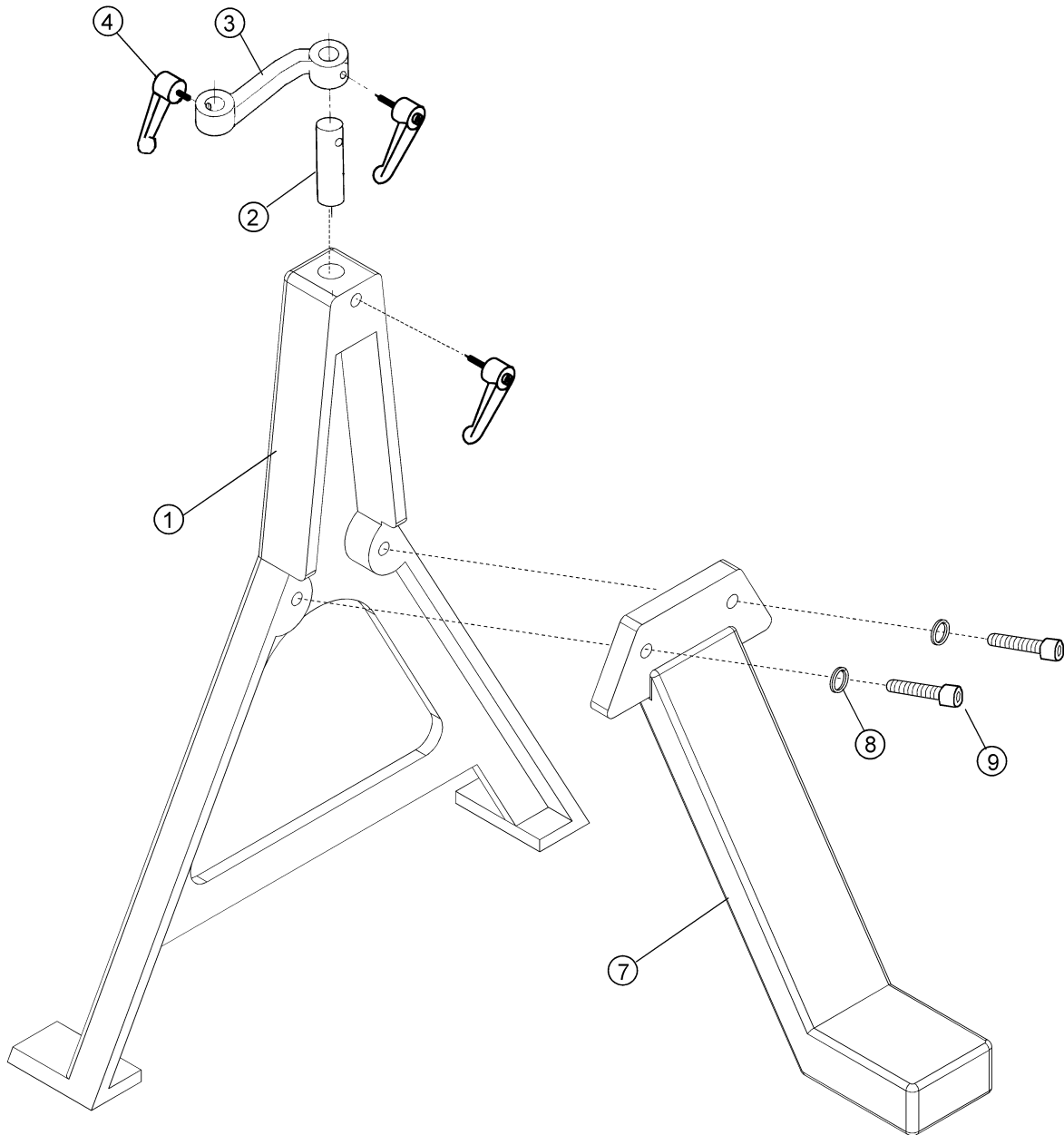
OPTIONAL ACCESSORIES: Tool Supports (3520A Lathe)

No.	Part No.	Description
1	3585011	Tool Support Pin 5/8 X .495 X 3.50
2	6294745	Ball Bearing Tailstock Center (not shown)
4	6294730	12" Metal Spinning Tool Support Assembly (Items 1 and 4)
	6294731	26" Tool Support Assembly (Items 6 thru 8)
7	6294795	Tool Support Post
8	6716219	Socket Head Cap Screw, 3/8-16 x 6-1/4
9	6294740	Bowl Turning Tool Support, R.H.
10	6294751	Bowl Turning Tool Support, L.H.
11	6294741	16" Tool Support
12	6294739	6" Tool Support
	6294742	14" Tool Support



OPTIONAL ACCESSORY: **Outboard Turning Stand (3520A Lathe)**

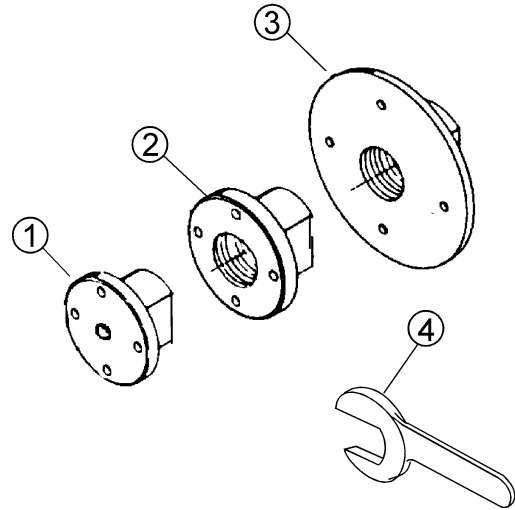
No.	Part No.	Description
	6294732	Heavy Duty Outboard Turning Stand (Items 1 thru 9)
1	3042503	Turning Stand Base
2	6295897	Offset Tool Support Pin, 1.00 dia.
3	6295898	Offset Tool Support Casting 1.00 hole
4	2695026	Screw Lock Assembly
7	3423055	Turning Stand Screw Leg
8	6861700	Lock Washer, 5/8
9	6769002	Socket Head Cap Screw, 5/8-18 x 2



OPTIONAL ACCESSORIES (3520A Lathe)

No.	Part No.	Description
-----	----------	-------------

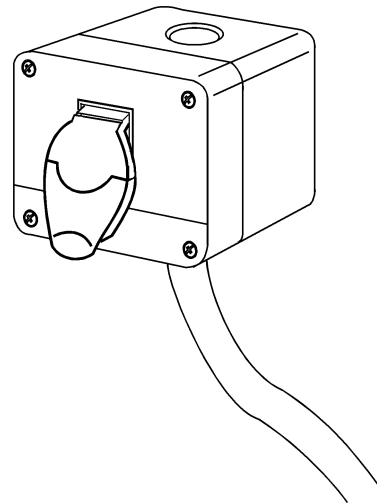
1	6294736	3" Face Plate, 1-1/4-8 (STD.)
2	6294737	4" Face Plate, 1-1/4-8 (OPT.)
3	6294738	7" Face Plate, 1-1/4-8 (OPT.)
4	6294744	Face Plate Wrench



OPTIONAL ACCESSORY

Part No.	Description
----------	-------------

6294733	Remote ON/OFF Switch
---------	----------------------



OPTIONAL ACCESSORIES

Part No.	Description
----------	-------------

6294725	Spur Center, 1"
6294728	Guard Assembly
6294743	Knock Out Rod