



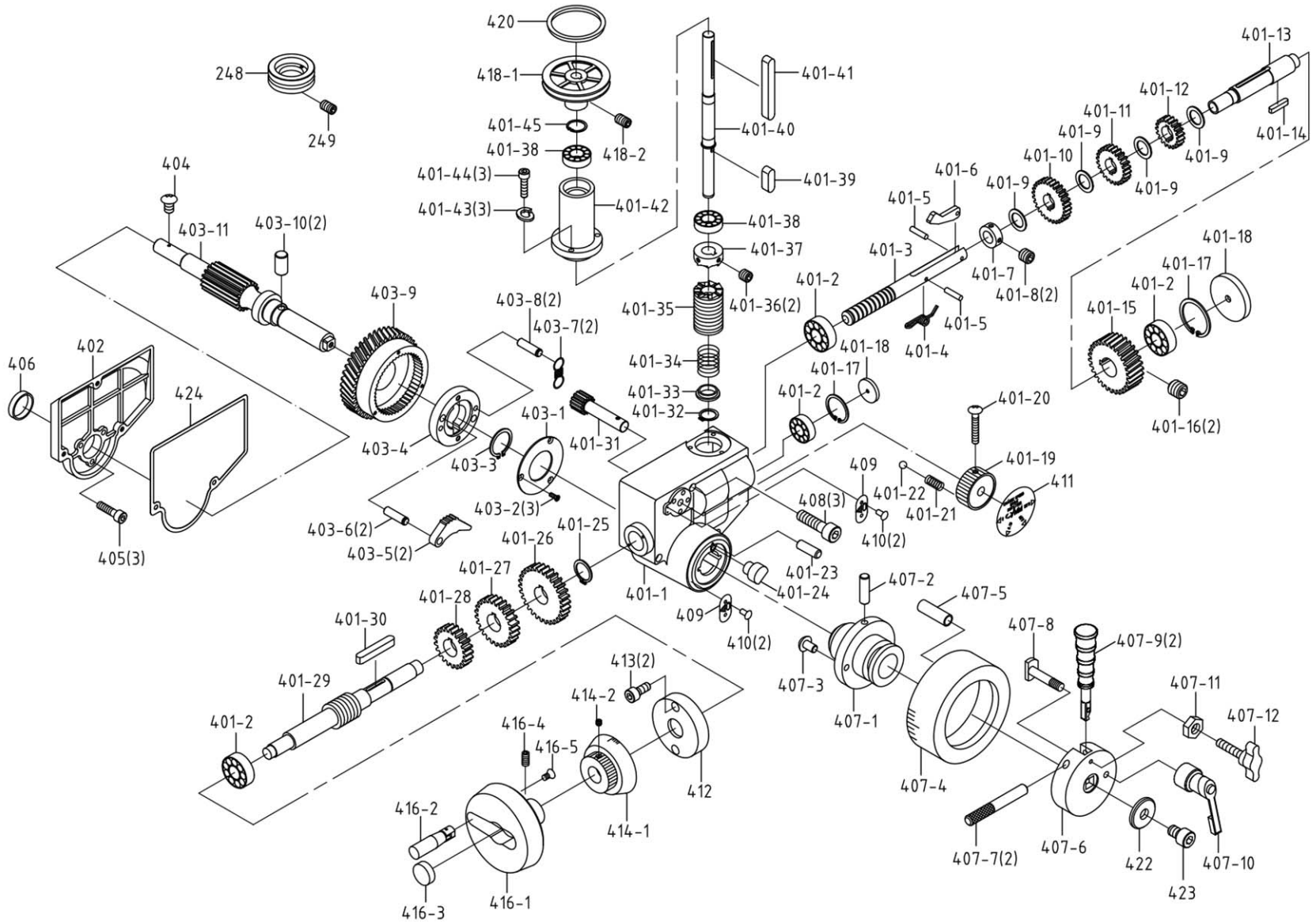
## Operating Instructions and Parts Manual JMD-15/18/18PFN Mill/Drill Machine



(JMD-18 shown with optional CS-18 stand)

**JET**  
427 New Sanford Road  
LaVergne, Tennessee 37086  
Ph.: 800-274-6848  
[www.jettools.com](http://www.jettools.com)

**Part No. M-350020**  
Revision I 10/2018  
Copyright © 2017 JET



### 13.5.2 JMD-18PFN Power Feed Assembly – Parts List

| Index No. | Part No.     | Description                 | Size      | Qty |
|-----------|--------------|-----------------------------|-----------|-----|
| 248       | 290111       | Main Pulley                 |           | 1   |
| 249       | JMD18PFN-249 | Set Screw                   | 1/4"x3/8" | 2   |
|           | 291022AS     | Complete Gear Box Assembly  |           | 1   |
| 401-1     | 291022AG     | Gear Box                    |           | 1   |
| 401-2     | BB-6003ZZ    | Bearing                     | 6003ZZ    | 4   |
| 401-3     | 2450082A     | Change Gear Lever           |           | 1   |
| 401-4     | 2450084B     | Tension Spring              |           | 1   |
| 401-5     | JMD18PFN-360 | Pin                         |           | 2   |
| 401-6     | 2450083A     | Stop                        |           | 1   |
| 401-7     | 2450089A     | Collar                      |           | 1   |
| 401-8     | TS-1523011   | Set Screw                   | M6x6      | 2   |
| 401-9     | 2450074A     | Spacer                      |           | 4   |
| 401-10    | 2450072A     | Gear                        |           | 1   |
| 401-11    | 2450071A     | Gear                        |           | 1   |
| 401-12    | 2450070A     | Gear                        |           | 1   |
| 401-13    | 291026A      | Shaft                       |           | 1   |
| 401-14    | JMD18PFN-269 | Key                         | 5x5x25 mm | 1   |
| 401-15    | 291047       | Worm Gear                   |           | 1   |
| 401-16    | TS-1523011   | Set Screw                   | M6x6      | 2   |
| 401-17    | JMD18PFN-282 | C-Ring                      | R35       | 2   |
| 401-18    | 2450014      | Cover                       |           | 2   |
| 401-19    | 2450079      | Speed Knob                  |           | 1   |
| 401-20    | JMD18PFN-303 | Round Head Screw            | M4x25     | 1   |
| 401-21    | 290089       | Spring                      |           | 1   |
| 401-22    | SB-5/16      | Steel Ball                  | 5/16"     | 1   |
| 401-23    | 2450051      | Pin                         |           | 1   |
| 401-24    | 2450020      | Release Block               |           | 1   |
| 401-25    | JMD18PFN-373 | C-Ring                      | S19       | 1   |
| 401-26    | 2450077A     | Gear                        |           | 1   |
| 401-27    | 2450076A     | Gear                        |           | 1   |
| 401-28    | 2450075A     | Gear                        |           | 1   |
| 401-29    | 291028A      | Transmission Worm           |           | 1   |
| 401-30    | JMD18PFN-358 | Key                         | 5x5x32 mm | 1   |
| 401-31    | 291027A      | Pinion                      |           | 1   |
| 401-32    | JMD18PFN-369 | C-ring                      | S15       | 1   |
| 401-33    | 2450057      | Bushing                     |           | 1   |
| 401-34    | 2450054      | Spring                      |           | 1   |
| 401-35    | 291046       | Worm Shaft                  |           | 1   |
| 401-36    | TS-1523011   | Set Screw                   | M6x6      | 2   |
| 401-37    | 291050       | Clutch Block                |           | 1   |
| 401-38    | BB-6003ZZ    | Ball Bearing                |           | 2   |
| 401-39    | JMD18PFN-262 | Key                         | 5x5x10 mm | 1   |
| 401-40    | 291023A      | Transmission Shaft          |           | 1   |
| 401-41    | JMD18PFN-389 | Key                         | 5x5x45 mm | 1   |
| 401-42    | 291024A      | Bearing Housing             |           | 1   |
| 401-43    | TS-0720071   | Lock Washer                 | 1/4"      | 3   |
| 401-44    | TS-0207041   | Hex Socket Cap Screw        | 1/4"x3/4" | 3   |
| 401-45    | JMD18PFN-255 | C-Ring                      | S17       | 1   |
| 402       | 291032A      | Base                        |           | 1   |
|           | 291029AS     | Complete Worm Gear Assembly |           | 1   |
| 403-1     | 2450048      | Worm Gear Cover             |           | 1   |
| 403-2     | JMD18PFN-346 | Flat Cross Head Screw       | M4x4      | 3   |
| 403-3     | JMD18PFN-320 | C-Ring                      | S25       | 1   |
| 403-4     | 2450024      | Clutch Gear Case            |           | 1   |
| 403-5     | 2450026      | Clutch Key                  |           | 2   |
| 403-6     | 2450025      | Clutch Key Pin              |           | 2   |

| Index No. | Part No.        | Description  | Size         | Qty |
|-----------|-----------------|--|--------------|-----|
| 403-7     | 2450028         | Spring   |              | 2   |
| 403-8     | 2450027         | Spring Pin   |              | 2   |
| 403-9     | 2450023         | Worm Gear  |              | 1   |
| 403-10    | 2450022         | Key  |              | 2   |
| 403-11    | 291029A         | Pinion Shaft   |              | 1   |
| 404       | JMD18PFN-250    | Flat Head Screw  | 3/16"x3/8"   | 1   |
| 405       | TS-0208061      | Hex Socket Cap Screw                                       | 5/16"x1-1/4" | 3   |
| 406       | 291049          | Bearing Spacer   |              | 1   |
|           | 291030AS        | Complete Clutch Bushing Assembly                           |              | 1   |
| 407-1     | 291030A         | Clutch Bushing   |              | 1   |
| 407-2     | 2450030         | Bushing Pin  |              | 1   |
| 407-3     | 2450031         | Bushing Stop   |              | 1   |
| 407-4     | 2450032A        | Scale Base   |              | 1   |
| 407-5     | JMD18PFN-326    | Pin  |              | 1   |
| 407-6     | 2450037         | Hub  |              | 1   |
| 407-7     | 2450039         | Pin  |              | 2   |
| 407-8     | 2450033         | Scale Base Set Screw                                       |              | 1   |
| 407-9     | 2450038         | Handle Rod   |              | 2   |
|           | 2450038N        | Handle Rod ( <i>Serial #16044888 and higher</i> )          |              | 2   |
| 407-10    | 2450063         | Graduated Base Handle                                      |              | 1   |
| 407-11    | H02050          | Hex Nut  | 5/16"        | 1   |
| 407-12    | JMD18PFN-407-12 | Set Screw  | 5/16"x3/4"   | 1   |
| 408       | JMD18PFN-350    | Hex Socket Cap Screw                                       | 5/16"x3-1/2" | 3   |
| 409       | 2450060         | Pointer  |              | 2   |
| 410       | JMD18PFN-309    | Rivet  |              | 4   |
| 411       | JMD18PFN-354    | Speed Scale  |              | 1   |
| 412       | 6145            | Worm Cover   |              | 1   |
| 413       | JMD18PFN-376    | Hex Socket Cap Screw                                       | 3/16"x3/8"   | 2   |
| 414-1     | 291051A         | Micro Adjusting Indicator                                  |              | 1   |
| 414-2     | TS-0267031      | Set Screw  | 1/4"x5/16"   | 1   |
|           | 6142-2S         | Complete Wheel Assembly                                    |              | 1   |
| 416-1     | 6142-2          | Handwheel  |              | 1   |
|           | JMD18N-035A     | Feed Handwheel Assembly (includes 416-1,416-2,416-3,416-4) |              | 1   |
| 416-2     | 6580            | Handle   |              | 1   |
| 416-3     | 6581            | Handle Screw   |              | 1   |
| 416-4     | TS-0270021      | Set Screw  | 5/16"x5/16"  | 1   |
|           | TS-1524021      | Set Screw  | M8x10        | 1   |
| 418-1     | 290110          | Sub-Pulley   |              | 1   |
| 418-2     | TS-0267031      | Set Screw  | 1/4"x5/16"   | 1   |
| 420       | JMD18PF-114     | Belt   |              | 1   |
| 422       | 2450040         | Washer   | M8           | 1   |
| 423       | TS-1504031      | Hex Socket Cap Screw                                       | M8x16        | 1   |
| 424       | JMD18PF-424     | Gasket   |              | 1   |
|           | 291001-CPN      | Gear Box Assembly Complete                                 |              | 1   |