



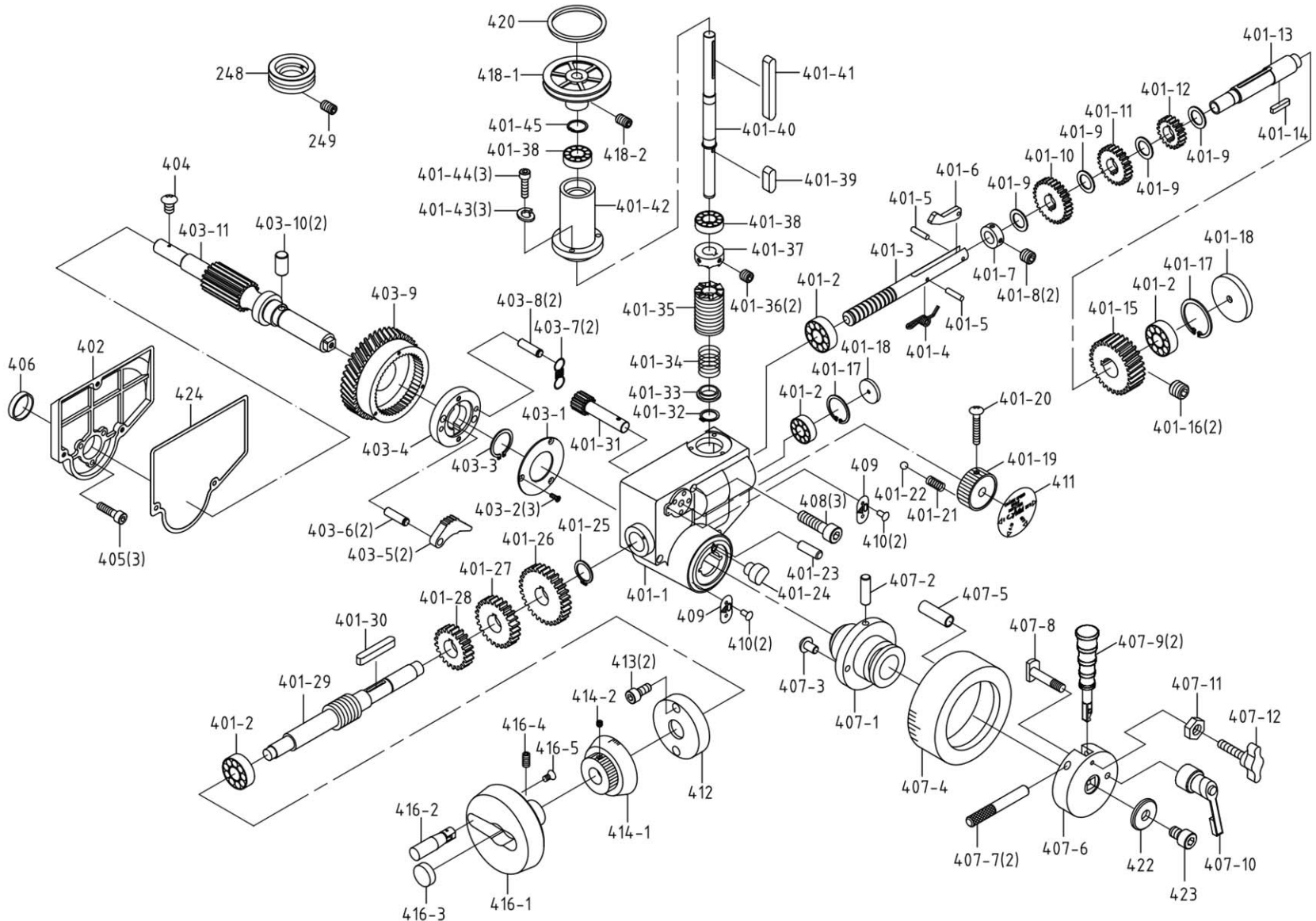
Operating Instructions and Parts Manual JMD-15/18/18PFN Mill/Drill Machine



(JMD-18 shown with optional CS-18 stand)

JET
427 New Sanford Road
LaVergne, Tennessee 37086
Ph.: 800-274-6848
www.jettools.com

Part No. M-350020
Revision I 10/2018
Copyright © 2017 JET



13.5.2 JMD-18PFN Power Feed Assembly – Parts List

Index No.	Part No.	Description	Size	Qty
248	290111	Main Pulley		1
249	JMD18PFN-249	Set Screw	1/4"x3/8"	2
	291022AS	Complete Gear Box Assembly		1
401-1	291022AG	Gear Box		1
401-2	BB-6003ZZ	Bearing	6003ZZ	4
401-3	2450082A	Change Gear Lever		1
401-4	2450084B	Tension Spring		1
401-5	JMD18PFN-360	Pin		2
401-6	2450083A	Stop		1
401-7	2450089A	Collar		1
401-8	TS-1523011	Set Screw	M6x6	2
401-9	2450074A	Spacer		4
401-10	2450072A	Gear		1
401-11	2450071A	Gear		1
401-12	2450070A	Gear		1
401-13	291026A	Shaft		1
401-14	JMD18PFN-269	Key	5x5x25 mm	1
401-15	291047	Worm Gear		1
401-16	TS-1523011	Set Screw	M6x6	2
401-17	JMD18PFN-282	C-Ring	R35	2
401-18	2450014	Cover		2
401-19	2450079	Speed Knob		1
401-20	JMD18PFN-303	Round Head Screw	M4x25	1
401-21	290089	Spring		1
401-22	SB-5/16	Steel Ball	5/16"	1
401-23	2450051	Pin		1
401-24	2450020	Release Block		1
401-25	JMD18PFN-373	C-Ring	S19	1
401-26	2450077A	Gear		1
401-27	2450076A	Gear		1
401-28	2450075A	Gear		1
401-29	291028A	Transmission Worm		1
401-30	JMD18PFN-358	Key	5x5x32 mm	1
401-31	291027A	Pinion		1
401-32	JMD18PFN-369	C-ring	S15	1
401-33	2450057	Bushing		1
401-34	2450054	Spring		1
401-35	291046	Worm Shaft		1
401-36	TS-1523011	Set Screw	M6x6	2
401-37	291050	Clutch Block		1
401-38	BB-6003ZZ	Ball Bearing		2
401-39	JMD18PFN-262	Key	5x5x10 mm	1
401-40	291023A	Transmission Shaft		1
401-41	JMD18PFN-389	Key	5x5x45 mm	1
401-42	291024A	Bearing Housing		1
401-43	TS-0720071	Lock Washer	1/4"	3
401-44	TS-0207041	Hex Socket Cap Screw	1/4"x3/4"	3
401-45	JMD18PFN-255	C-Ring	S17	1
402	291032A	Base		1
	291029AS	Complete Worm Gear Assembly		1
403-1	2450048	Worm Gear Cover		1
403-2	JMD18PFN-346	Flat Cross Head Screw	M4x4	3
403-3	JMD18PFN-320	C-Ring	S25	1
403-4	2450024	Clutch Gear Case		1
403-5	2450026	Clutch Key		2
403-6	2450025	Clutch Key Pin		2

Index No.	Part No.	Description	Size	Qty
403-7	2450028	Spring		2
403-8	2450027	Spring Pin		2
403-9	2450023	Worm Gear		1
403-10	2450022	Key		2
403-11	291029A	Pinion Shaft		1
404	JMD18PFN-250	Flat Head Screw	3/16"x3/8"	1
405	TS-0208061	Hex Socket Cap Screw	5/16"x1-1/4"	3
406	291049	Bearing Spacer		1
	291030AS	Complete Clutch Bushing Assembly		1
407-1	291030A	Clutch Bushing		1
407-2	2450030	Bushing Pin		1
407-3	2450031	Bushing Stop		1
407-4	2450032A	Scale Base		1
407-5	JMD18PFN-326	Pin		1
407-6	2450037	Hub		1
407-7	2450039	Pin		2
407-8	2450033	Scale Base Set Screw		1
407-9	2450038	Handle Rod		2
	2450038N	Handle Rod (<i>Serial #16044888 and higher</i>)		2
407-10	2450063	Graduated Base Handle		1
407-11	H02050	Hex Nut	5/16"	1
407-12	JMD18PFN-407-12	Set Screw	5/16"x3/4"	1
408	JMD18PFN-350	Hex Socket Cap Screw	5/16"x3-1/2"	3
409	2450060	Pointer		2
410	JMD18PFN-309	Rivet		4
411	JMD18PFN-354	Speed Scale		1
412	6145	Worm Cover		1
413	JMD18PFN-376	Hex Socket Cap Screw	3/16"x3/8"	2
414-1	291051A	Micro Adjusting Indicator		1
414-2	TS-0267031	Set Screw	1/4"x5/16"	1
	6142-2S	Complete Wheel Assembly		1
416-1	6142-2	Handwheel		1
	JMD18N-035A	Feed Handwheel Assembly (includes 416-1,416-2,416-3,416-4)		1
416-2	6580	Handle		1
416-3	6581	Handle Screw		1
416-4	TS-0270021	Set Screw	5/16"x5/16"	1
	TS-1524021	Set Screw	M8x10	1
418-1	290110	Sub-Pulley		1
418-2	TS-0267031	Set Screw	1/4"x5/16"	1
420	JMD18PF-114	Belt		1
422	2450040	Washer	M8	1
423	TS-1504031	Hex Socket Cap Screw	M8x16	1
424	JMD18PF-424	Gasket		1
	291001-CPN	Gear Box Assembly Complete		1