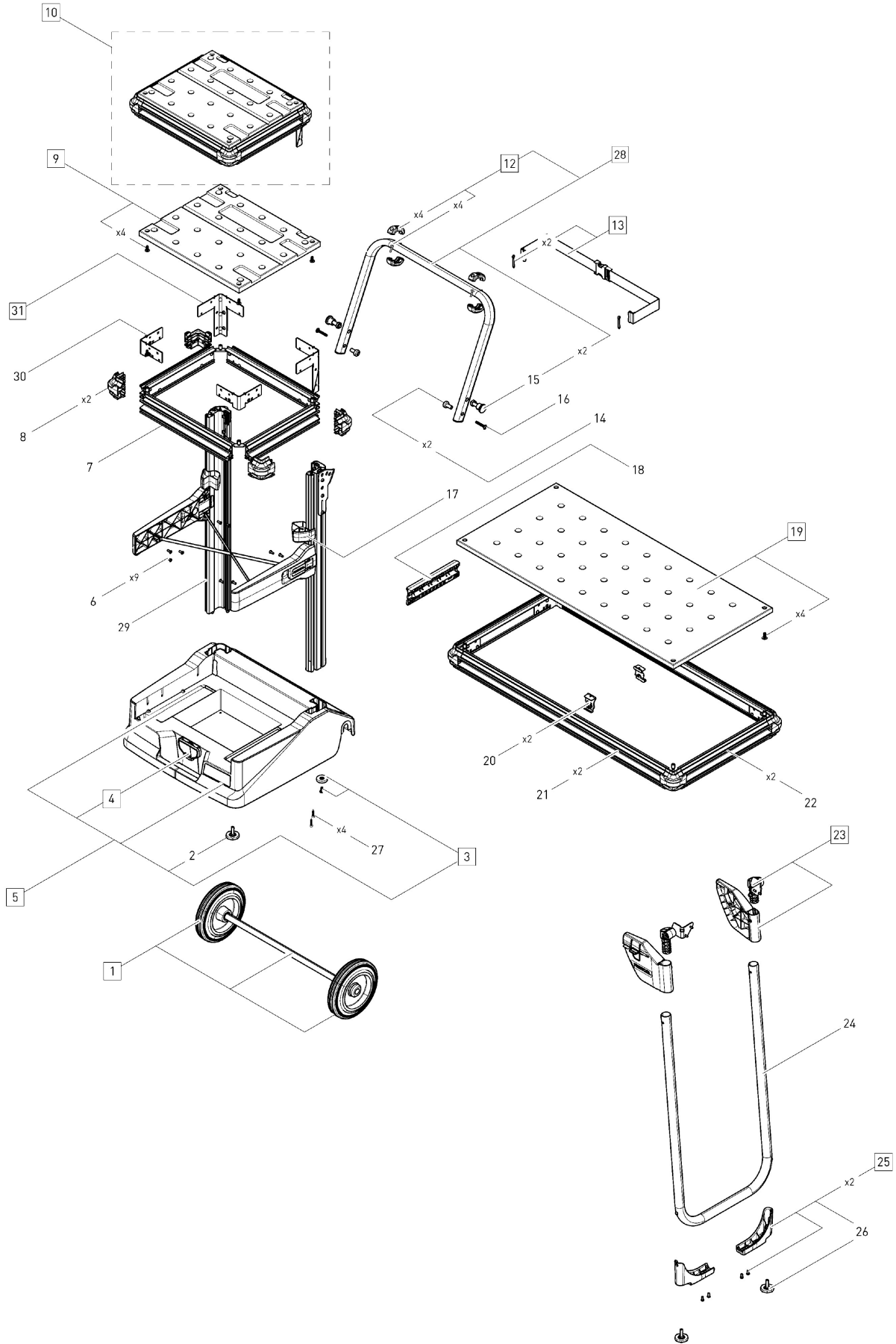


35000663 - MW 1000



Pos	Part No.	Description	Quantity
1	204239	Chassis	1
2	204243	Foot	1
3	204238	Rubber pedal	1
4	497819	Closure SYS TL KPL- SG2-T01-002	1
5	35000864	Base plate	1
6	10138564	Countersunk screw	9
7	35000697	Profile	1
8	204233	corner piece	1
9	204232	Plate	1
10	35000863	Plate	1
12	204234	Glide pads	1
13	204242	Securing strap	1
14	35000689	Axle	2
15	204235	Lock bolt	1
16	35000737	Flange bolt	2
17	204237	Block	1
27	35000745	Screw	1
28	205742	Grip	1
29	35000672	Profile	2
30	35000700	Corner joint	2
31	35000699	Corner joint	2