



This Manual is Bookmarked

# Operating Instructions — Parts Manual

## 7 x 12 Cut-off Band Saw

Models: 3400/3410



**WHM TOOL GROUP, Inc.**  
2420 Vantage Drive  
Elgin, Illinois 60124  
Ph.: 800-274-6848  
[www.wmhtoolgroup.com](http://www.wmhtoolgroup.com)



177339

**Part No. 9078201**  
Revision B 05/07  
Copyright © 2007 WMH Tool Group

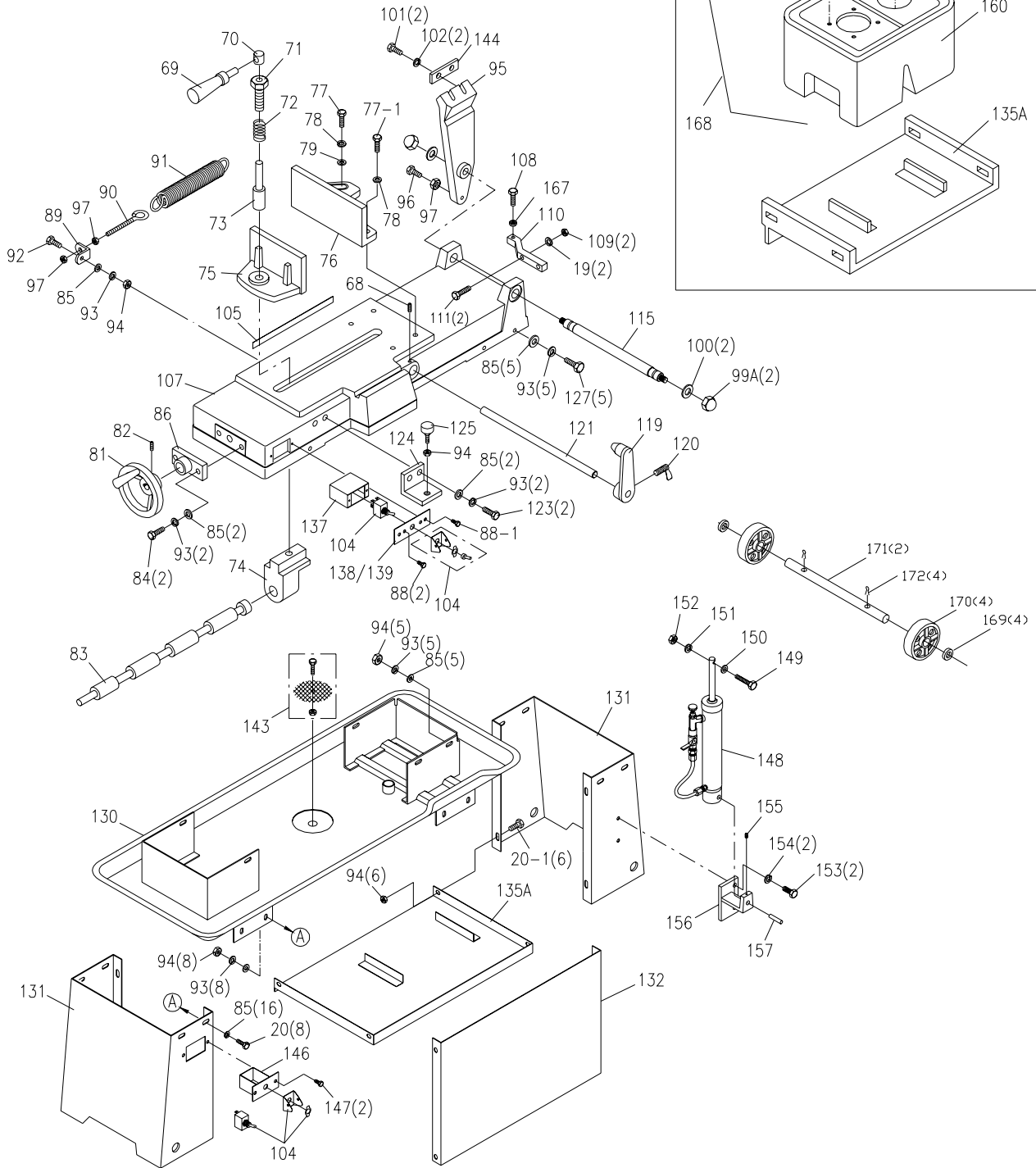


# Parts List - Saw Head

Ref. no.	Part.no.	Description	Qty.
1	5710011	Pulley cover	1
2	5710021	Motor pulley	1
4-1	5710041	HH screw 5/16X1	4
5	5710051	Motor 3/4 HP 115V 1PH	1
6	5710061	Motor mount plate assy.	1
7	5710071	HH screw 5/16x5/8	3
8	5710081	HH screw 5/16x1-1/4	1
9A	5710091	Tapping screw 6mmx20	4
10A	5710111	Gearbox cover	1
11A	5710121	Gearbox gasket	1
12	5710131	Trnsmsion gear 20mm bore	1
12	5711921	Trnsmsion gear 25mm bore	1
13	5710141	Ball bearing 6005	2
14		Saw Blade:	
	5632141	3/4 X .032 X 93" 8 TPI	
	5632151	3/4 X .032 X 93" 8 T STND	1
	5632161	3/4 X .032 X 93" 14 TPI	
15	5710161	Oil seal 20.42.7	1
	5711881	Oil seal 25.47.7	
16	5635271	Ball bearing 6004Z	1
	5680391	Ball bearing 6005Z	
17	5710181	Trnsmsion Shaft - 5/8 bore	1
	5711931	Trnsmsion Shaft - 7/8 bore	
18	5710191	Blade whl rear 20mm bore	1
	5711831	Blade whl rear 25mm bore	
19	5710211	Washer 3/8	1
21	5710231	Belt 3V-270	1
22	5710241	Worm pulley	1
23	5710251	Set screw 5/16x3/8	3
23-1	5517501	Set screw 5/16x3/4	1
25	9100451	Ball bearing 6003	1
26	5710281	Oil seal 17.35.7	1
27	5710291	Bearing bushing	1
28	5710311	Ball bearing 6003	2
29	5710321	Worm gear shaft	1
30	5710331	Snap ring 42mm	2
30	5711871	Snap ring 47mm	
31	9052181	HH screw 5/16x1-1/2	2
32	5710351	Blade tension sliding plate	1
33	5710361	Sliding plate draw block	1
34	5710371	Blade wheel shaft - front	1
35	5710381	Bearing bushing	1
36	9100331	Ball bearing 6203	1
37	5710411	Switch actuator	1
38	5710421	Blade wheel - front	1
39	9100331	Ball bearing 6203	1
40	5710441	Phillips screw 1/4x1/2	4
41	5710451	HH screw 5/16x3/4	1
42	5710461	HH screw 1/4x1/2	7
42-1	5517502	Spring washer 1/4	1
42-2	5517503	Washer 1/4	1
43	5710471	Blade tension sliding guides	2
44	5710481	Blade tension adj. knob	1
45	5630601	Knob	2
46A	5710511	Transmission gearbox 42mm	1
	5711861	Transmission gearbox 47mm	
47	5710521	Adjustable bracket bar - front	1
48	5710531	Blade adjustable seat - front	1
49	5632831	Ball bearing 608ZZ	2

Ref. no.	Part.no.	Description	Qty.
50	5710551	Bearing pin	2
51	5710561	Eccentric shaft assy.	2
51-1	5517504	Center shaft assy.	2
52	5710571	Brush	1
53	5710581	Hex nut 3/8x24	4
54A	5710591	Oil plug	1
55	5710611	Phillips screw 1/4x3/8	2
56	5710621	Vertical cutting plate	1
57	5710631	Blade adjustable sear - rear	1
58	5710641	Adjustable bracket bar - rear	1
59	5710651	SHCS 5/16x1-1/8	2
60	5710661	Vertical cutting plate (small)	1
61	5710671	Brush bracket	1
62	5710681	Nozzle bracket	1
62-1	5517505	Valve	1
62-2	5517506	Nozzle cock	1
63	5710691	Blade guard	1
65	5710721	Saw bow (arm)-rounded style	1
	5711821	Saw bow (arm)-square style	
66	5710731	HH screw 5/16x2-1/2	2
67	5710741	Thumb screw	3
67A	5711561	Washer 1/4	2
68	5710751	Blade cover assy early style	1
	5711811	Blade cover assy later style	
85	5710941	Washer 5/16	6
87	5710961	Collar	1
93	5711031	Spring washer 5/16	13
93-1	5517507	Adj. Screw 1/4x3/8	2
94	5711041	Nut 5/16	4
98	5711081	Set screw 1/4x1/4	2
103	5711141	Washer 5/16	2
116	5711281	Hex nut 5/16	1
122	5711351	Key 5mm	1
141	5711561	Washer 1/4	8
142	5711571	Screw 3/16x1/4	2
145	5711391	Cooling fan cover	1
147	5711431	Capacitor cover	1
148	5711471	Capacitor	1
149	5711481	Cooling fan	1
150	5711841	Bushing	1
152	5710531A	Blade guide assy left side	1
153	5710631A	Blade guide assy right side	1
155	5711951	Rubber flap	1
156	5711251	Cord	1
158	5711991	C-clip	1
159	5710511A	Cmplte gearbox 42mm bore	1
160	5711801	Cmplte gearbox 47mm bore	1
161	5517509	Block plate	1
162	5517510	Hex soc. screw 3/16x1/2	3
163	5517511	Bearing bushing	1
164	5517512	Key 6x20	1
165	5517513	HH screw 3/8x1	1
166	5517514	Spring washer 3/8	1
167	5517515	Washer 3/8x35x4	1
168	5517516	Top support	1
169	5517517	HH screw 3/8x1-1/2	2
170	5517518	Spring washer 3/8	2
171	5517519	Nut 3/8	2
172	5517508	HH screw 1/4x3/8	2
	5711421	Junction box cvr (not shown)	1

# Exploded View - Saw Base

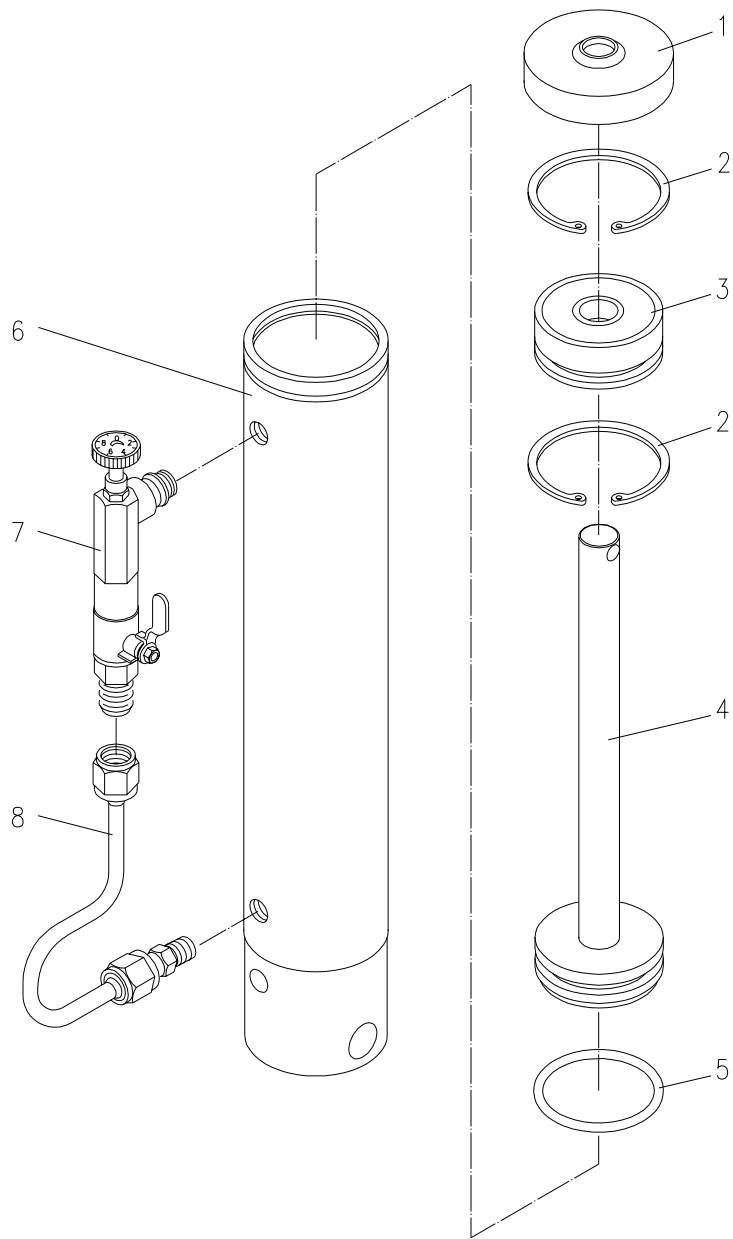


## Parts List - Saw Base

Ref. no.	Part no.	Description	Qty.
19	5710211	Spring washer 3/8	2
20	5710221	HH screw 5/16x3/4	8
20-1	5517520	HH screw 5/16x1/2	6
68	5517521	Set screw 5/16x3/8	1
69	5710761	Handle	1
70	5710771	Nut	1
71	5710781	Vise screw	1
72	5710791	Spring	1
73	5710811	Vise thrust shaft	1
74	5710821	Nut seat	1
75	5710831	Vice jaw movable	1
76	5710841	Vice jaw stationary	1
77	5710851	HH screw 1/2x1-1/2	1
77-1	5517522	HH screw 1/2x1-1/4	1
78	5628371	Spring washer 1/2	2
79	5507523	Washer 1/2	1
81	5710891	Handle wheel 13mm	1
	5711781	Handle wheel 15mm	
82	5710911	Set screw 5/16x3/8	1
83	5710921	Lead screw - 13mm	1
83	5711791	Lead screw - 15mm	
84	5710931	HH screw 5/16x1	2
85	5710941	Washer 5/16	37
86	5710951	Lead screw seat	1
88	5517523	RH Ph. Screw 3/16x1/4	2
88-1	5517524	RH Ph. Screw 3/16x3/8	2
89	5710981	Spring handle mount - rear	1
90	5710991	Spring adjustable rod	1
91	5711011	Spring	1
92	5711411	HH screw 5/16x1-1/4	1
93	5711031	Spring washer 5/16	23
94	5711041	Nut 5/16	21
95	5711051	Pivot arm - 5/8 bore	1
	5711751	Pivot arm - 7/8 bore	
96	5517525	HH screw 3/8x1 3/4	1
97	5517526	Nut 3/8	3
99A	5517527	Fiber hex. nut 1/2	2
100	5711111	Washer 1/2	2
101	5711061	HH screw 3/8x1-1/2	2
102	5711131	Spring Washer 3/8	2
104	5711151	Power switch Assembly	2
105	5711161	Angle scale	1
107	5711181	Table - 5/8 bore	1
	5711761	Table - 7/8 bore	
108	5711191	HH screw 3/8x1	2
109	9056991	Nut 3/8x7x14	2
110	5711221	90 degree support	1
111	5517529	HH screw 3/8x1-3/4	2
115	5711271	Support shaft -5/8	1

Ref. no.	Part no.	Description	Qty.
	5711771	Support shaft - 7/8	
119	5711321	Stock stop	1
120	5711331	Thumb screw	1
121	5711341	Stock stop rod	1
123	5517530	HH screw 5/16x3/4	2
124	5711371	Horizontal stop screw support	1
125	5711381	Horizontal stop screw	1
127	5517531	HH screw 5/16x1	5
130	5711441	Trough	1
131	5711451	Floor stand, left	1
131A	5711451R	Floor stand, right	1
132	5711461	Skirt	1
135A	5711491	Shelf	1
137	5711521	Enclosure	1
138	5711531	Gasket	1
139	5711541	Cover plate	1
143	5711261	Screen	1
144	5711961	Spacer	1
161	5711941	Drain hose	1
146	5711971	Switch box	1
147	5711981	Round head screw 3/16x3/8	2
148	5517535	Cylinder	1
149	5517536	Hex. soc. screw M10x40	1
150	5517537	Washer 3/8	1
151	5517538	Spring washer 3/8	1
152	5517539	Nut M10	1
153	5517540	HH screw 3/8x1	2
154	5517541	Spring washer 3/8	2
155	5517542	Set screw	1
156	5517543	Bottom support	1
157	5517544	Support rod	1
160	5042291	Modular box	1
160A	5711452	Plastic funnel	1
162	5042281	Coolant pump 120V/240V submersible - for machines with serial numbers 02125948 and lower	1
	HBS916W-	CP Coolant pump 120V/240V not submersible - for machines with serial numbers 02125949 and higher	1
163	5517532	HH. screw 1/4x1/2	4
164	5517533	Hose fitting	1
165	5517534	Hose Clamp 13mm	1
166	9307291	Hose	1
167	5517528	Jam nut 3/8	1
168	5635500	Wet kit	2
169	5518228	Flat Washer 5/8	4
170	5518229	Wheel	4
171	5518230	Wheel shaft	2
172	5518231	Split pin	4

# Parts List - Hydraulic Cylinder



Ref. no.	Part no.	Description	Qty.
1	5517547	Dust cover	1
2	5517548	Retaining ring	2
3	5517549	Oil-seal	1
4	5517550	Oil-piston	1
5	5517551	O-ring	1
6	5517552	Cylinder body	1
7	5517553	Oil pressure regulator	1
8	5517554	Oil duct	1