

## Saw Table - F 012 340 04A - 3400

Item	Part Number	Description	Illustration	Price	Quantity	Price Group
1	2 610 358 924	Motor Housing	1	-,-	1	29
2	2 610 909 424	Field 120V	1	-,-	1	37
3	2 610 905 924	Armature 120V	1	-,-	1	47
4	2 610 358 111	On-Off Switch	1	-,-	1	30
5	2 610 909 430	Power supply cord	1	-,-	1	32
6	2 610 358 840	Grommet	1	-,-	1	12
7	2 610 358 842	Clamp	1	-,-	1	11
8	2 610 317 477	Nameplate	1	-,-	1	-
13	2 610 015 747	Ball Bearing	1	-,-	1	26
14	2 610 017 349	Deep-Groove Ball Bearing	1	-,-	1	31
18	2 610 358 800	Pivoting Blade Guard	2	-,-	1	27
19	2 610 990 536	Base	1	-,-	1	33
20	2 610 909 881	Reference Plate	1	-,-	1	15
21	2 610 702 414	Screw	2	-,-	1	11
22	2 610 358 803	Spacer	2	-,-	2	12
23	2 610 358 801	Washer	2	-,-	1	11
24	2 610 358 802	Washer	1	-,-	6	11
25	2 610 304 772	Nut	1	-,-	2	11
26	2 610 358 804	Backing Pad	N/A	-,-	1	11
27	2 610 905 900	Bracket Holder	2	-,-	1	18
28	2 610 358 806	Pivot Pin	2	-,-	2	11
29	2 610 358 807	Nut	2	-,-	4	11
31	2 610 358 811	Pin	2	-,-	1	-
32	2 610 358 808	Holding Plate	2	-,-	2	12
33	2 610 358 809	Spacer	2	-,-	2	11
34	2 610 358 814	Plate	2	-,-	1	18
35	2 610 358 810	Spring	2	-,-	1	11
36	2 610 358 812	Bolt	2	-,-	1	11
37	2 610 358 813	Nut	2	-,-	2	11
38	2 610 703 214	Screw	1	-,-	1	11
39	2 610 910 013	Washer	1	-,-	2	12
40	2 610 358 816	Block	1	-,-	1	11
41	2 610 358 819	Screw	1	-,-	4	12

Item	Part Number	Description	Illustration	Price	Quantity	Price Group
42	2 610 910 012	Bracket Holder	1	-,-	1	15
43	2 610 910 015	Collar bolt	1	-,-	1	12
44	2 610 355 325	Spring Washer	1	-,-	1	10
45	2 610 358 821	Wing Nut	1	-,-	1	12
46	2 610 358 897	Handle	2	-,-	1	16
47	2 610 044 563	Nut	2	-,-	1	11
48	2 610 358 895	Bolt	2	-,-	1	13
49	2 610 358 896	Pin	2	-,-	1	13
50	2 610 358 894	Bolt	2	-,-	1	-
51	2 610 910 017	Clamping Piece	2	-,-	1	20
52	2 610 358 890	Lever	2	-,-	1	16
53	2 610 358 891	Clamp	2	-,-	1	15
54	2 610 358 892	Cover	2	-,-	2	12
55	2 610 358 898	Screw	2	-,-	1	14
56	2 610 358 899	Spring	2	-,-	1	11
57	2 610 358 901	Screw	2	-,-	1	11
58	2 610 358 900	Pointer	2	-,-	1	12
59	2 610 358 889	Housing	2	-,-	1	-
60	2 610 358 888	Housing	2	-,-	1	29
61	2 610 358 887	Sliding Piece	2	-,-	1	13
62	2 610 358 886	Spring	2	-,-	1	-
63	2 610 358 885	Clamp	2	-,-	1	15
64	2 610 358 884	Rod	2	-,-	1	16
65	2 610 912 929	Handle	2	-,-	1	-
66	2 610 358 907	Washer	2	-,-	1	11
67	2 610 358 910	Gear Housing	2	-,-	1	27
68	2 610 358 911	Pin	2	-,-	1	11
69	2 610 358 913	Sliding Piece	2	-,-	1	14
70	2 610 358 832	Screw	1	-,-	9	11
71	2 610 990 539	Cyl Head tapping screw	2	-,-	1	11
72	2 610 990 540	Pointer	2	-,-	1	11
73	2 610 358 912	Guide	2	-,-	1	21
74	2 610 358 858	Nut	1	-,-	1	13
75	2 610 358 857	Washer	1	-,-	1	17
77	2 610 358 914	Shaft	1	-,-	1	29
78	2 610 358 915	Key	1	-,-	1	13
79	2 610 015 361	Deep-Groove Ball Bearing	1	-,-	1	28
80	2 610 358 916	Spring retaining ring	1	-,-	1	11
81	2 610 358 920	Screw	1	-,-	6	11
82	2 610 358 917	Bearing Housing	1	-,-	1	15
83	2 610 358 918	Bearing Housing	1	-,-	1	22
84	2 610 358 919	Conversion Gear	1	-,-	1	27
85	2 610 358 922	Needle-Roller Bearing	1	-,-	1	24
86	2 610 908 278	Gear Housing	1	-,-	1	33
87	2 610 358 926	Collar bolt	1	-,-	2	-
88	2 610 358 936	Washer	1	-,-	2	11
89	2 610 358 927	Washer	1	-,-	1	11
90	2 610 358 928	Screw	1	-,-	3	11
91	2 610 351 107	Nut	1	-,-	2	11
92	2 610 358 937	Rubber Buffer	1	-,-	2	11
93	2 610 358 935	Housing	1	-,-	1	16
94	2 610 358 932	Connector	1	-,-	1	11
95	2 610 909 438	Cord	1	-,-	1	16

Item	Part Number	Description	Illustration	Price	Quantity	Price Group
96	2 610 358 934	Grommet	1	-,-	1	12
97	2 610 358 822	Insert	1	-,-	1	19
98	2 610 358 823	Screw	1	-,-	2	11
99	2 610 358 824	Nut	1	-,-	2	11
100	2 610 358 826	Cross Recessed-Head Screw	1	-,-	6	11
101	2 610 358 827	Screw	1	-,-	1	11
102	2 610 358 828	Screw	1	-,-	1	11
103	2 610 905 907	Table	1	-,-	1	47
104	2 610 358 451	Scale	1	-,-	1	13
105	2 610 358 876	Nut	1	-,-	15	11
106	2 610 358 867	Strap	1	-,-	4	12
107	2 610 905 903	Rod	1	-,-	1	18
108	2 610 903 744	Strap	1	-,-	2	11
109	2 610 905 904	Bracket Holder	1	-,-	1	18
110	2 610 358 863	Hex Screw	1	-,-	1	11
111	2 610 358 865	Block	1	-,-	1	12
112	2 610 905 908	Cross Recessed-Head Screw	1	-,-	3	11
113	2 610 358 882	Bolt	1	-,-	2	11
114	2 610 908 268	Screw	1	-,-	2	11
115	2 610 908 270	Washer	1	-,-	2	11
116	2 610 908 271	Tapping Screw	1	-,-	2	11
117	2 610 908 269	Support	1	-,-	1	14
118	2 610 990 544	Motor Bracket	1	-,-	1	21
119	2 610 910 044	Pan head screw	1	-,-	1	13
120	2 610 358 860	Hex Screw	1	-,-	3	11
121	2 610 908 272	Nut	1	-,-	2	10
122	2 610 358 861	Hex Screw	1	-,-	2	11
123	2 610 358 862	Spacer	1	-,-	2	12
124	2 610 358 869	Retaining snap ring	1	-,-	1	11
125	2 610 901 978	Spacer	1	-,-	1	11
126	2 610 358 874	Pivot Pin	1	-,-	1	17
127	2 610 358 877	Hex Nut	1	-,-	2	11
128	2 610 358 878	Washer	1	-,-	1	11
129	2 610 358 879	Washer	1	-,-	1	11
130	2 610 358 868	Spring Pin	1	-,-	1	15
131	2 610 990 545	Mounting Plate	1	-,-	1	35
132	2 610 903 733	Spring	1	-,-	1	12
133	2 610 990 546	Handwheel	1	-,-	1	20
134	2 610 358 838	Knob	1	-,-	1	14
135	2 610 990 547	Pan head screw	1	-,-	1	11
136	2 610 358 833	Washer	1	-,-	2	11
137	2 610 990 548	Handle	1	-,-	1	42
138	2 610 358 844	Screw	1	-,-	3	11
139	2 610 910 018	Switch Cover	1	-,-	1	-
140	2 610 358 831	Clamping Plate	1	-,-	1	11
141	2 610 358 846	Rubber Bushing	1	-,-	4	11
142	2 610 358 841	Hex Screw	1	-,-	2	11
143	2 610 909 882	Reference Plate	1	-,-	1	15
144	2 610 358 830	Hex Screw	1	-,-	4	11
145	2 610 306 005	Cross Recessed-Head Screw	1	-,-	2	12
146	2 610 026 248	Washer	1	-,-	2	11
147	2 610 358 881	Pointer	1	-,-	1	14
148	2 610 990 549	Deflector Plate	1	-,-	1	12

Item	Part Number	Description	Illustration	Price	Quantity	Price Group
149	2 610 994 251	Spacer	1	-,-	1	11
150	2 610 994 252	Carrying Bolt	1	-,-	1	12
151	2 610 358 902	Guide	1	-,-	1	31
152	2 610 358 903	Cover	1	-,-	2	13
153	2 610 905 909	Screw	1	-,-	4	11
154	2 610 358 904	Spacer	1	-,-	4	13
650	2 610 358 853	Single-Head Eng. Wrench	2	-,-	1	18
651	2 610 996 880	Key	2	-,-	1	17
753	2 610 080 093	Table	2	-,-	1	-
753/6	2 610 016 325	Bolt	2	-,-	24	10
753/7	2 610 994 262	Clamp	2	-,-	28	12
753/8	2 610 967 194	Screw	2	-,-	4	12
753/9	2 610 909 178	Plain Washer	2	-,-	4	10
753/10	2 610 994 283	Base	2	-,-	4	12
754	2 610 080 099	Dust Bag	2	-,-	1	-
754/2	2 610 990 516	Dust container	2	-,-	1	28
756	2 610 080 089	Extension Set	2	-,-	1	-
756/2	1 619 X00 942	Washer	2	-,-	4	10
756/3	2 610 304 772	Nut	2	-,-	2	11
756/4	2 610 702 414	Screw	2	-,-	2	11
756/5	2 610 905 936	Screw	2	-,-	2	11
756/6	2 610 911 906	Washer	2	-,-	2	11
810	2 610 909 439	Carbon-Brush Set	1	-,-	1	25
818	2 610 358 943	Protection	2	-,-	1	30
860	2 610 994 267	Assembly Of Service Parts	2	-,-	1	36
867	2 610 994 255	Mitre Gauge	2	-,-	1	30

Illustration - Type E

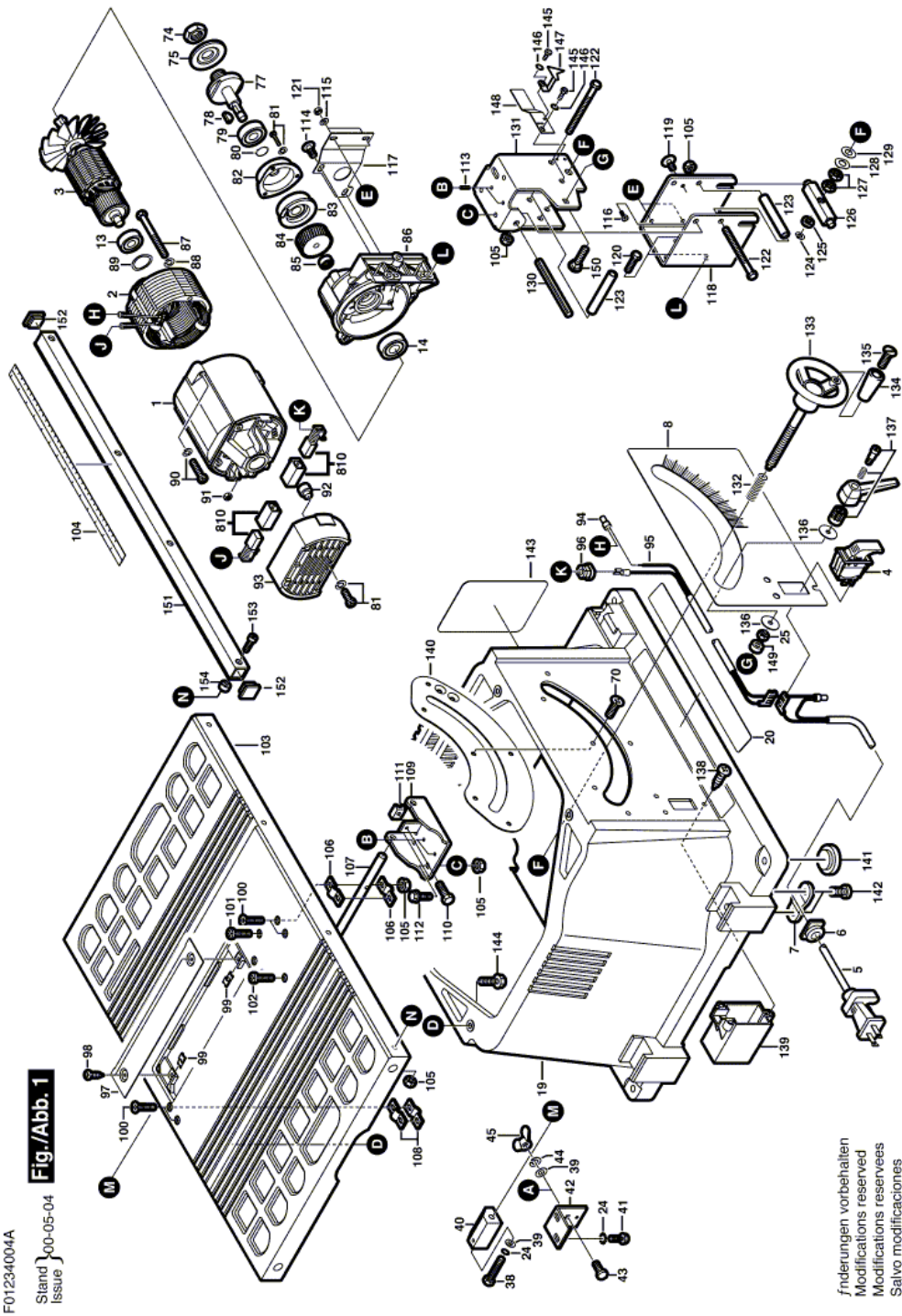
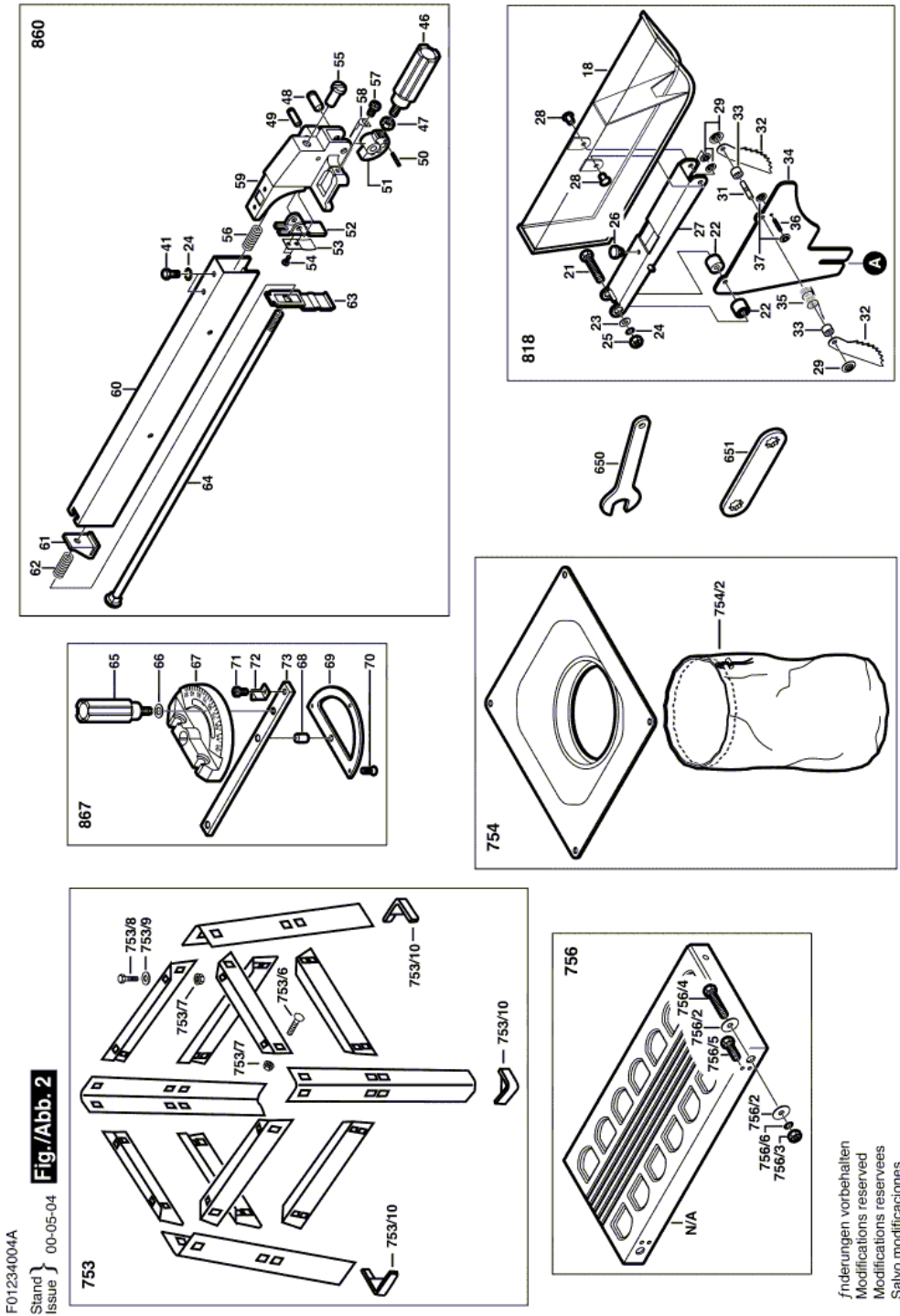


Illustration - Type E



**Fig./Abb. 2**

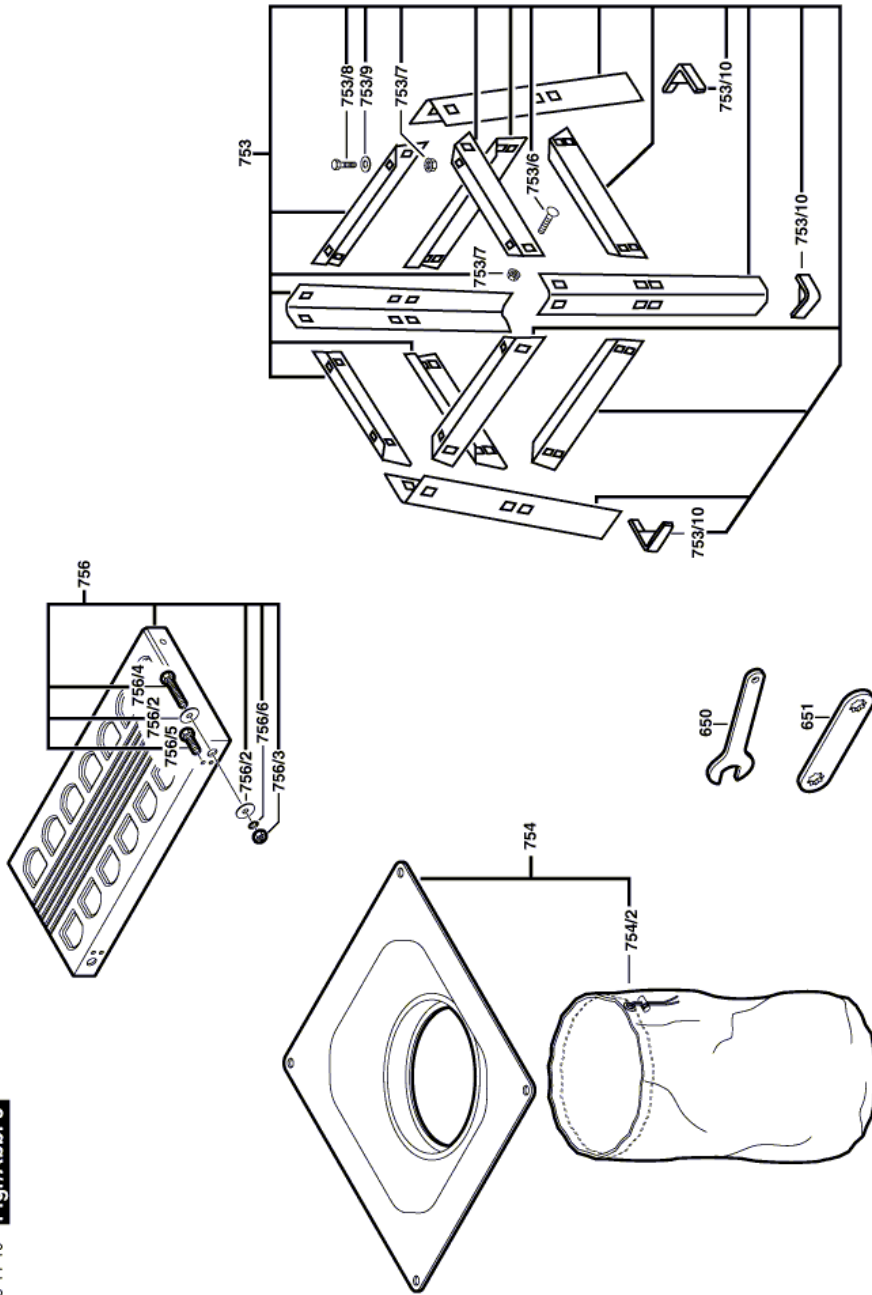
F01234004A  
 Stand }  
 Issue } 00-05-04

Änderungen vorbehalten  
 Modifications reserved  
 Modificaciones reservadas  
 Salvo modificaciones

Illustration - Type E

F 012 340 04A  
Stand } 98-11-10  
Issue }

**Fig./Abb. 3**



Anderungen vorbehalten  
Modifications reserved  
Modificaciones reservadas  
Salvo modificaciones

Information subject to change without further notice.