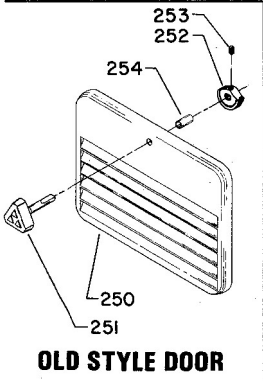
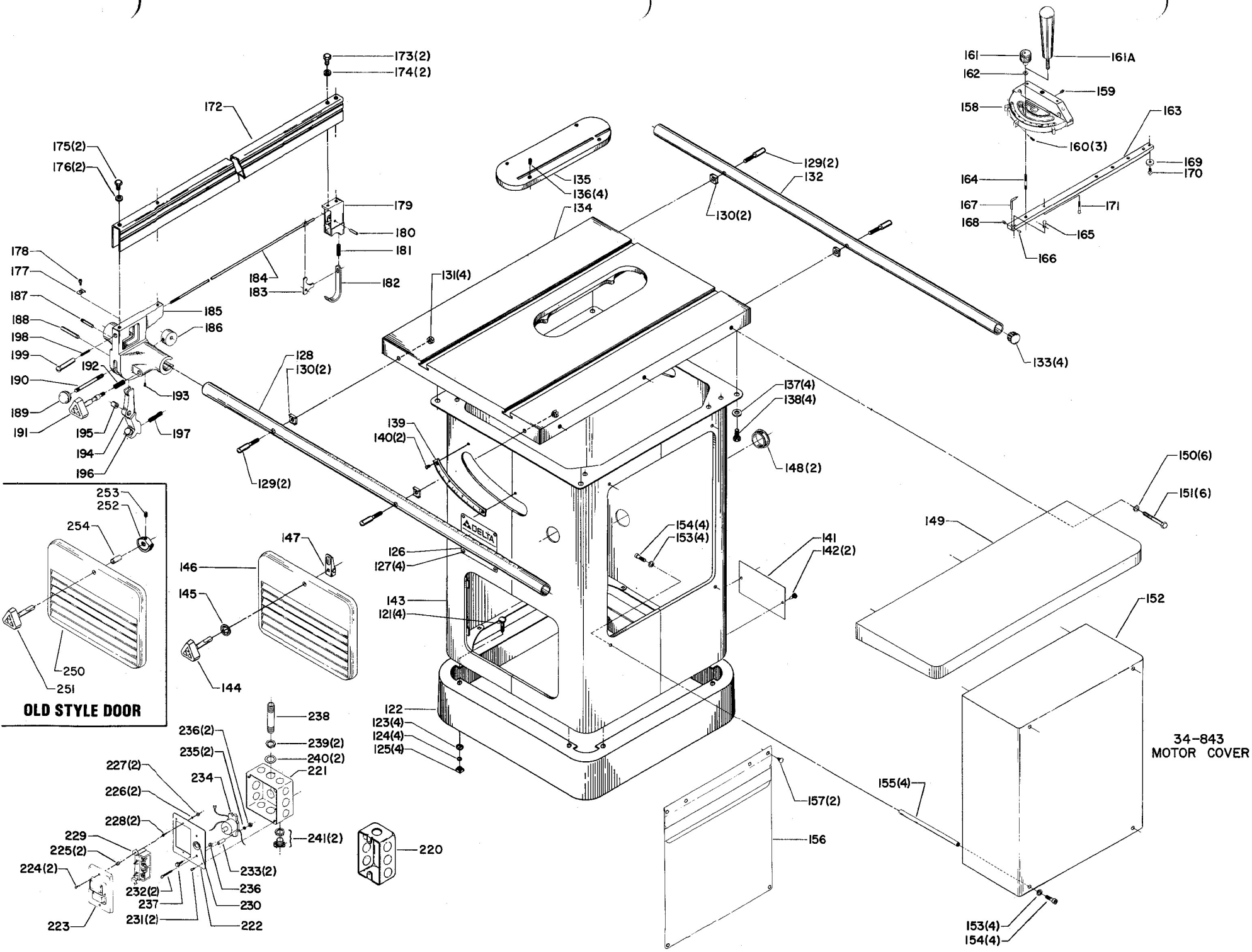


EARLY MODEL CABINETS



34-843
 MOTOR COVER