

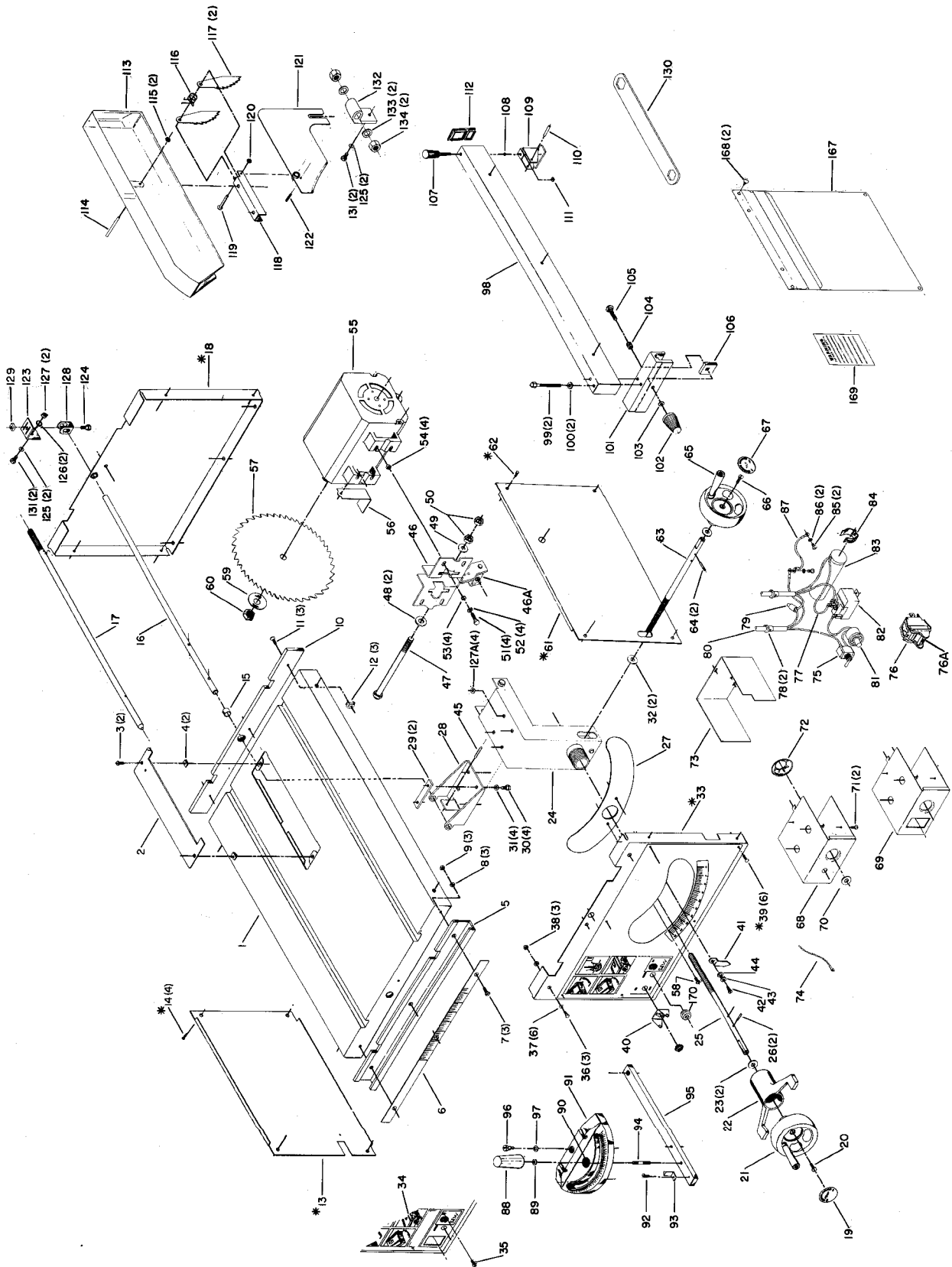


34-570, 34-580, 9" HOMECRAFT SAW
34-573 GRID EXTENSION WINGS
34-583 SOLID EXTENSION WINGS
50-802 STAND

CS-3

422-18-651-0003

Revised 4-15-85



Replacement Parts

Ref. No.	Part No.	Description	Ref. No.	Part No.	Description
1	1087437	Table	68	CANNOT FURNISH	Electrical Box Front (Early Model) (See A)
2	1087407	Table Insert	69	422-18-013-0001	Electrical Box Front (Current Model)
3	1087522	#6 Sheet Metal Scr.	70	1087506	Felt Washer (Early Model)
4	1087649	Tinnerman Nut	71	901-06-121-7383	Screw
5	1087838	Front Rail	72	1087448	Overload Clamp
6	1087682	Rip Scale	73	1087418	Electrical Box Back
7	901-02-030-0473	#10-24 x 5/8" Ft. Hd. Scr.	74	438-01-004-0040	Tie Strap
8	904-03-030-1757	1/4" Ext. Tooth Lockwasher	75	438-01-017-0079	Switch (Early Model)
9	902-01-120-1216	#10-24 Hex. Nut	76	438-01-017-0140	Switch (Current Model), Incl.:
10	1087536	End Plate	76A	400-06-068-0002	Switch Key (Current Model) (See C)
11	901-02-030-0473	#10-24 x 5/8" Ft. Hd. Scr.	76A	400-06-068-0001	Switch Key (Intermediate Mod.) (See C)
12	1087825	Tinnerman Nut	77	1087493	Jumper Wire
*13	1087419	Left Panel	78	438-01-004-0062	Hey Co Bushing
*14	1087576	#8 Sheet Metal Scr.	79	438-01-007-0042	Wire Nut
15	1087858	Spacer	80	1087496	Power Cord
16	1087455	Pivot Rod (Early Model)	81	438-01-017-0143	Overload (See B)
17	422-18-108-0001	Pivot Rod (Current Model)	82	438-01-015-0027	Relay (See B)
*18	1087423	Rear Panel	83	1225324	Capacitor
19	1087517	By Request Only	84	1087453	Clamp
20	901-02-030-0473	#10-24 x 5/8" Ft. Hd. Scr.	85	901-06-121-7383	#10-24 x 3/8 Rd. Hd. Screw
21	1087472	Handwheel Ass'y	86	904-03-030-1795	#1110-00 Shakeproof Lockwasher
22	1087447	Lock Handle	87	1087714	Ground Wire
23	1087577	1/2 x 3/4 x 1/16" T.K. Washer	**	1087469	Miter Gage, Consisting of:
24	1087643	Raising & Tilting Bracket Ass'y., Incl:	88	1087524	Handknob
25	1087403	Raising Shaft	89	904-07-010-5555	Fiber Washer
26	905-01-010-2704	1/8 x 3/4" Roll Pin	90	Emblem	By Request Only
27	1087457	Guard	91	1086399	Miter Gage
28	1087787	Pivot Bracket	92	0908459	Special Screw
29	1087812	Bar	93	1087397	Pointer
30	901-01-060-0612	1/4-20 X 5/8".Hex.Hd. Screw	94	1087519	Stud
31	1087791	Flat Washer	95	1087458	Miter Gage Bar
32	1087577	1/2 x 3/4 x 1/16" T.K. Washer	96	1086924	Special Screw
*33	CANNOT FURNISH	Front Panel Ass'y. (Early Model) (See A)	97	1086926	Spring Washer
*34	422-18-331-0001	Front Panel Ass'y., (Current Model)	**	1087471	Rip Fence, Consisting of:
35	1087576	#8 Sheet Metal Scr.	98	1087470	Rip Fence
36	901-01-060-0611	1/4-20 x 1/2" Hex Hd. Scr.	99	901-01-060-5768	1/4-20 x 2-1/2" Hex Hd. Bolt
37	904-01-010-1603	1/4" Flat Washer	100	904-01-010-1603	1/4" Flat Washer
38	902-01-120-1034	1/4-20 Hex Nut	101	1087410	Block
*39	1087576	#8 Sheet Metal Scr.	102	1087524	Handknob
40	424-01-014-0002	Switch Bracket (Early Model)	103	904-07-010-5555	Fiber Washer
41	1087387	Pointer	104	1087686	Spring
42	1087576	#8 Sheet Metal Scr.	105	901-11-020-0819	1/4-20 x 1-1/2" Car. Bolt
43	904-01-010-1602	3/16" x 7/16" Flat Washer	106	1087395	Clamp
44	904-03-030-1795	#10 External Tooth Lockwasher	107	1087533	Handknob
45	905-01-010-2708	3/16 x 1-1/4" Roll Pin	108	904-01-042-0659	Washer
46	1087637	Motor Clamp, Incl.:	109	1087602	Clamp
46A	1088375	Nut	110	905-01-010-2706	3/16 x 1" Roll Pin
47	1087866	Pivot Bolt	111	1087614	Palnut
48	904-01-010-1622	21/32 x 1-5/16 x 12 Gage Washer	112	1087452	End Cap
49	1087577	1/2 x 3/4 x 1/16" T.K. Washer	**	1087468	Blade Guard, Consisting of:
50	902-01-100-1006	1/2 x 13 Hex Nut	113	1086334	"See Thru" Guard
51	901-01-060-0626	1/4-20 x 3/4" Hex Hd. Cap Scr.	114	1087811	Pin
52	904-03-030-1757	1/4" Ext. Tooth Lockwasher	115	1086388	Push Nut Cap
53	904-01-010-1603	1/4" Flat Washer	116	1086353	Spring
54	902-01-120-1034	1/4-20 Hex Nut	117	422-16-047-0001	Kickback Finger
55	438-02-314-0679	Motor, Incl.:	118	1086337	Pivot Bracket
*	920-04-020-5335	Bearing	119	422-16-071-0002	Pin
56	1087702	Bracket	120	1086387	Push Nut
57	34-627	Blade	121	1087467	Splitter 2/Bushing
58	1087775	#6A x 3/8" Sheet Metal Screw	122	905-01-010-6729	3/16 X 1/2" Roll Pin (Early Model Only)
59	422-04-103-5009	Arbor Flange	122	905-01-012-0311	1/4 X 11/16" Roll Pin (Current Model Only)
60	902-01-201-2567	Arbor Nut	123	1087401	Splitter Bracket (Early Model)
*61	1087408	Right Panel	124	901-01-060-0611	1/4-20 x 1/2" Hex Hd. Scr.
*62	1087576	#8 Sheet Metal Scr.	125	904-01-010-1603	1/4" Flat Washer
63	1087404	Tilt. Screw	126	904-03-030-1757	1/4" Ext. Tooth Lockwasher (Early Model)
64	905-01-010-2704	1/8 x 3/4 Roll Pin	127	902-01-120-1034	1/4-20 Hex Nut (Early Model)
65	1087472	Handwheel Ass'y.	127A	904-03-030-1757	1/4" Lockwasher
66	901-02-030-0473	#10-24 x 5/8" Ft. Hd. Scr.	**	Not Shown Assembled.	
67	1087518		*	Not Shown	

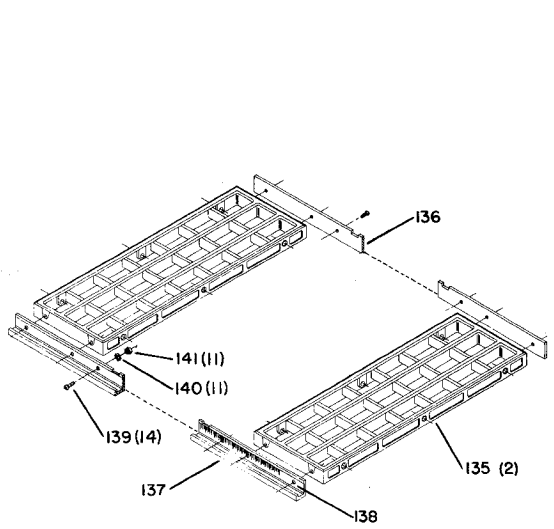
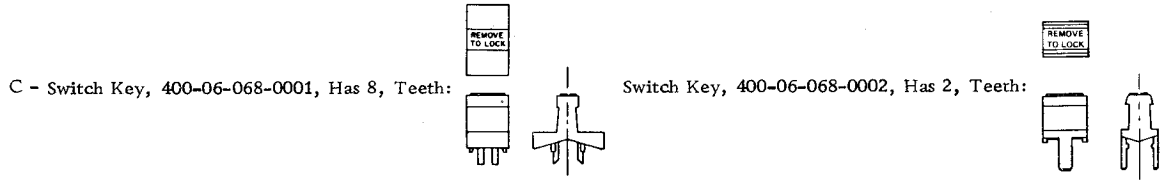
Replacement Parts

Ref. No.	Part No.	Description	Ref. No.	Part No.	Description
130	1087400	Clamp (Early Model)	132	422-18-014-0001	Splitter Bkt. (Current Model)
	902-02-040-1306	1/4-20 Sq. Nut	133	1087577	1/2 x 3/4 x 1/16" T.K. Washer (Current Model)
130	1087708	Wrench	134	902-01-020-1266	1/2-13 Hex Nut (Current Model)
131	901-01-060-0611	1/4-20 x 1/2" Hex Hd. Screw			

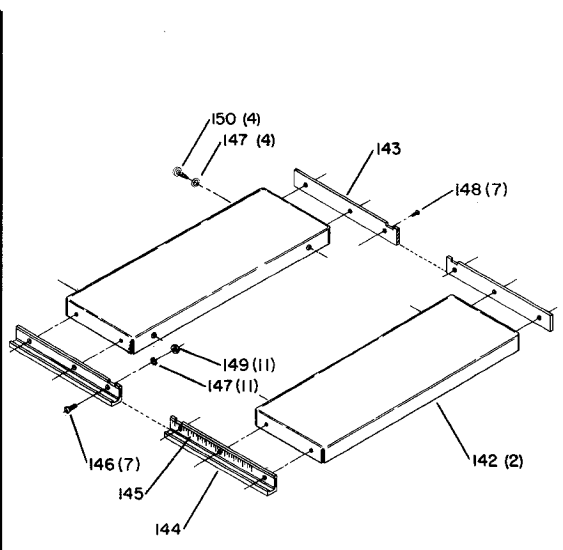
* The front, side, and rear panels on units prior to serial no. HJ-9325 were riveted together at the factory. They may be replaced individually by drilling out the rivets and using #8 sheet metal screws to fasten in place.

SERVICE NOTES: A - To replace old style front cover or electrical box front with round switch openings the following parts must be added as a set: Front Cover, Ref. (34), Electrical Box Front Ref. (69), Switch Ref. (76), and Two Screws Ref. (35).

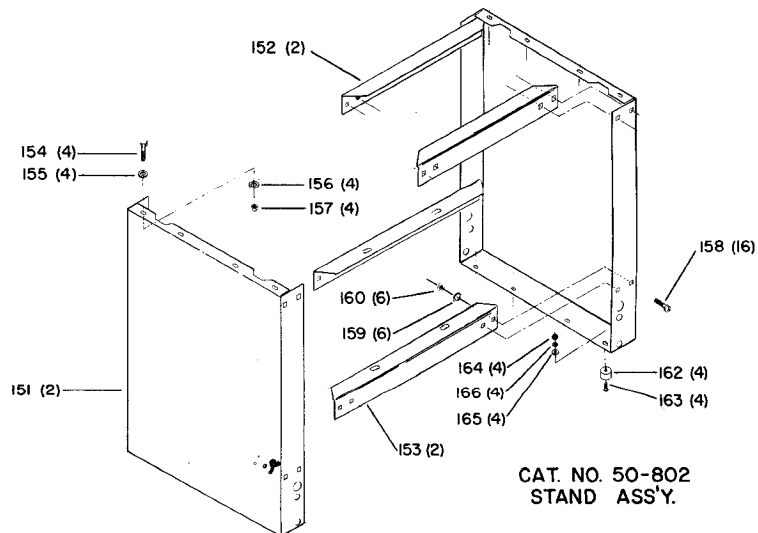
B - When replacing either the overload or the relay on saws with serial numbers prior to 80E00898, both components (the overload and the relay) must be replaced together. A service kit (part no. 422-18-317-0001) containing the overload, relay and installation instructions is available for this purpose.



GRID EXTENSION WINGS AND GUIDE RAILS



SOLID EXTENSION WINGS AND GUIDE RAILS



CAT. NO. 50-802
STAND ASS'Y.

Replacement Parts

Ref. No.	Part No.	Description	Ref. No.	Part No.	Description
135	1087538	Extension Wing	**	50-802	Stand, Consisting of:
136	1087536	End Plate	151	1087508	Front & Rear Panels
137	1087838	Front Rail, including:	152	1087509	Top Flange
138	1087682	Scale	153	426-02-103-0002	Bottom Flange
139	901-02-030-0473	#10-24 x 5/8" Flat Hd. Mach. Scr.	154	901-01-060-0626	1/4-20 x 3/4" Hex Hd. Cap Scr.
140	904-03-030-1795	#1110-00 Shakeproof Lockwasher	155	904-01-010-1603	1/4 x 9/16 x 3/64 Washer
141	902-01-120-1216	#10-24 Hex Nut	156	904-03-030-1757	1/4" Ext. Tooth Lockwasher
142	422-02-109-0004	Extension Wing	157	902-01-120-1034	1/4-20 Hex Nut
143	1087536	End Plate	158	901-11-020-0834	5/16-18 x 3/4" Car. Bolt
144	1087838	Front Rail, including:	159	904-02-020-1704	3/8" Lockwasher
145	1087682	Scale	160	902-01-040-1030	5/16-18 Hex Nut
146	901-02-030-0473	#10-24 x 5/8" Flat Hd. Mach. Scr.	162	400-06-048-0001	Rubber Foot
147	904-03-030-1795	#1110-00 Shakeproof Lockwasher	163	901-02-120-7504	1/4-20 X 5/8" Truss Hd. Scr.
148	901-02-030-0473	#10-24 x 5/8" Flat Hd. Scr. (Early Models)	164	902-01-120-1034	1/4-20 Hex Nut
148	901-02-010-0525	#10-24 x 1/2" Rd. Hd. Scr. (Current Models)	165	904-01-010-1614	1/4" Washer
149	902-01-120-1216	#10-24 Hex Nut	166	904-02-020-1702	1/4" Lockwasher
150	901-05-211-7379	10 - A x 1/2" Screw	167	400-06-603-0001	Envelope
			168	400-06-079-0001	Retainer
			169	422-16-754-0002	Warning Label (Early Model Only)
			170	1087694	Rubber Grommet

* * NOT SHOWN ASSEMBLED

