

## Belt Sander - F 012 337 000 - 3370 TYPE 1

Item	Part Number	Description	Illustration	Price	Quantity	Price Group
1	2 610 358 174	Knob	1	-,-	1	-
2	2 610 358 175	Supporting Frame	1	-,-	1	-
3	2 610 302 311	Washer	1	-,-	1	-
4	2 610 358 419	Screw	1	-,-	1	-
5	2 610 358 177	Table top	1	-,-	1	-
6	2 610 358 420	Screw	1	-,-	4	-
7	2 610 358 180	Pointer	1	-,-	1	-
8	2 610 358 421	Screw	1	-,-	2	-
9	2 610 358 181	Rod	1	-,-	1	-
10	2 610 358 111	On-Off Switch	1	-,-	1	30
11	2 610 358 461	Switch Plate	1	-,-	1	-
12	2 610 358 422	Screw	1	-,-	8	-
13	2 610 358 183	Lead Wire	1	-,-	1	-
14	2 610 358 423	Screw	1	-,-	1	-
15	2 610 358 184	Electronic Module	1	-,-	1	-
16	2 610 358 185	Switch Cover	1	-,-	1	-
17	2 610 304 943	Connector	1	-,-	1	-
18	2 610 068 489	Grommet	1	-,-	2	-
19	2 610 358 186	Power supply cord	1	-,-	1	-
20	2 610 358 101	Base	1	-,-	1	-
21	2 610 358 118	Motor	1	-,-	1	-
22	2 610 358 424	Screw	1	-,-	1	-
23	2 610 358 187	Spring	1	-,-	1	-
24	2 610 358 425	Screw	1	-,-	1	-
25	2 610 358 188	Spring Plate	1	-,-	1	-
26	2 610 021 599	Locking Washer	1	-,-	5	-
27	2 610 358 189	Knob	1	-,-	1	-
28	2 610 326 586	Washer	1	-,-	2	11
29	2 610 358 190	Guide	1	-,-	1	-
30	2 610 358 426	Screw	1	-,-	1	-
31	2 610 012 710	Washer	1	-,-	1	-
32	2 610 358 191	Pointer	1	-,-	1	-
33	2 610 358 442	Strip	1	-,-	1	-

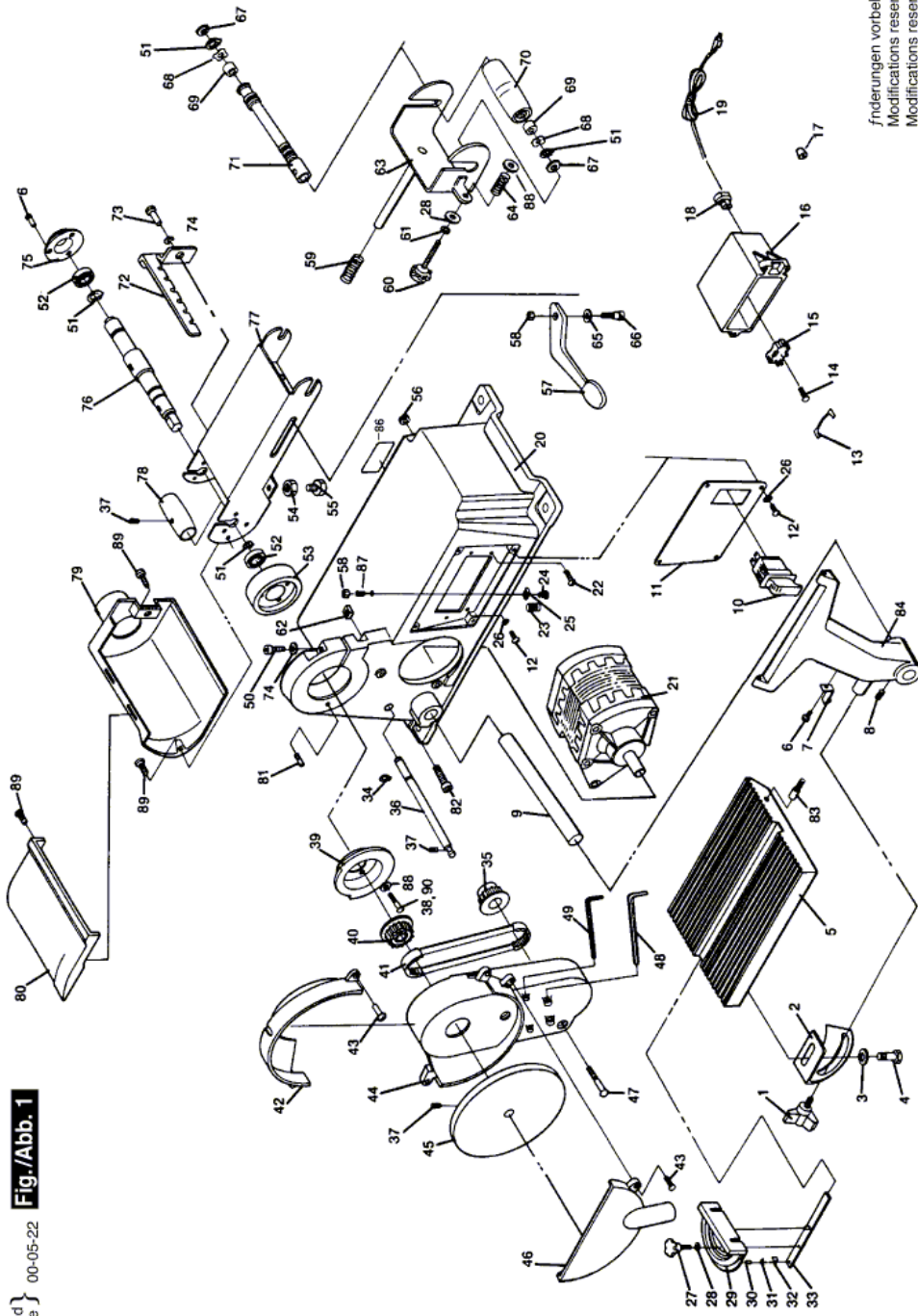
Item	Part Number	Description	Illustration	Price	Quantity	Price Group
34	2 610 380 120	Retaining snap ring	1	-,-	1	10
35	2 610 990 509	Pulley	1	-,-	1	-
36	2 610 358 194	Rod	1	-,-	1	-
37	2 610 358 428	Screw	1	-,-	1	-
38	2 610 358 429	Screw	1	-,-	3	-
39	2 610 358 418	Retaining Plate	1	-,-	1	-
40	2 610 358 195	Pulley	1	-,-	1	-
41	2 610 358 196	Toothed Belt	1	-,-	1	-
42	2 610 358 197	Cover	1	-,-	1	-
43	2 610 358 430	Screw	1	-,-	4	-
44	2 610 358 198	Gear Cover	1	-,-	1	-
45	2 610 358 199	Plate	1	-,-	1	-
46	2 610 358 400	Cover	1	-,-	1	-
47	2 610 358 431	Screw	1	-,-	2	-
48	2 610 343 330	Hexagon Socket Wrench 7/32"	1	-,-	1	-
49	2 610 358 432	Adjusting Wrench 1/8"	1	-,-	1	-
50	2 610 358 433	Screw	1	-,-	1	-
51	2 610 356 449	Retaining snap ring	1	-,-	4	-
52	2 610 015 747	Ball Bearing	1	-,-	1	26
53	2 610 358 401	Bearing Housing	N/A	-,-	1	-
54	2 610 358 435	Nut	1	-,-	1	-
55	2 610 358 436	Screw	1	-,-	1	-
56	2 610 358 437	Grommet	1	-,-	1	-
57	2 610 358 182	Lever	1	-,-	1	-
58	2 610 358 438	Nut	1	-,-	2	-
59	2 610 358 404	Spring	1	-,-	1	-
60	2 610 358 405	Knob	1	-,-	1	-
61	2 610 026 095	Washer	1	-,-	1	13
62	2 610 358 434	Nut	1	-,-	1	-
63	2 610 358 406	Drum	1	-,-	2	-
64	2 610 358 407	Spring	1	-,-	1	-
65	2 610 355 325	Spring Washer	1	-,-	1	10
66	2 610 043 235	Screw	1	-,-	1	-
67	2 610 358 408	Rubber Collar	1	-,-	2	-
68	2 610 358 439	Plain Washer	1	-,-	2	10
69	2 610 358 440	Bearing	1	-,-	2	-
70	2 610 358 409	Pulley	1	-,-	1	-
71	2 610 358 410	Shaft	1	-,-	1	-
72	2 610 358 411	Stop Bracket	1	-,-	1	-
73	2 610 358 441	Screw	1	-,-	1	-
74	2 610 355 271	Plain Washer	1	-,-	1	15
75	2 610 358 412	Bearing	1	-,-	1	-
76	2 610 358 413	Shaft	1	-,-	1	-
77	2 610 358 414	Belt	1	-,-	1	-
78	2 610 358 415	Drum	1	-,-	1	-
79	2 610 358 416	Cover	1	-,-	1	-
80	2 610 358 417	Cover	1	-,-	1	-
81	2 610 358 443	Bolt	1	-,-	1	-
82	2 610 358 427	Screw	1	-,-	1	-
83	2 610 358 178	Pivot Pin	1	-,-	2	-
84	2 610 358 179	Support	1	-,-	1	-
86	2 610 358 460	Nameplate	1	-,-	1	-
87	2 610 903 732	Screw	1	-,-	1	-

Item	Part Number	Description	Illustration	Price	Quantity	Price Group
88	2 610 044 566	Nut	1	-,-	2	-
89	2 610 358 994	Screw	1	-,-	3	-
90	2 610 903 731	Screw	1	-,-	3	-

F012337000

Stand }  
Issue } 00-05-22

**Fig./Abb. 1**



Änderungen vorbehalten  
Modifications reserved  
Modifications reserves  
Salvo modificaciones