

Parts Lists

Model AP0-M – 1/2-ton Arbor Press

Index	Part No.	Description	Qty
1	AP0-01	Base	1
2	AP0-06	Anvil	1
3	AP0-16	Spring Pin 6x16	1
4	AP0-02	Ram	1
5	AP0-5-1	Cap	2
6	AP0-6-1	Handle	1
7	TS-1482051	Bolt, Hex M6x25	4
8	TS-1550041	Washer M6	4
9	TS-1482051	Bolt, Hex M6x25	2
10	TS-1482061	Bolt, Hex M6x30	2
11	TS-1540041	Nut, Hex M6	4
12	AP0-12	Plate	1
13	TS-1523011	SHSS M6x6	1
14	AP0-10	Pinion Retainer	1
15	TS-1482021	Bolt, Hex M6x12	1
16	AP0-03	Pinion	1
17	AP0-05	Knob	1
18	TS-2361061	Lock Washer M6	4
	AP0-19	ID Label (not shown)	1

Model AP1-M – 1-ton Arbor Press

Index	Part No.	Description	Qty
1	AP1-01	Base	1
2	AP1-06	Anvil	1
3	AP0-16	Spring Pin 6x16	1
4	AP1-02	Ram	1
5	AP1-5-1	Cap	2
6	AP1-6-1	Handle	1
7	TS-1482051	Bolt, Hex M6x25	4
8	TS-1550041	Washer M6	4
9	TS-1482051	Bolt, Hex M6x25	2
10	TS-1482061	Bolt, Hex M6x30	2
11	TS-1540041	Nut, Hex M6	4
12	AP1-12	Plate	1
13	TS-1523011	SHSS M6x6	1
14	AP1-10	Pinion Retainer	1
15	TS-1482021	Bolt, Hex M6x12	1
16	AP1-03	Pinion	1
17	AP1-05	Knob	1
18	TS-2361061	Lock Washer M6	4
	AP1-19	ID Label (not shown)	1

Model AP2-M – 2-ton Arbor Press

Index	Part No.	Description	Qty
1	AP2-01	Base	1
2	AP2-06	Anvil	1
3	AP2-16	Spring Pin 6x25	1
4	AP2-02	Ram	1
5	AP2-5-1	Cap	2
6	AP2-6-1	Handle	1
7	TS-1490051	Bolt, Hex M8x30	4
8	TS-1550061	Washer M8	4

9	TS-1490051	Bolt, Hex M8x30	2
10	TS-1490051	Bolt, Hex M8x30	2
11	TS-1540061	Nut, Hex M8	4
12	AP2-12	Plate	1
13	TS-1523011	SHSS M6x6	1
14	AP2-10	Pinion Retainer	1
15	TS-1490021	Bolt, Hex M8x16	1
16	AP2-03	Pinion	1
17	AP2-05	Knob	1
18	TS-2361081	Lock Washer M8	4
	AP2-19	ID Label (not shown)	1

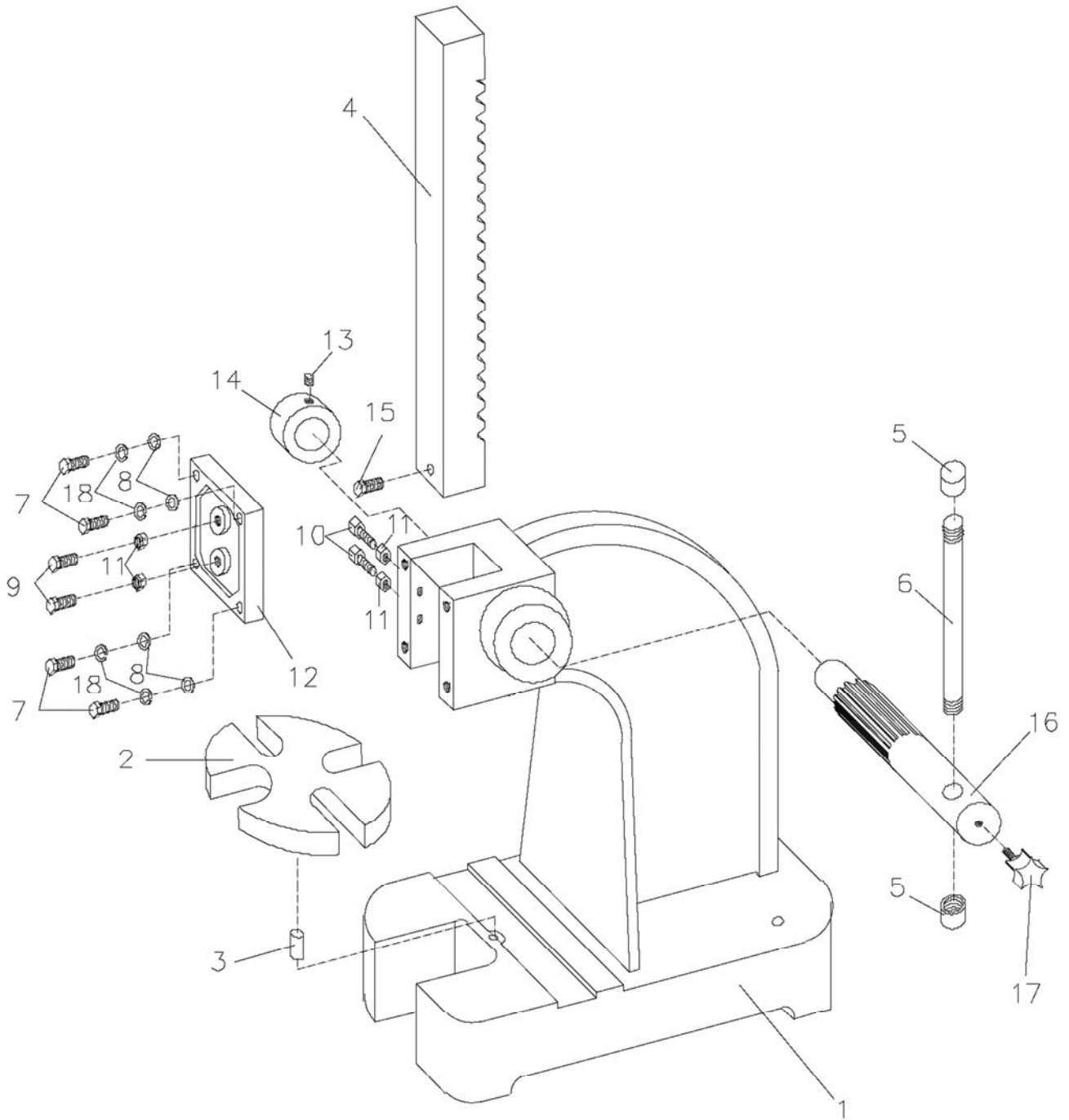
Model AP3-M – 3-ton Arbor Press

Index	Part No.	Description	Qty
1	AP3-01	Base	1
2	AP3-06	Anvil	1
3	AP2-16	Spring Pin 6x25	1
4	AP3-02	Ram	1
5	AP3-5-1	Cap	2
6	AP3-6-1	Handle	1
7	TS-1490051	Bolt, Hex M8x30	4
8	TS-1550061	Washer M8	4
9	TS-1490051	Bolt, Hex M8x30	2
10	TS-1490051	Bolt, Hex M8x30	2
11	TS-1540061	Nut, Hex M8	4
12	AP3-12	Plate	1
13	TS-1524011	SHSS M8x8	1
14	AP3-10	Pinion Retainer	1
15	TS-1490031	Bolt, Hex M8x20	1
16	AP3-03	Pinion	1
17	AP3-05	Knob	1
18	TS-2361081	Lock Washer M8	4
	AP3-19	ID Label (not shown)	1

Model AP5-M – 5-ton Arbor Press

Index	Part No.	Description	Qty
1	AP5-01	Base	1
2	AP5-06	Anvil	1
3	AP5-16	Spring Pin 6x24	1
4	AP5-02	Ram	1
5	AP5-5-1	Cap	2
6	AP5-6-1	Handle	1
7	TS-1491061	Bolt, Hex M10x40	4
8	TS-1550071	Washer M10	4
9	TS-1491061	Bolt, Hex M10x40	2
10	TS-2210501	Bolt, Hex M10x50	2
11	TS-1540071	Nut, Hex M10	4
12	AP5-12	Plate	1
13	TS-1524031	SHSS M8x12	1
14	AP5-10	Pinion Retainer	1
16	AP5-03	Pinion	1
18	TS-2361101	Lock Washer M10	4
	AP5-19	ID Label (not shown)	1

Exploded View



JET

WALTER MEIER (Manufacturing) Inc.
427 New Sanford Road
LaVergne, Tennessee 37086
Ph: 800-274-6848
www.waltermeier.com