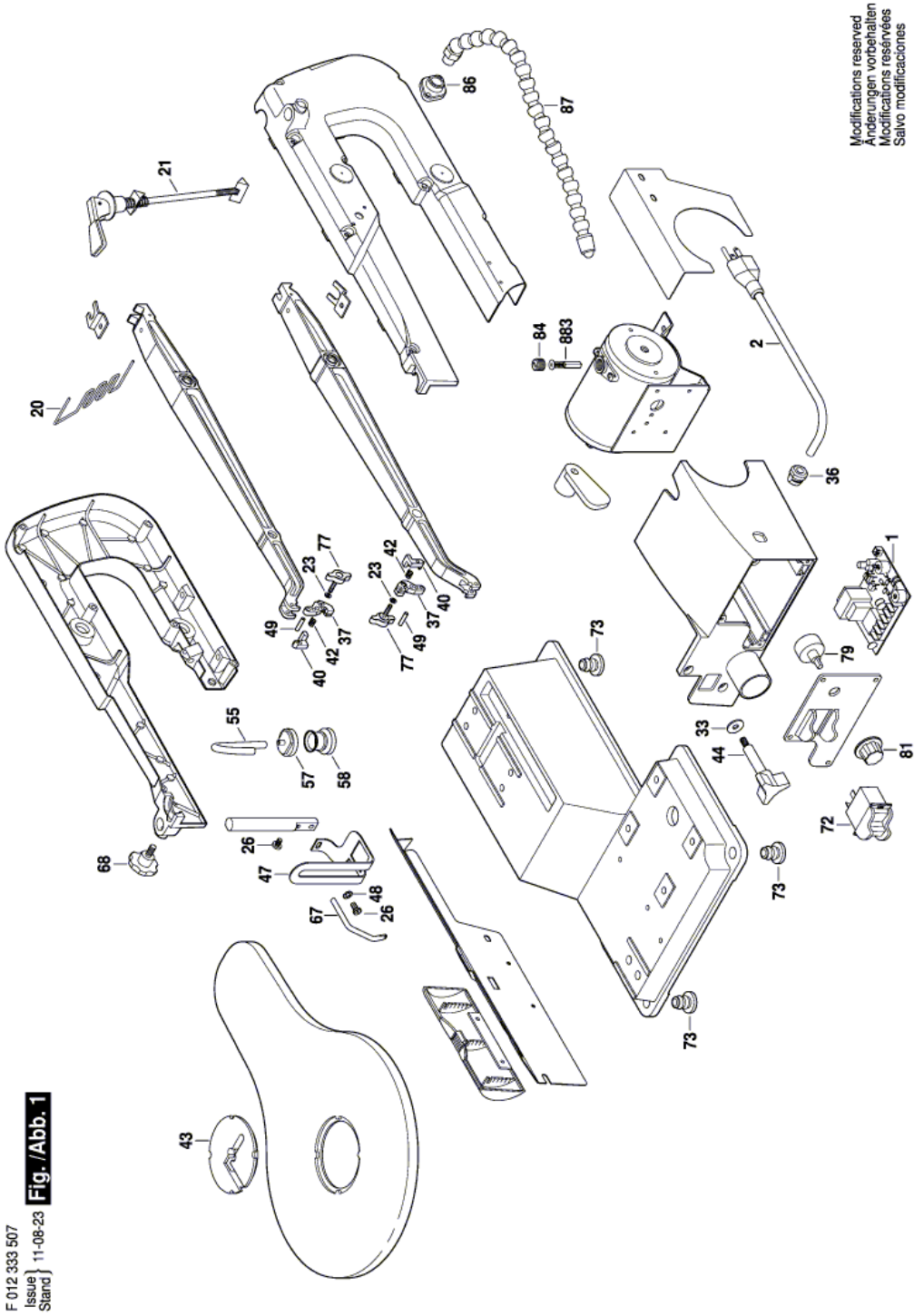


## Scroll Saw - F 012 333 507 - 3335

Item	Part Number	Description	Illustration	Price	Quantity	Price Group
1	2 610 958 783	Printed Circuit Board	1	-,-	1	-
2	2 610 958 767	Cord	1	-,-	1	-
20	2 610 958 768	Spring	1	-,-	1	-
21	2 610 958 769	Control Bolt	1	-,-	1	-
23	2 610 958 770	Spring Washer	1	-,-	2	-
26	2 610 958 771	Pan head screw	1	-,-	2	-
33	2 610 958 779	Plain Washer	1	-,-	1	-
36	2 610 958 772	Clamp	1	-,-	1	-
37	2 610 016 281	Blade Holder	1	-,-	2	-
40	2 610 016 282	Anti-Corrosion Chip	1	-,-	2	-
42	2 610 018 903	Spring	1	-,-	2	-
43	2 610 958 776	Mounting Insert	1	-,-	1	-
44	2 610 958 777	Knob	1	-,-	1	-
47	2 610 958 778	Supporting foot	1	-,-	1	-
48	2 610 958 794	Toothed lock washer	1	-,-	1	-
49	2 610 018 904	Pin	1	-,-	4	-
55	2 610 958 780	Pipe	1	-,-	1	-
57	2 610 958 781	Lock	1	-,-	1	-
58	2 610 958 782	Bellows	1	-,-	1	-
67	2 610 958 784	Tube	1	-,-	1	-
68	2 610 958 785	Knob	1	-,-	1	-
72	2 610 958 787	Switch	1	-,-	1	22
73	2 610 018 905	Rubber Plug	1	-,-	4	-
77	2 610 018 906	Clamping Lock	1	-,-	2	-
79	2 610 958 791	Controller	1	-,-	1	-
81	2 610 958 790	Knob	1	-,-	1	-
84	2 610 958 793	Cap	1	-,-	2	-
86	2 610 958 796	Base	1	-,-	1	-
87	2 610 958 797	Light Unit	1	-,-	1	26
883	2 610 958 798	Carbon-Brush Set	1	-,-	1	21

Illustration - Type E



Information subject to change without further notice.