

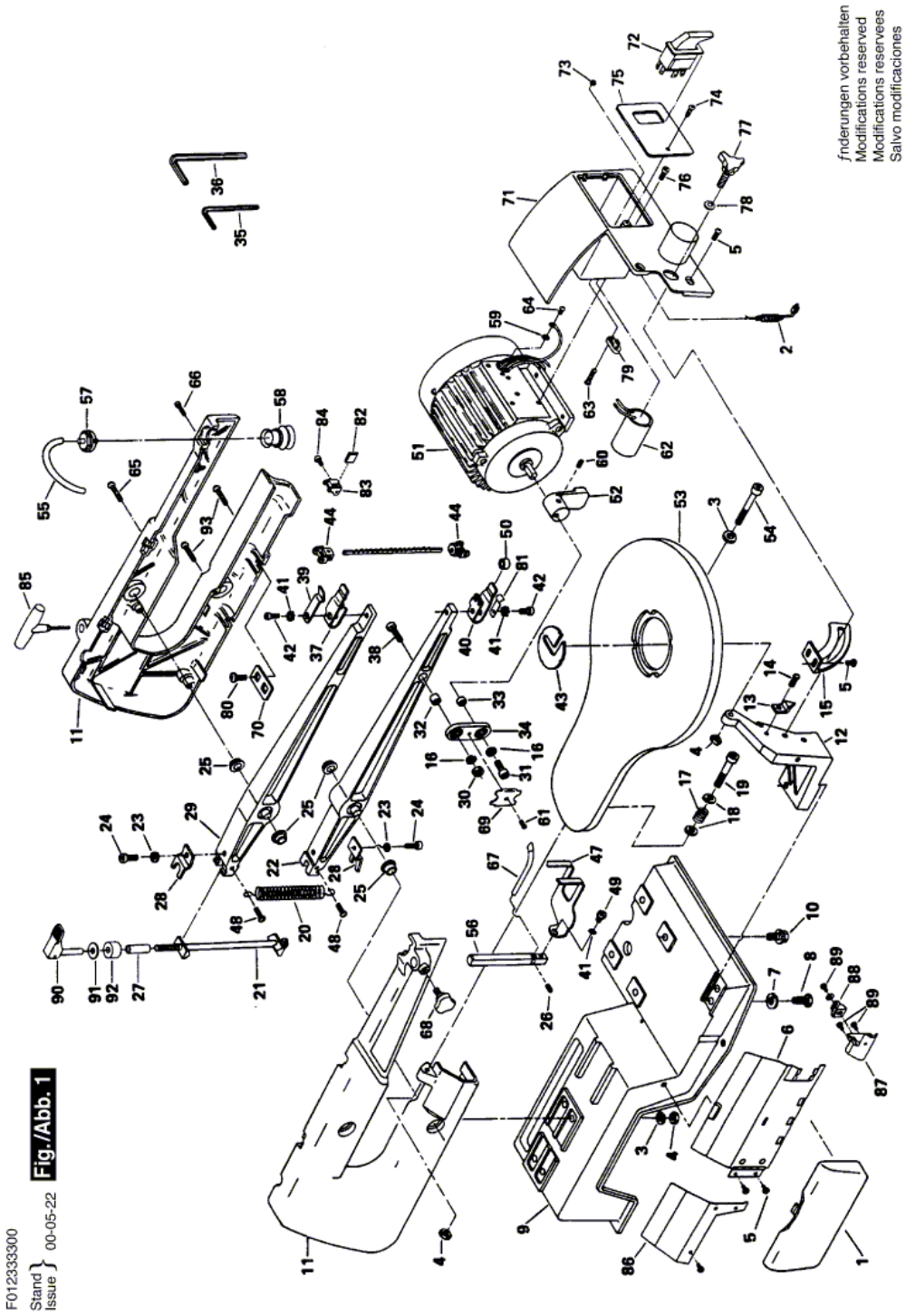
JIG SAW - F 012 333 300 - 3333 TYPE 1

Item	Part Number	Description	Illustration	Price	Quantity	Price Group
1	2 610 358 500	Cover	1	-,-	1	-
2	2 610 358 524	Power supply cord	1	-,-	1	-
3	2 610 009 730	Spring Washer	1	-,-	5	11
4	2 610 011 489	Nut	1	-,-	6	11
5	2 615 296 196	Screw	1	-,-	6	11
6	2 610 909 181	Cover	1	-,-	1	-
7	2 610 044 549	Washer	1	-,-	2	-
8	2 615 296 197	Hex Screw	1	-,-	2	11
9	2 610 909 502	Base	1	-,-	1	-
10	2 610 706 214	Screw	1	-,-	4	-
11	2 610 358 506	Housing Set	1	-,-	1	-
12	2 610 909 168	Holding Bracket	1	-,-	1	-
13	2 615 296 177	Parts Set	1	-,-	1	11
14	2 610 004 775	Cross Recessed-Head Screw	1	-,-	1	-
15	2 615 296 154	Support	1	-,-	1	16
16	2 610 009 709	Spring Washer	1	-,-	2	-
17	2 615 296 165	Spring	1	-,-	1	11
18	2 610 067 034	Plain Washer	1	-,-	2	-
19	2 615 296 198	Screw	1	-,-	1	11
20	2 615 296 749	Spring	1	-,-	1	13
21	2 610 909 162	Guiding bolt	1	-,-	1	-
22	2 615 296 201	Rotor	1	-,-	1	32
23	2 610 001 734	Spring Washer	1	-,-	2	-
24	2 610 306 064	Hex Socket Head Cap Screw	1	-,-	2	-
25	2 615 296 159	Bearing	1	-,-	4	13
26	2 615 296 243	Screw	1	-,-	1	11
27	2 610 909 176	Spacer Bushing	1	-,-	1	-
28	2 615 296 164	Spring retaining ring	1	-,-	2	12
29	2 615 296 213	Eccentric	1	-,-	1	30
30	2 610 001 309	Nut	1	-,-	1	11
31	2 610 306 127	Hex Socket Head Cap Screw	1	-,-	1	-
32	2 615 296 166	Spacer Bushing	1	-,-	1	11
33	2 615 296 167	Washer	1	-,-	1	11

Item	Part Number	Description	Illustration	Price	Quantity	Price Group
34	2 615 296 203	Linkage	1	-,-	1	26
35	2 615 296 245	Hexagon Socket Wrench 1,5 MM	1	-,-	1	13
36	2 610 909 158	Offset Screwdriver 3 MM	1	-,-	1	-
37	2 610 909 154	Holder	1	-,-	1	-
38	2 610 313 236	Screw	1	-,-	1	-
39	2 610 909 155	Plate	1	-,-	1	-
40	2 615 296 186	Holder	1	-,-	1	16
41	2 610 021 599	Locking Washer	1	-,-	3	-
42	2 615 296 205	Trunnion	1	-,-	2	-
43	2 615 296 746	Insert	1	-,-	1	14
44	2 615 296 206	Blade Holder	1	-,-	2	-
47	2 610 909 189	Pivoting Blade Guard	1	-,-	1	-
48	2 610 909 504	Cross Recessed-Head Screw	1	-,-	1	-
49	2 610 910 042	Hex Socket Head Cap Screw	1	-,-	1	-
50	2 615 296 175	Collar	1	-,-	2	11
51	2 610 358 512	Motor	1	-,-	1	-
52	2 615 296 210	Eccentric	1	-,-	1	21
53	2 610 358 503	Table top	1	-,-	1	-
54	2 610 029 359	Parts Set	1	-,-	1	-
55	2 615 296 162	Pipe	1	-,-	1	11
56	2 610 909 190	Support	1	-,-	1	-
57	2 615 296 745	Bellows	N/A	-,-	1	12
58	2 615 296 744	Bellows	1	-,-	1	21
59	2 615 296 247	Washer	1	-,-	1	11
60	2 610 992 350	Countersunk-Head Screw	1	-,-	1	-
61	2 610 351 129	Screw	1	-,-	1	-
62	2 610 358 513	Condenser	1	-,-	1	-
63	2 610 358 519	Screw	1	-,-	2	10
64	2 615 296 217	Screw Cap	1	-,-	1	11
65	2 615 296 195	Screw	1	-,-	5	11
66	2 610 358 517	Screw	1	-,-	1	-
67	2 610 358 509	Pipe	1	-,-	1	-
68	2 615 296 242	Knob	1	-,-	1	12
69	2 610 358 522	End stop	1	-,-	1	-
70	2 615 296 179	Set Of Plates	1	-,-	2	15
71	2 610 358 514	Switch Box	1	-,-	1	-
72	2 610 358 111	On-Off Switch	1	-,-	1	30
73	2 610 358 521	Hex Nut	1	-,-	2	11
74	2 615 296 774	Screw	1	-,-	1	10
75	2 610 358 515	Switch Cover	1	-,-	1	-
76	2 610 358 520	Collar bolt	1	-,-	4	-
77	2 615 296 172	Knob	1	-,-	1	13
78	2 610 026 111	Plain Washer	1	-,-	1	-
79	2 615 296 773	Clamp	1	-,-	1	11
80	2 610 304 837	Pan head screw	1	-,-	4	-
81	2 615 296 508	Plate	1	-,-	1	13
82	2 610 910 027	Square Nut	1	-,-	1	-
83	2 610 910 021	Tool Guide	1	-,-	1	31
84	2 610 910 042	Hex Socket Head Cap Screw	1	-,-	1	-
85	2 610 909 159	Clamp Screw 3,5 MM	1	-,-	1	-
86	2 610 909 172	Cover	1	-,-	1	-
87	2 610 909 165	Retaining Bracket	1	-,-	1	-
88	2 610 909 166	Spring Clip	1	-,-	1	-

Item	Part Number	Description	Illustration	Price	Quantity	Price Group
89	2 610 358 171	Cross Recessed-Head Screw	1	-,-	3	-
90	2 610 909 184	Tensioning Lever	1	-,-	1	-
91	2 610 909 178	Plain Washer	1	-,-	1	10
92	2 610 909 182	Spacer	1	-,-	1	-
93	2 610 909 503	Screw	1	-,-	1	-

Illustration - Type E



F012333300
Stand }
Issue } 00-05-22
Fig./Abb. 1

Information subject to change without further notice.