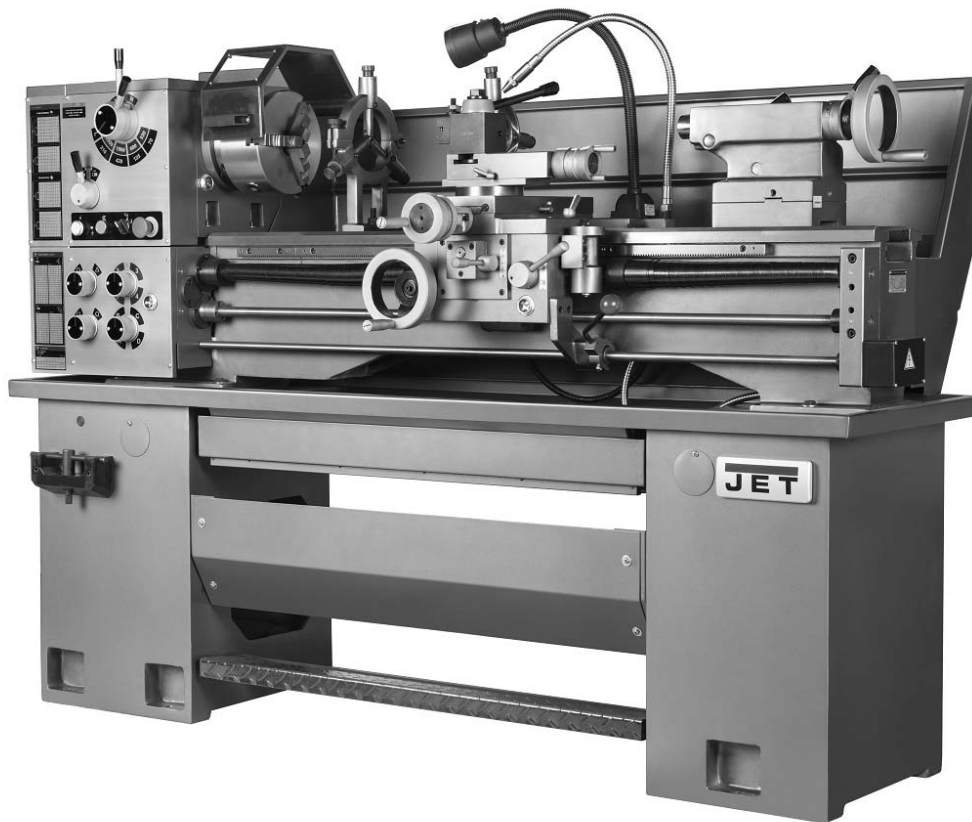


Operating Instructions and Parts Manual

Geared Head Bench Lathe 14x40 inch

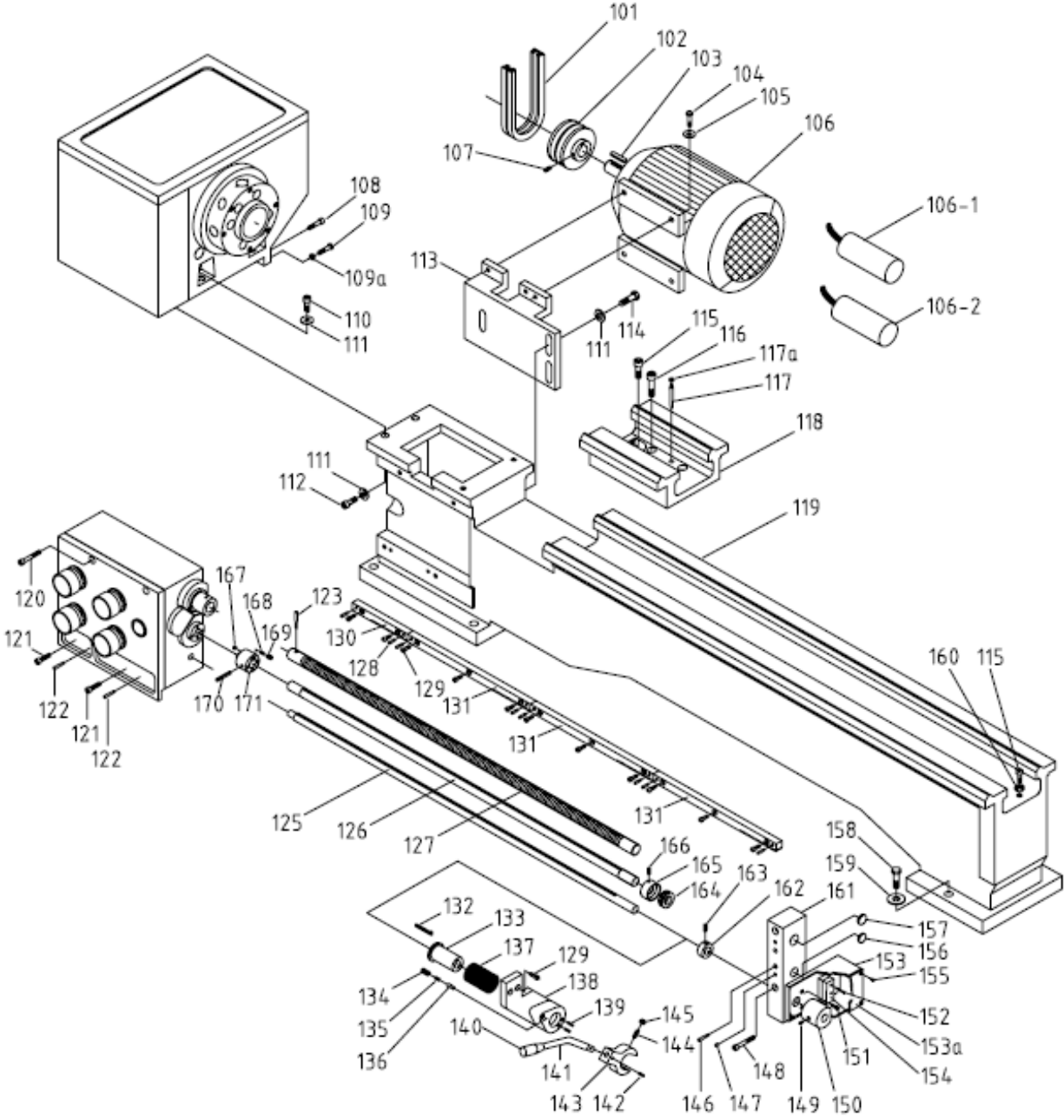
Model GH-1440B



JET
427 New Sanford Road
LaVergne, Tennessee 37086
Ph.: 800-274-6848
www.jettools.com

Part No. M-331440
Edition 1 05/2017
Copyright © 2017 JET

13.1.1 Bed Assembly – Exploded View

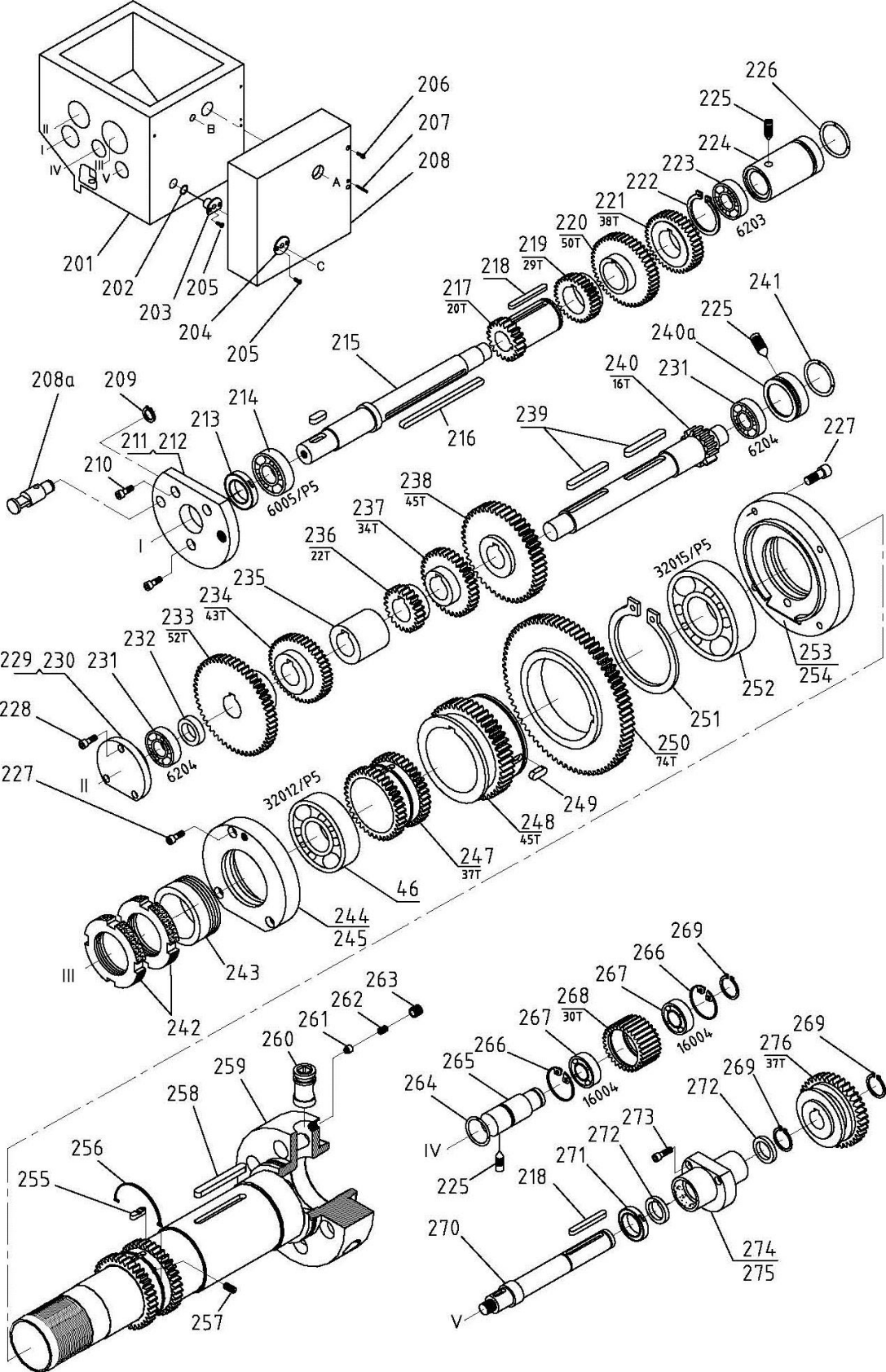


13.1.2 Bed Assembly – Parts List

| Index No. | Part No. | Description | Size | Qty |
|-----------|----------------|----------------------------|---------------------|-----|
| 101 | VB-A86 | V-Belt | A86 | 2 |
| 102 | D330A-11106-2 | Pulley | 60Hz | 1 |
| 103 | GB1096 | Key | 8x35mm | 1 |
| 104 | TS-1490041 | Hex Cap Screw | M8x25 | 4 |
| 105 | TS-1550061 | Flat Washer | M8 | 4 |
| 106 | GH1440B-106 | Motor | 1.8KW/220V/60HZ/1PH | 1 |
| 106-1 | GH1440B-106-SC | Start Capacitor | 300MFD 350VAC | 1 |
| 106-2 | GH1440B-106-RC | Run Capacitor | 40mF 350VAC | 1 |
| 107 | TS-2276081 | Socket Set Screw CP | M6x8 | 1 |
| 108 | TS-1504061 | Hex Socket Hd Cap Screw | M8x30 | 2 |
| 109 | TS-1490081 | Hex Cap Screw | M8x45 | 2 |
| 109a | TS-1540061 | Hex Nut | M8 | 2 |
| 110 | TS-1505051 | Hex Socket Hd Cap Screw | M10x35 | 2 |
| 111 | TS-1550071 | Flat Washer | M10 | 7 |
| 112 | TS-1491061 | Hex Cap Screw | M10x40 | 2 |
| 113 | D330B-11107G | Motor Mount Plate | | 1 |
| 114 | TS-1491041 | Hex Cap Screw | M10x30 | 3 |
| 115 | TS-1505051 | Hex Socket Hd Cap Screw | M10x35 | 2 |
| 116 | TS-1506051 | Hex Socket Hd Cap Screw | M12x40 | 4 |
| 117 | GH1440B-117 | Taper Pin, Ext Thread | 8x70mm | 2 |
| 117a | GB6170 | Hex Nut | M8 | 2 |
| 118 | D330B-11103G | Gap Bridge | | 1 |
| 119 | D330B-11101G | Bed | | 1 |
| 120 | TS-1504101 | Hex Socket Hd Cap Screw | M8x50 | 2 |
| 121 | TS-1504061 | Hex Socket Hd Cap Screw | M8x30 | 2 |
| 122 | ZX-C34 | Taper pin | 6x30mm | 2 |
| 123 | GH1440B-123 | Taper pin, Int Thread | 4x36mm | 1 |
| 125 | D330B-11203G | Control Rod | | 1 |
| 126 | D330B-11202G | Feed Rod | | 1 |
| 127 | D330B-11201G | Leadscrew | | 1 |
| 128 | ZX-S13 | Taper pin | 5x20mm | 8 |
| 129 | TS-1503041 | Hex Socket Hd Cap Screw | M6x16 | 13 |
| 130 | D330B-11205G | Short rack | | 1 |
| 131 | D330B-11204G | Long rack | | 3 |
| 132 | F014000 | Key, Dbl Rd Hd | 4x50mm | 1 |
| 133 | D330B-11217G | Collar | | 1 |
| 134 | F010439 | Socket Set Screw FP | M8x8 | 1 |
| 135 | GH1440B-135 | Spring | 6x1x15mm | 1 |
| 136 | D330B-11105G-1 | Pin | | 1 |
| 137 | GH1440B-137 | Spring | 32x3.6x50mm | 1 |
| 138 | D330B-11105G | Bracket | | 1 |
| 139 | 5510484 | Roll Pin | 5x20 | 2 |
| 140 | GH1440B-140 | Knob | M10x50 | 1 |
| 141 | D330B-11206G | Lever | | 1 |
| 142 | 5508804 | Roll Pin | 4x20mm | 1 |
| 143 | D330B-11104G | Fork | | 1 |
| 144 | TS-1523051 | Socket Set Screw CP | M6x16 | 2 |
| 145 | TS-1540041 | Hex Nut | M6 | 2 |
| 146 | GH1440B-146 | Taper Pin, Int Thread | 6x45mm | 2 |
| 147 | BDB919-021 | Ball Oiler | 6mm | 2 |
| 148 | TS-1504121 | Hex Socket Hd Cap Screw | M8x60 | 2 |
| 149 | TS-1524031 | Socket Set Screw CP | M8x12 | 1 |
| 150 | D330C-3012C | Cam | | 1 |
| 151 | F001217 | Phillips Pan Hd Mach Screw | M8x12 | 2 |
| 152 | F001218 | Phillips Pan Hd Mach Screw | M4x42 | 2 |
| 153 | D330C-11301C | Switch Box | | 1 |
| 153a | D330C-11302C | Switch Box Cover | | 1 |
| 154 | GH1440B-154 | Switch | LXW5-11D1 | 2 |
| 155 | TS-1532032 | Phillips Pan Hd Mach Screw | M4x10 | 4 |
| 156 | D330B-11210G-1 | Cover | 19mm | 1 |

| Index No. | Part No. | Description | Size | Qty |
|-----------|----------------|---------------------|----------|-----|
| 157 | D330B-11210G-2 | Cover | 22mm | 1 |
| 158 | TS-2211451 | Hex Cap Screw | M12x45 | 6 |
| 159 | TS-2360121 | Flat Washer | M12 | 6 |
| 160 | TS-1540071 | Hex Nut | M10 | 1 |
| 161 | D330B-11102G | Shaft End Bracket | | 1 |
| 162 | D330C-11209C | Collar | | 1 |
| 163 | TS-1523031 | Socket Set Screw CP | M6x10 | 1 |
| 164 | BB-51104 | Thrust Bearing | 51104 | 1 |
| 165 | D330B-CS004 | Bearing Cover | | 1 |
| 166 | TS-1523031 | Socket Set Screw CP | M6x10 | 1 |
| 167 | SB-6MM | Steel Ball | 6mm | 4 |
| 168 | GH1440B-168 | Spring | 6x1x25mm | 4 |
| 169 | TS-1524011 | Socket Set Screw FP | M8x8 | 4 |
| 170 | 811404 | Roll Pin | 4x40mm | 1 |
| 171 | D330B-36101A-1 | Clutch | | 1 |

13.2.1 Headstock Assembly – Exploded View

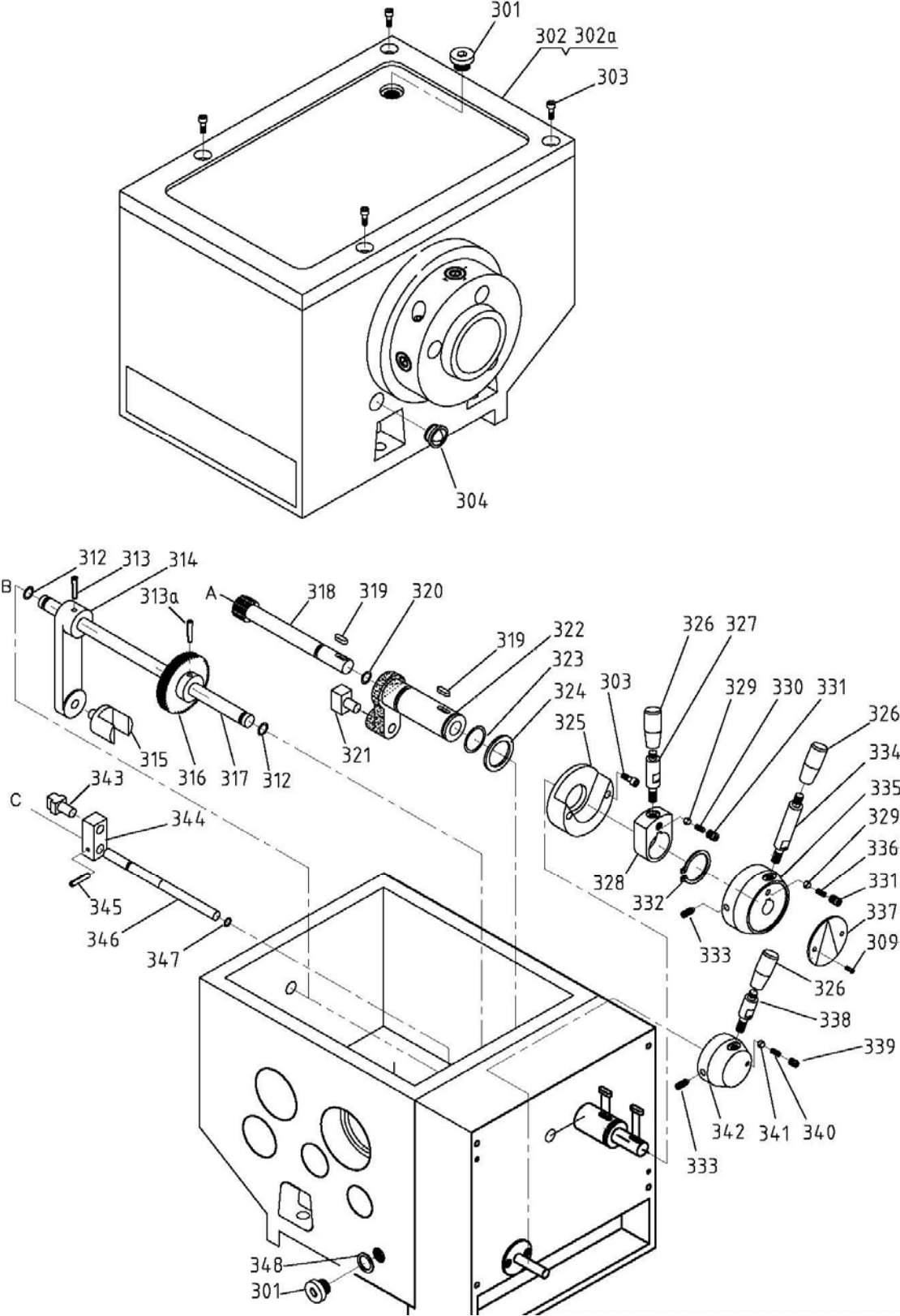


13.2.2 Headstock Assembly – Parts List

| Index No. | Part No. | Description | Size | Qty |
|-----------|----------------|-------------------------|-----------|-----|
| 201 | D360D-21107 | Headstock | | 1 |
| 202 | GH1440B-168 | Oil seal | 20x2.65mm | 1 |
| 203 | D330A-21246 | Sleeve | | 1 |
| 204 | D330A-21235 | Sleeve | | 1 |
| 205 | F010946 | Flat Hd Soc Cap Screw | M4x8 | 4 |
| 206 | TS-1503091 | Hex Socket Hd Cap Screw | M6x40 | 4 |
| 207 | ZX-S41 | Roll Pin | 5x40mm | 2 |
| 208 | D330B-21113G-1 | Case frame | | 1 |
| 208a | D330A-11230 | Rocker Shaft | | 1 |
| 209 | F006041 | C-Retaining Ring Ext. | 12mm | 1 |
| 210 | TS-1503051 | Hex Socket Hd Cap Screw | M6x20 | 3 |
| 211 | D330A-21124 | Pulley Shaft Cover | | 1 |
| 212 | D330A-21601 | Gasket | | 1 |
| 213 | GH1440B-213 | Oil seal | 25x40x7mm | 1 |
| 214 | BB-6005 | Ball Bearing | 6005 | 1 |
| 215 | D330A-21215 | Shaft | | 1 |
| 216 | GHB1340-109 | Key, Dbl Rd Hd | A6x120mm | 1 |
| 217 | D330D-21217 | Gear | 20T | 1 |
| 218 | GHB1340-107 | Key, Dbl Rd Hd | A6x50mm | 2 |
| 219 | D330A-21218 | Gear | 29T | 1 |
| 220 | D330D-21219 | Gear | 50T | 1 |
| 221 | D330A-21220 | Gear | 38T | 1 |
| 222 | F006054 | C-Retaining Ring Ext. | 35mm | 1 |
| 223 | BB-6203 | Bearing | 6203 | 1 |
| 224 | D330A-21106 | Front Cylinder | | 1 |
| 225 | TS-1524041 | Socket Set Screw | M8x16 | 3 |
| 226 | GH1440B-226 | Oil Seal | 40x3.1mm | 1 |
| 227 | TS-1503061 | Hex Socket Hd Cap Screw | M6x25 | 7 |
| 228 | TS-1501041 | Hex Socket Hd Cap Screw | M4x12 | 3 |
| 229 | D330A-21104 | Cover | | 1 |
| 230 | D330A-21602 | Gasket | | 1 |
| 231 | BB-6204 | Bearing | 6204 | 2 |
| 232 | D330A-21211 | Washer | | 1 |
| 233 | D330A-21222 | Gear | 52T | 1 |
| 234 | D330A-21209 | Gear | 43T | 1 |
| 235 | D330D-21221 | Spacer | | 1 |
| 236 | D330D-21210 | Gear | 22T | 1 |
| 237 | D330D-21223 | Gear | 34T | 1 |
| 238 | D330D-21224 | Gear | 45T | 1 |
| 239 | 5300871 | Key, Dbl Rd Hd | A8x55mm | 2 |
| 240 | D330A-21212 | Shaft | 16T | 1 |
| 240a | D330A-21215 | Front Plug | | 1 |
| 241 | GH1440B-241 | Oil seal | 47x3.1mm | 1 |
| 242 | D330D-21208 | Nut | | 2 |
| 243 | D330D-21102 | Collar | | 1 |
| 244 | D330D-21103 | End cover | | 1 |
| 245 | D330D-21603 | Gasket | | 1 |
| 246 | BB-32012 | Bearing | 32012 | 1 |
| 247 | D330D-21207 | Gear | 37T/37T | 1 |
| 248 | D330D-21227 | Gear | 45T | 1 |
| 249 | GHB1340-110 | Key, Dbl Rd Hd | 8x18mm | 1 |
| 250 | D330D-21226 | Gear | 74T | 1 |
| 251 | F006063 | C-Retaining Ring, Ext. | 90mm | 1 |
| 252 | BB-32015 | Bearing | 32015 | 1 |
| 253 | D330D-21108 | Front Cover | | 1 |
| 254 | D330D-21605 | Gasket | | 1 |
| 255 | D330D-21251 | Key, Dbl Rd Hd | | 1 |
| 256 | D330D-21252 | Circlip | | 1 |
| 257 | TS-2276081 | Socket Set Screw | M6x8 | 1 |
| 258 | GHB1340-155 | Key, Dbl Rd Hd | A8x85 | 1 |

| Index No. | Part No. | Description | Size | Qty |
|-----------|--------------|-------------------------|-----------|-----|
| 259 | D330D-21228 | Spindle | | 1 |
| 260 | D330D-21231 | Cam | | 6 |
| 261 | D330D-21253 | Cam Pin | | 6 |
| 262 | D330D-21254 | Spring | | 6 |
| 263 | D330D-21250 | Screw | | 6 |
| 264 | GH1440B-264 | Oil Seal | 25x2.4mm | 1 |
| 265 | D330A-21238 | Shaft | | 1 |
| 266 | F006077 | C-Retaining Ring, Int | 42mm | 2 |
| 267 | BB-16004 | Bearing | 16004 | 2 |
| 268 | D330A-21237 | Gear | 30T | 1 |
| 269 | F006047 | C-Retaining Ring, Ext | 20mm | 3 |
| 270 | D330B-21239G | Shaft | | 1 |
| 271 | GH1440B-271 | Oil Seal | 24x32x5mm | 1 |
| 272 | D330A-21202 | Washer | | 2 |
| 273 | TS-1502041 | Hex Socket Hd Cap Screw | M5x16 | 3 |
| 274 | D330A-21101 | Cover | | 1 |
| 275 | D330A-21604 | Gasket | | 1 |
| 276 | D330A-21201 | Gear | 37T | 1 |

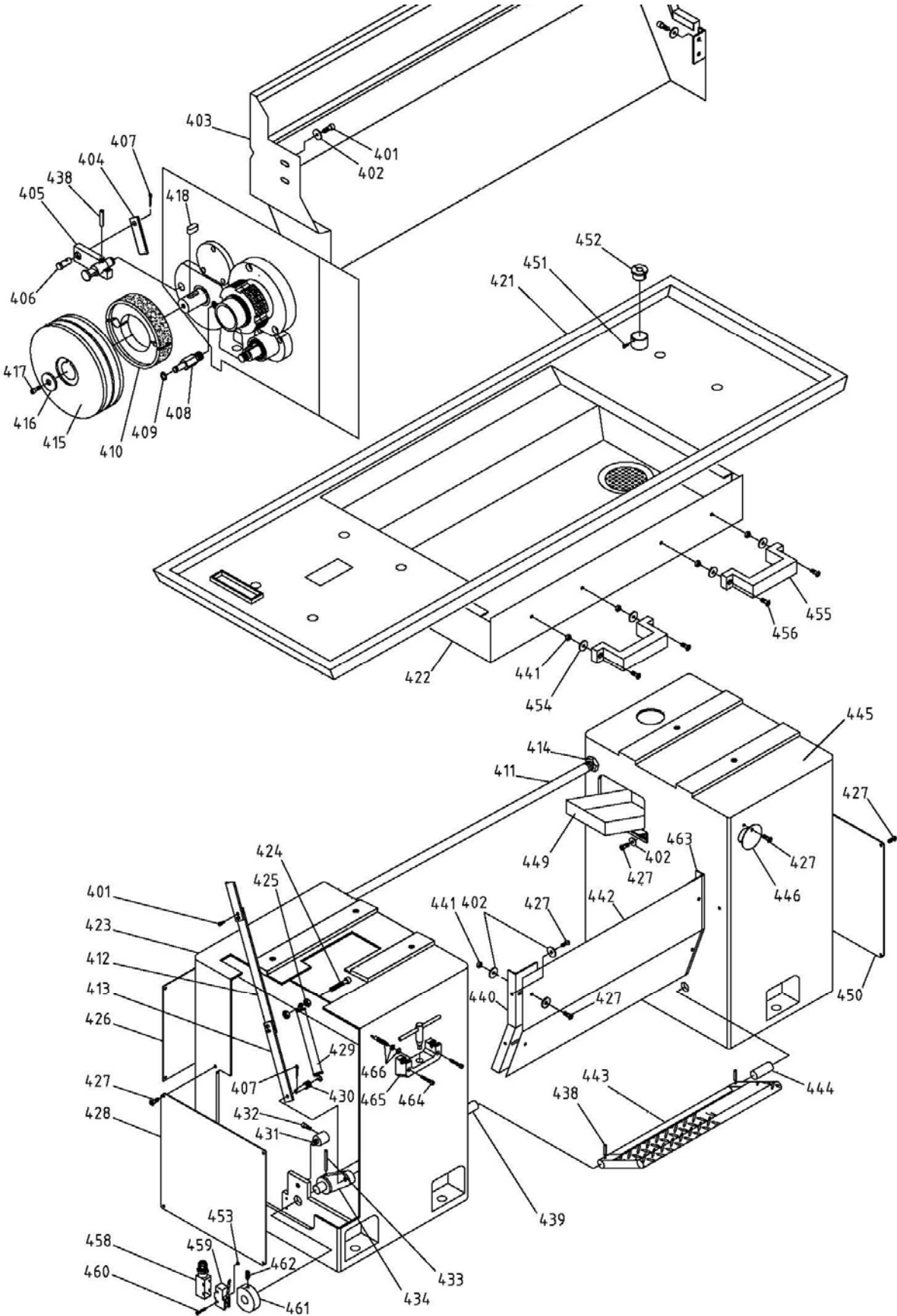
13.3.1 Headstock Controls – Exploded View



13.3.2 Headstock Controls – Parts List

| Index No. | Part No. | Description | Size | Qty |
|-----------|---------------|----------------------|----------|-----|
| 301 | GH1440B-301 | Hex Socket Hd Plug | M16×1.5 | 2 |
| 302 | D330B-21112G | Cover Board | | 1 |
| 302a | D330A-21606 | Gasket | | 1 |
| 303 | TS-1503061 | Hex Socket Cap Screw | M6×25 | 4 |
| 304 | GH1440B-304 | Oil Sight Glass | M27X1.5 | 1 |
| 309 | TS-2171012 | Pan Hd Machine Screw | M4X6 | 2 |
| 312 | GH1440B-312 | Oil seal | 14×2.4mm | 2 |
| 313 | ZX-Q66 | Taper Pin | 5×35mm | 1 |
| 313a | ZX-B34 | Taper Pin | 5×30mm | 1 |
| 314 | D330A-21109 | Rocker | | 1 |
| 315 | D330A-21233 | Shift Fork | | 1 |
| 316 | D330A-21234 | Gear | 51T | 1 |
| 317 | D330A-21232 | Shaft | | 1 |
| 318 | D330B-21241G | Geared Shaft | 17T | 1 |
| 319 | 5217791 | Key, Dbl Rd Hd | 5×14mm | 2 |
| 320 | GH1440B-312 | Oil Seal | 16×2.4mm | 1 |
| 321 | D330A-21403 | Shift Fork | | 1 |
| 322 | D330D-21121 | Shift Collar | | 1 |
| 323 | GH1440B-323 | Oil Seal | 30×3.1mm | 1 |
| 324 | D330A-21240 | Washer | | 1 |
| 325 | D330A-21118 | Base | | 1 |
| 326 | GH1440B-326 | Handle Grip | M8×40 | 3 |
| 327 | D330A-21248-1 | Lever | | 1 |
| 328 | D330A-21119 | Lever Base | | 1 |
| 329 | SB-6MM | Steel Ball | 6mm | 2 |
| 330 | D330A-21257 | Spring | 6×1×13mm | 1 |
| 331 | F010439 | Socket Set Screw FP | M8×8 | 2 |
| 332 | F006052 | C-Retaining Ring Ext | 30mm | 1 |
| 333 | TS-1523051 | Socket Set Screw | M6×16 | 2 |
| 334 | D330A-21249 | Handle Shaft | | 1 |
| 335 | D330A-21117 | Handle Hub | | 1 |
| 336 | D330A-21256 | Spring | 6×1×26mm | 1 |
| 337 | GH1440B-337 | Indicator Plate | | 1 |
| 338 | D330A-21248 | Handle Shaft | | 1 |
| 339 | F010444 | Socket Set Screw FP | M6×8 | 1 |
| 340 | D330A-21258 | Spring | 5X0.8X25 | 1 |
| 341 | SB-5MM | Steel ball | 5mm | 1 |
| 342 | D330A-21120 | Handle Hub | | 1 |
| 343 | D330A-21402 | Shift fork | | 1 |
| 344 | D330A-21111 | Rocker | | 1 |
| 345 | JWBS15-1124 | Roll Pin | 4×18mm | 1 |
| 346 | D330A-21236 | Shaft | | 1 |
| 347 | GH1440B-347 | Oil Seal | 10×1.9mm | 1 |
| 348 | GH1440B-348 | Copper Washer | 16mm | 1 |

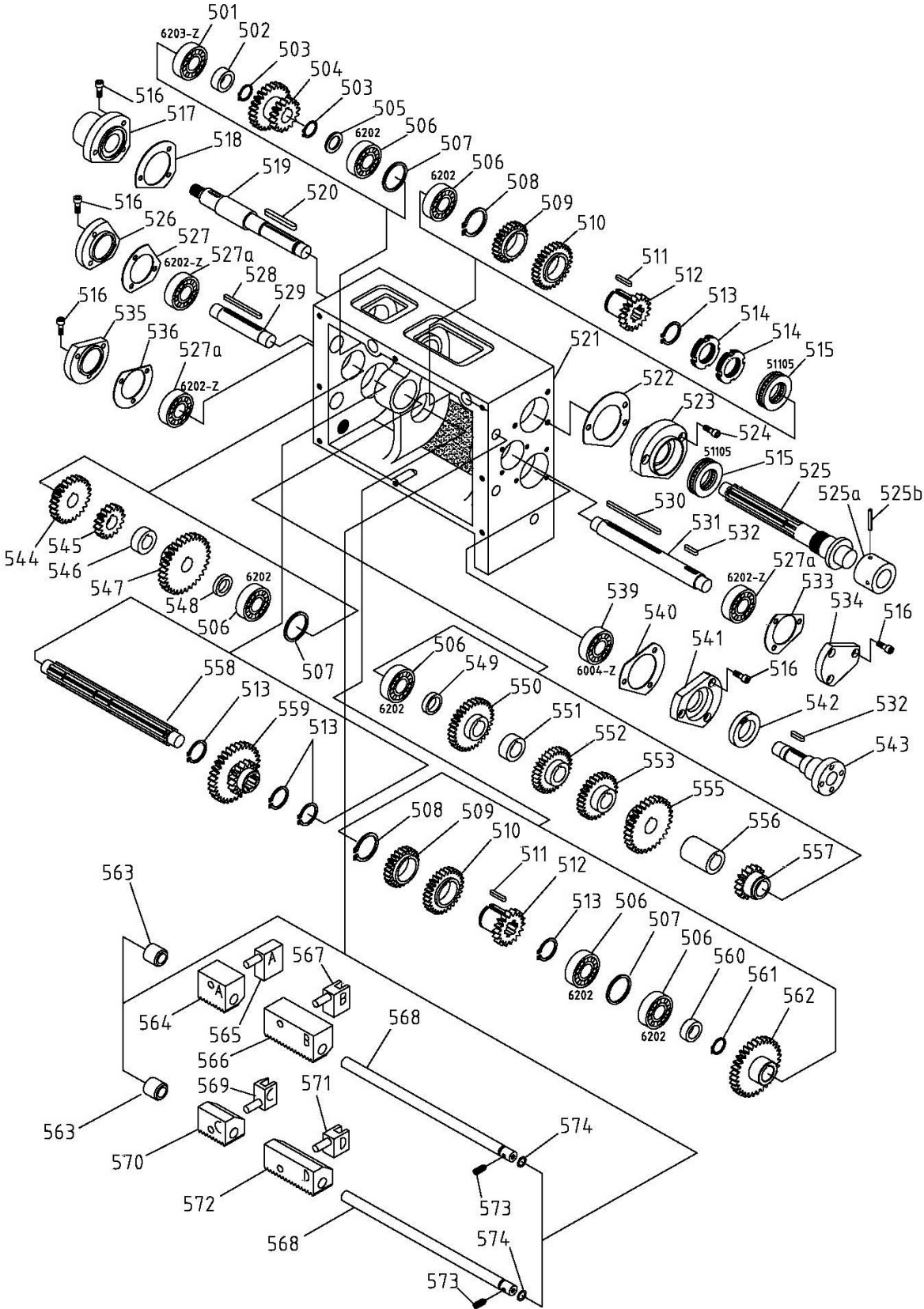
13.4.1 Stand and Brake Assembly – Exploded View



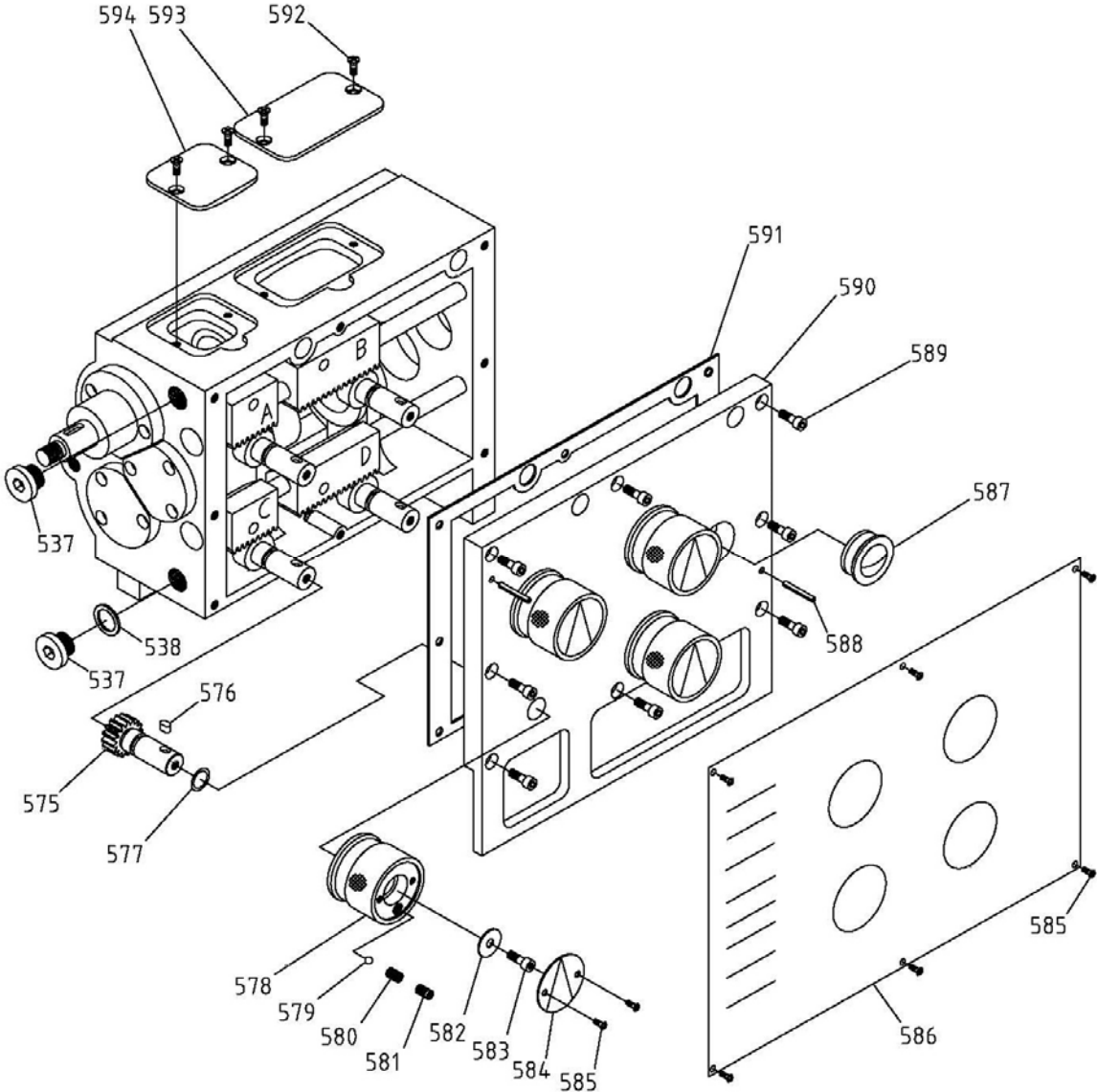
13.4.2 Stand and Brake Assembly – Parts List

| Index No. | Part No. | Description | Size | Qty |
|-----------|---------------|------------------------|---------------------|-----|
| 401 | TS-1503021 | Hex Socket Cap Screw | M6×10 | 8 |
| 402 | TS-1550041 | Flat Washer | 6mm | 18 |
| 403 | D330B-14205 | Splash Guard | | 1 |
| 404 | D330B-14214-1 | Brake Linkage/Upper | | 1 |
| 405 | D330B-14218 | Rocker | | 1 |
| 406 | D330A-11239 | Clevis Pin | | 1 |
| 407 | P-25 | Cotter Pin | 3X16mm | 2 |
| 408 | D330A-11232 | Rocker Pin | | 1 |
| 409 | F006039 | C-Retaining Ring, Ext | 8mm | 1 |
| 410 | GH1440B-410 | Pulley Brake Assembly | | 1 |
| 411 | GH1440B-411 | Steel Tube | | 1 |
| 412 | D330B-14214-2 | Brake Linkage/Middle | | 1 |
| 413 | D330B-14214-3 | Brake Linkage/Lower | | 1 |
| 414 | TS-154010 | Hex Nut | M16X1.5 | 1 |
| 415 | D330A-21105 | Pulley | | 1 |
| 416 | TS-1540061 | Flat Washer | 8mm | 1 |
| 417 | TS-1504031 | Hex Socket Cap Screw | M8×16 | 1 |
| 418 | AK052 | Key, Dbl Rd Hd | 8×20mm | 1 |
| 421 | D330D-14203B | Chip Pan | | 1 |
| 422 | D330D-14204B | Removable Chip Tray | | 1 |
| 423 | D330D-14201B | Left Stand | | 1 |
| 424 | TS-1505041 | Hex Socket Cap Screw | M10×30 | 1 |
| 425 | TS-1540071 | Hex Nut | M10 | 2 |
| 426 | D330D-14210B | Left Stand Rear Cover | | 1 |
| 427 | TS-1534032 | Pan Head Screw | M6X10 | 26 |
| 428 | D330D-14209B | Left Stand Side Cover | | 1 |
| 429 | D330A-11237 | Extension Spring | | 1 |
| 430 | D330A-11236 | Pin | | 1 |
| 431 | D330A-11242 | Shaft | | 1 |
| 432 | TS-1503091 | Hex Socket Cap Screw | M6×40 | 1 |
| 433 | ZX-S41 | Roll Pin | 5×40mm | 1 |
| 434 | D330A-11235 | Rocker | | 1 |
| 438 | 5F-E208 | Roll Pin | 5×28mm | 3 |
| 439 | D330B-14215 | Shaft | | 1 |
| 440 | D330B-14206 | Left Bracket | | 1 |
| 441 | TS-2311061 | Hex Nut | M6 | 8 |
| 442 | D330A-14207-1 | Stand Plate | | 1 |
| 443 | D330A-14212-1 | Brake Pedal | | 1 |
| 444 | D330B-14216 | Shaft | | 1 |
| 445 | D330D-14202B | Right Stand | | 1 |
| 446 | D330D-14208B | Cover | | 4 |
| 449 | D330D-14213B | Coolant Chute | | 1 |
| 450 | D330D-14211B | Right Stand Side Cover | | 1 |
| 451 | TS-1501011 | Hex Socket Cap Screw | M4×6 | 1 |
| 452 | D330A-92206 | Coolant Hose Collar | | 1 |
| 453 | TS-1540021 | Hex Nut | M4 | 1 |
| 454 | TS-1550041 | Flat Washer | 6mm | 4 |
| 455 | GH1440B-455 | Handle | | 2 |
| 456 | TS-1534042 | Pan Head Screw | M6X12 | 4 |
| 458 | GH1440B-458 | Limit Switch Cover | | 1 |
| 459 | GH1440B-459 | Limit Switch | YBLXW-5/11N1 | 1 |
| 460 | PS1652T-105 | Pan Head Screw | M4X40 | 2 |
| 461 | D330DV-11210 | Collar | | 1 |
| 462 | TS-1523041 | Socket Set Screw | M6X12 | 1 |
| 463 | D330B-14206-1 | Right Bracket | | 1 |
| 464 | TS-1504101 | Hex Socket Cap Screw | M8X50 | 2 |
| 465 | GH1440B-465 | Chuck Wrench Bracket | | 1 |
| 466 | GH1440B-466 | Proximity Switch | LJ12A3-4-J/ED/AC24V | 1 |

13.5.1 Gear Box Assembly – Exploded View I



13.5.2 Gear Box Assembly – Exploded View II

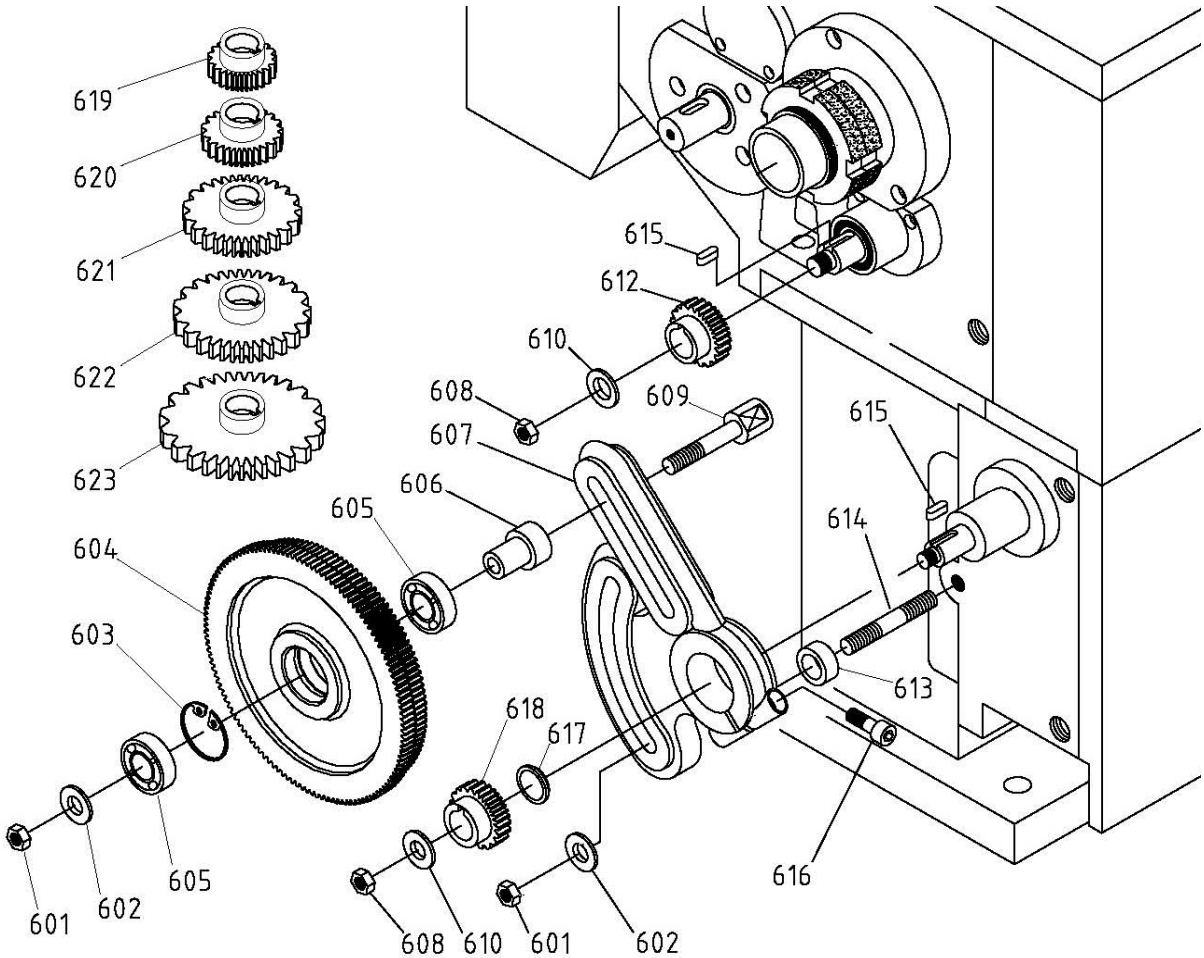


13.5.3 Gear Box Assembly – Parts List

| Index No. | Part No. | Description | Size | Qty |
|-----------|---------------|-----------------------|---------|-----|
| 501 | BB-6203 | Bearing | 6203 | 1 |
| 502 | D330B-31105 | Collar | | 1 |
| 503 | F006044 | C-Retaining Ring, Ext | 16mm | 2 |
| 504 | D330B-31201 | Gear | 25T/16T | 1 |
| 505 | D330B-31106 | Washer | | 1 |
| 506 | BB-6202 | Bearing | 6202 | 6 |
| 507 | D330B-31107 | Washer | | 3 |
| 508 | F006051 | C-Retaining Ring, Ext | 28 | 2 |
| 509 | D330B-34201-3 | Gear | 24T | 2 |
| 510 | D330B-34201-2 | Gear | 28T | 2 |
| 511 | F014003 | Key, Dbl Rd Hd | A4×22 | 2 |
| 512 | D330B-34201-1 | Gear | 18T | 2 |
| 513 | F006047 | C-Retaining Ring, Ext | 20mm | 4 |
| 514 | D330C-0546C | Spanner Nut | | 2 |
| 515 | BB-51105 | Thrust Bearing | 51105 | 2 |
| 516 | BD920N-GB40 | Hex Socket Cap Screw | M5×14 | 15 |
| 517 | D330B-31102 | Flange | | 1 |
| 518 | D330B-31103 | Gasket | | 1 |
| 519 | D330B-31101 | Shaft | | 1 |
| 520 | S0400545 | Key, Dbl Rd Hd | 5×45mm | 1 |
| 521 | D330B-30101 | Gearbox | | 1 |
| 522 | D330B-37103 | Gasket | | 1 |
| 523 | D330B-37102 | Bushing | | 1 |
| 524 | JHM610-22 | Hex Socket Cap Screw | M6×14 | 3 |
| 525 | D330B-37101-1 | Shaft | | 1 |
| 525a | D330B-37101-2 | Coupler Sleeve | | 1 |
| 525b | GH1440B-525B | Taper Pin | 4X50mm | 1 |
| 526 | D330B-32102 | End cover | | 1 |
| 527 | D330B-32103 | Gasket | | 1 |
| 27a | BB-6202Z | Bearing | 6202-Z | 3 |
| 528 | F014004 | Key, Dbl Rd Hd | 4×55mm | 1 |
| 529 | D330B-32101 | Shaft | | 1 |
| 530 | JWDP12-128 | Key, Dbl Rd Hd | 4×80mm | 1 |
| 531 | D330B-35101 | Shaft | | 1 |
| 532 | KEY4418 | Key, Dbl Rd Hd | 4×18mm | 2 |
| 533 | D330B-35103 | Gasket | | 1 |
| 534 | D330B-35102 | End cover | | 1 |
| 535 | D330B-33102 | End cover | | 1 |
| 536 | D330B-33103 | Gasket | | 1 |
| 537 | GH1440B-537 | Oil Plug | M16×1.5 | 2 |
| 538 | GH1440B-348 | Copper washer | 16mm | 1 |
| 539 | BB-6004Z | Bearing | 6004-Z | 1 |
| 540 | D330B-36103 | Gasket | | 1 |
| 541 | D330B-36102 | Flange | | 1 |
| 542 | GH1440B-542 | Oil seal | 25X40X7 | 1 |
| 543 | D330B-36101 | Shaft | | 1 |
| 544 | D330B-32201 | Gear | 25T | 1 |
| 545 | D330B-32202 | Gear | 16T | 1 |
| 546 | D330B-32104 | Spacer | | 1 |
| 547 | D330B-32203 | Gear | 32T | 1 |
| 548 | D330B-32105 | Spacer | | 1 |
| 549 | D330B-35106 | Spacer | | 1 |
| 550 | D330B-35205 | Gear | 32T | 1 |
| 551 | D330B-35105 | Spacer | | 1 |
| 552 | D330B-35204 | Gear | 30T | 1 |
| 553 | D330B-35203 | Gear | 28T | 1 |
| 555 | D330B-35202 | Gear | 30T | 1 |
| 556 | D330B-35104 | Spacer | | 1 |
| 557 | D330B-35201 | Gear | 16T | 1 |
| 558 | D330B-33101 | Shaft | | 1 |

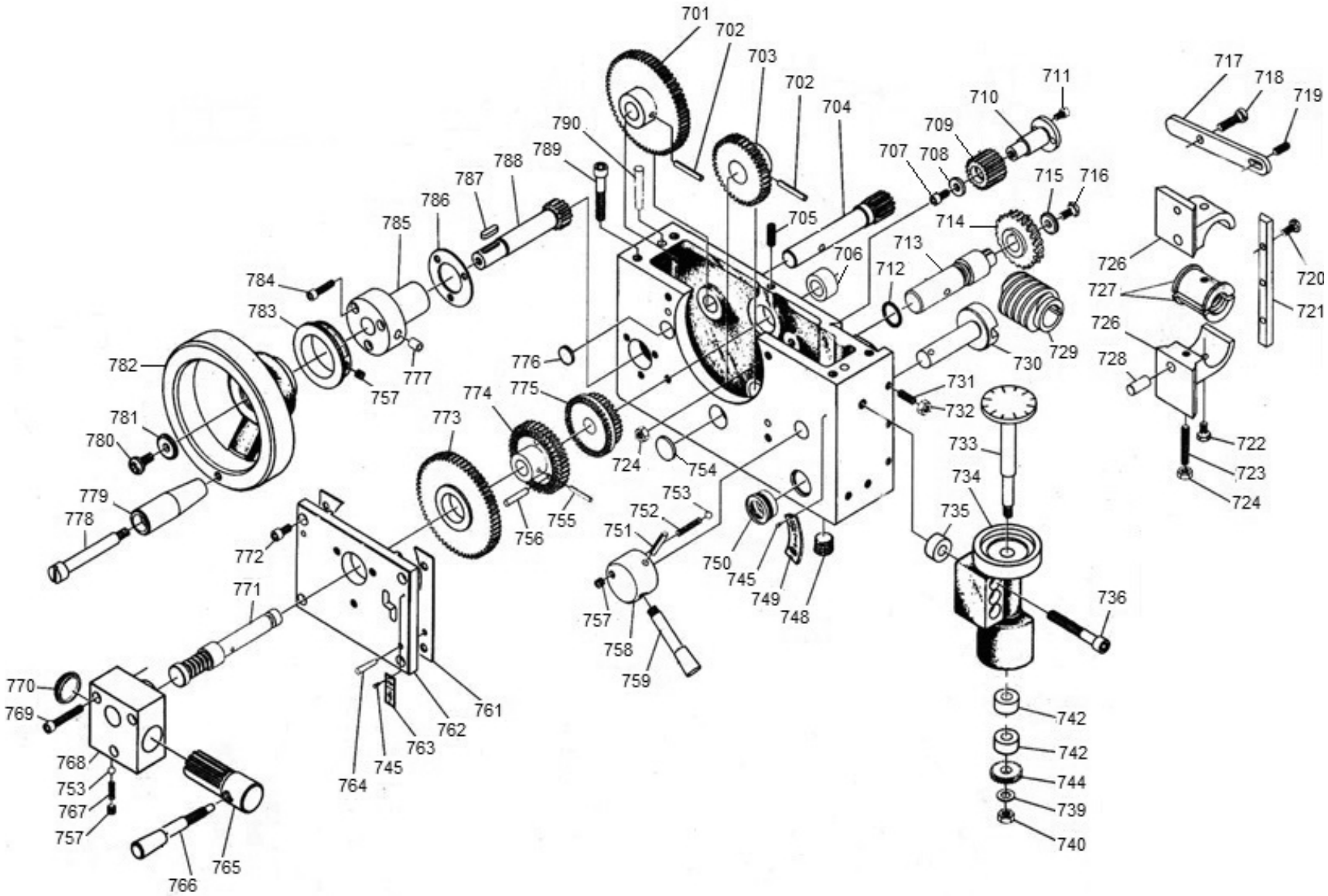
| Index No. | Part No. | Description | Size | Qty |
|-----------|--------------|-----------------------|----------|-----|
| 559 | D330B-33201 | Gear | 32T/16T | 1 |
| 560 | D330B-36104 | Spacer | | 1 |
| 561 | F006044 | C-Retaining Ring, Ext | 16mm | 1 |
| 562 | D330B-36201 | Gear | | 1 |
| 563 | D330B-38102 | End cover | | 2 |
| 564 | D330B-38103 | Rack-A | | 1 |
| 565 | D330B-38104 | Shift fork-A | | 1 |
| 566 | D330B-38105 | Rack-B | | 1 |
| 567 | D330B-38106 | Shift fork-B | | 1 |
| 568 | D330B-38101 | Shaft | | 2 |
| 569 | D330B-38108 | Shift fork-C | | 1 |
| 570 | D330B-38107 | Rack-C | | 1 |
| 571 | D330B-38110 | Shift fork-D | | 1 |
| 572 | D330B-38109 | Rack-D | | 1 |
| 573 | TS-1522021 | Set Screw | M5×8 | 2 |
| 574 | GH1440B-574 | Oil Seal | 12×1.9mm | 2 |
| 575 | D330B-38111 | Gear | | 4 |
| 576 | KF2R5508 | Key, Dbl Rd Hd | 5×8mm | 4 |
| 577 | GH1440B-312 | Oil Seal | 16×2.4mm | 4 |
| 578 | D330A-3054 | Handle | | 4 |
| 579 | SB-6MM | Steel Ball | 6mm | 4 |
| 580 | D330A-21256 | Spring | 6X1X26mm | 4 |
| 581 | F010439 | Socket Set Screw FP | M8×8 | 4 |
| 582 | TS-1550041 | Flat Washer | 6mm | 4 |
| 583 | TS-1503031 | Hex Socket Cap Screw | M6×12 | 4 |
| 584 | GH1440B-584 | Indicator Plate | | 4 |
| 585 | TS-2171012 | Pan Head Screw | M4×6 | 14 |
| 586 | GH1440B-586 | Control Plate | | 1 |
| 587 | GH1440B-304 | Oil Sight Glass | M27X1.5 | 1 |
| 588 | 111001-00-43 | Roll Pin | 4×25mm | 2 |
| 589 | TS-1503051 | Hex Socket Cap Screw | M6×20 | 8 |
| 590 | D330B-38112 | Gearbox Cover | | 1 |
| 591 | D330B-38113 | Gasket | | 1 |
| 592 | 5508152 | Socket Flat Hd Screw | M4×6 | 4 |
| 593 | D330B-38115 | Cover-2 | | 1 |
| 594 | D330B-38114 | Cover-1 | | 1 |

13.6.1 Change Gears and Cover Assembly – Exploded View



13.6.2 Change Gears and Cover Assembly – Parts List

| Index No. | Part No. | Description | Size | Qty |
|-----------|-----------------|-------------------------|-----------|-----|
| 601 | TS-1540071 | Hex Nut | M10 | 2 |
| 602 | TS-1550071 | Flat Washer | 10mm | 2 |
| 603 | F006033 | C-Retaining Ring, Int | 35mm | 1 |
| 604 | D330A-91208 | Gear | 120T/127T | 1 |
| 605 | BB-6003Z | Bearing | 6003-Z | 2 |
| 606 | D330B-91209G | Collar | | 1 |
| 607 | D330B-91101G | Gear frame | | 1 |
| 608 | TS-1540081 | Hex Nut | M12 | 2 |
| 609 | D330B-91210G | Bolt | | 1 |
| 610 | TS-2360121 | Flat Washer | 12mm | 2 |
| 612 | D330B-91201G-1 | Change Gear | 30T | 1 |
| 613 | D330B-91214G | Spacer | | 1 |
| 614 | GH1440B-614 | Double-End Stud | M10×70 | 1 |
| 615 | 5217791 | Key, Dbl Rd Hd | 5×14mm | 2 |
| 616 | TS-1504051 | Hex Socket Hd Cap Screw | M8X25 | 1 |
| 617 | D330B-91212G | Spacer | | 1 |
| 618 | GH1440B-618 | Change Gear | 60T | 2 |
| 619 | D330B-91202G | Change Gear | 40T | 1 |
| 620 | D330B-91203G-3 | Change Gear | 42T | 1 |
| 621 | D330B-91203G-4 | Change Gear | 44T | 1 |
| 622 | D330B-91203G-5 | Change Gear | 46T | 1 |
| 623 | D330B-91203G-6 | Change Gear | 52T | 1 |
| 624 | D330B-91203G-7 | Change Gear (not shown) | 54T | 1 |
| 625 | D330B-91203G-8 | Change Gear (not shown) | 56T | 1 |
| 626 | D330B-91203G-9 | Change Gear (not shown) | 57T | 1 |
| 627 | D330B-91203G-11 | Change Gear (not shown) | 63T | 1 |
| 631 | TS-2171012 | Pan Head Screw | M4×6 | 4 |
| 632 | TS-1550021 | Flat Washer | 4mm | 6 |
| 633 | D360D-13401A-1 | Door | | 1 |
| 634 | TS-1540021 | Hex Nut | M4 | 4 |
| 635 | D330A-71209 | Bracket | | 1 |
| 636 | GH1440-636 | Switch Key | | 1 |
| 637 | TS-2171012 | Pan Head Screw | M4×6 | 2 |
| 638 | GH1440B-638 | Flat Washer | | 2 |
| 639 | D360D-13401A | Change Gear Cover | | 1 |
| 640 | TS-1502011 | Hex Socket Hd Cap Screw | M5X8 | 8 |
| 641 | TS-1550031 | Flat Washer | 5mm | 9 |
| 642 | D330B-14220 | Motor Cover | | 1 |
| 643 | GH1440B-643 | Limit Switch | QKS8 | 1 |
| 644 | TS-2284302 | Pan Head Screw | M4X30 | 2 |
| 645 | TS-1540031 | Hex Nut | M5 | 2 |
| 646 | BG379-34 | Hex Socket Hd Cap Screw | M5X50 | 1 |
| 647 | TS-1503031 | Hex Socket Hd Cap Screw | M6X12 | 1 |
| 648 | D330D-14208B-1 | Door Cover | | 1 |
| 649 | TS-1541021 | Nylon Lock Hex Nut | M6 | 1 |
| 650 | TS-1550041 | Flat Washer | 6mm | 1 |
| 651 | GH1440B-651 | Door Latch Assy | | 1 |

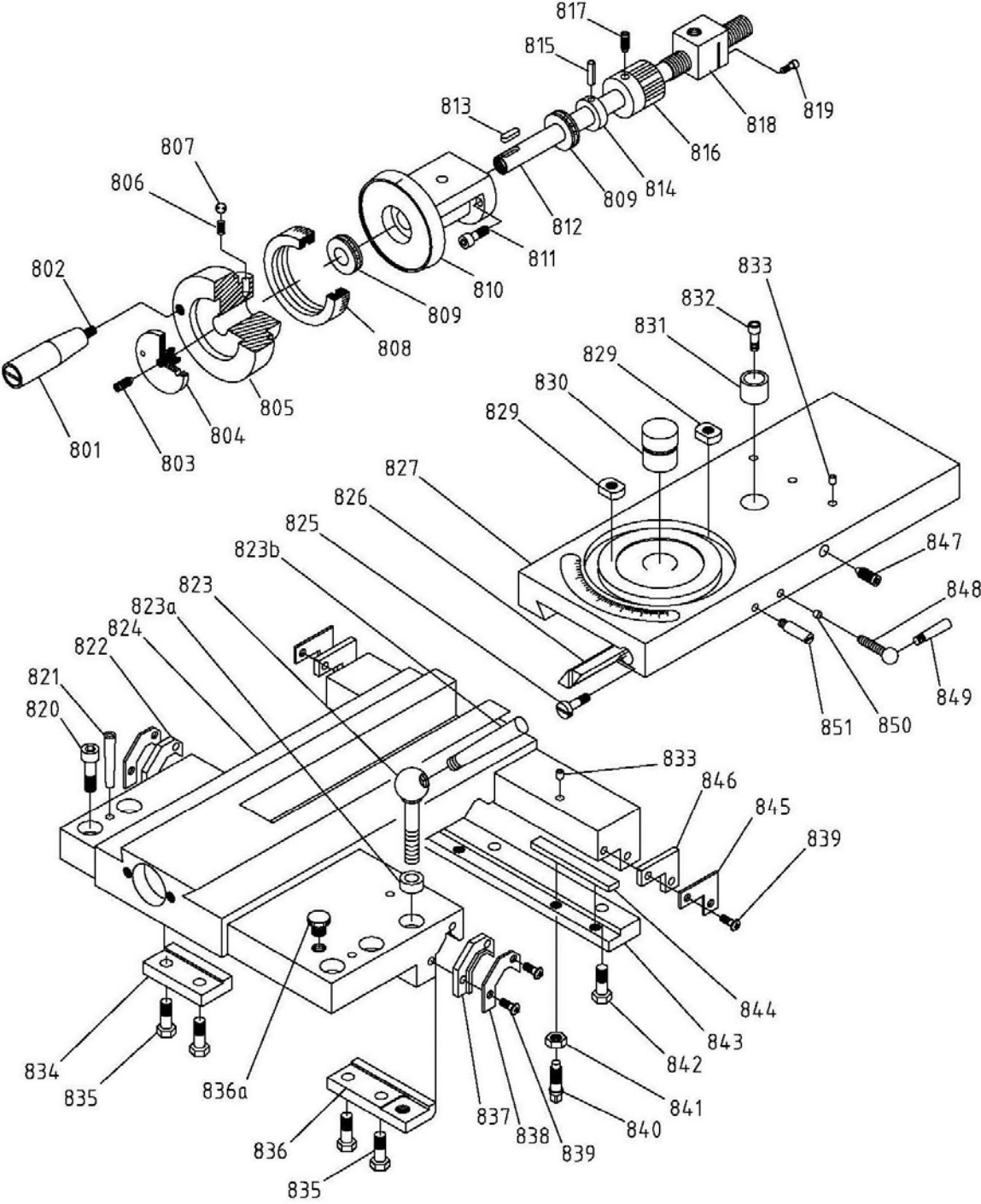


13.7.2 Apron Assembly – Parts List

| Index No. | Part No. | Description | Size | Qty |
|-----------|-------------|--------------------------|---------|-----|
| 701 | 33-4012 | Gear | 60T | 1 |
| 702 | ZX-S48 | Spring Pin | 5×30mm | 2 |
| 703 | 33-4024 | Gear | 40T | 1 |
| 704 | 33-4010 | Pinion Shaft | 13T | 1 |
| 705 | F010438 | Socket Set Screw DP | M6×16 | 1 |
| 706 | 33-4049 | Sleeve | | 1 |
| 707 | TS-1503031 | Socket Head Cap Screw | M6×12 | 1 |
| 708 | 32-06240 | Washer | | 1 |
| 709 | 32-06231 | Gear | 18T | 1 |
| 710 | 32-06232 | Idle Shaft | | 1 |
| 711 | TS-1502031 | Socket Head Cap Screw | M5×12 | 1 |
| 712 | GH1440B-712 | O-Ring | 76mm | 1 |
| 713 | 33-4026 | Shaft | | 1 |
| 714 | 32-06429 | Worm Gear | 22T | 1 |
| 715 | 33-4028 | Washer | | 1 |
| 716 | TS-1482021 | Hex Cap Bolt | M6×12 | 1 |
| 717 | 33-4038 | Interlock Piece | | 1 |
| 718 | TS-2286202 | Pan Head Screw | M6×20 | 1 |
| 719 | TS-1523041 | Socket Set Screw | M6×12 | 1 |
| 720 | TS-2205201 | Hex Cap Bolt | M5×20 | 3 |
| 721 | 33-4036 | Gib | | 1 |
| 722 | TS-1482011 | Hex Cap Bolt | M6×10 | 1 |
| 723 | GHB1340-A74 | Socket Set Screw | M6×35 | 1 |
| 724 | TS-1540041 | Hex Nut | M6 | 2 |
| 726 | 33-4035 | Half Nut Base (2 pcs) | | 1 |
| 727 | 33-4035-1 | Half Nut (2 pcs) | | 1 |
| 728 | F004046 | Dowel Pin | 8×16mm | 2 |
| 729 | 32-06228 | Worm | | 1 |
| 730 | 32-06225 | Cam Shaft | | 1 |
| 731 | TS-1522051 | Socket Set Screw | M5×16 | 3 |
| 732 | TS-1540031 | Hex Nut | M5 | 3 |
| 733 | 33-4040A | Dial Indicator | | 1 |
| 734 | 33-4039A | Thread Dial Body | | 1 |
| 735 | 32-06206 | Spacer | | 1 |
| 736 | TS-1504101 | Socket Head Cap Screw | M8×50 | 1 |
| 739 | TS-1550061 | Flat Washer | 8mm | 1 |
| 740 | TS-1540061 | Hex Nut | M8 | 1 |
| 742 | 32-06237 | Spacer | | 3 |
| 744 | 33-4041 | Helical Gear | 32T | 1 |
| 745 | VS020500 | Button Head Rivet | 2×5mm | 4 |
| 748 | GH1440B-748 | Drain Plug | 1/8" | 1 |
| 749 | 33-4050 | Half Nut Indicator | | 1 |
| 750 | GH1440B-750 | Oil Sight Glass | M27X1.5 | 1 |
| 751 | GB117-5X40 | Taper Pin | 5×40mm | 1 |
| 752 | GH1440B-752 | Compression Spring | | 1 |
| 753 | SB-6MM | Steel Ball | 6mm | 2 |
| 754 | 33-4027 | Plug | | 1 |
| 755 | GA7X-865 | Spring Pin | 3×25mm | 1 |
| 756 | GH1440B-756 | Dowel Pin | C5×25 | 1 |
| 757 | TS-1523011 | Socket Set Screw | M6×6 | 2 |
| 758 | 33-4033 | Lever Hub | | 1 |
| 759 | 33-4034 | Lever | | 1 |
| 761 | 33-4002-1 | Spacer | | 1 |
| 762 | 33-4002 | Front Cover | | 1 |
| 763 | 33-4047 | Feed Direction Indicator | | 1 |
| 764 | ZX-S75 | Taper Pin | 5×20mm | 2 |
| 765 | 33-4020 | Cam Shaft | | 1 |
| 766 | CQ6230-4041 | Change Lever | | 1 |
| 767 | GB2089-80 | Compression Spring | | 1 |
| 768 | 33-4019 | Bracket | | 1 |

| Index No. | Part No. | Description | Size | Qty |
|-----------|--------------|-----------------------|----------|-----|
| 769 | TS-1503081 | Socket Head Cap Screw | M6×35 | 3 |
| 770 | CL6132-06-02 | Plug | | 1 |
| 771 | 33-4013 | Shifting Shaft | | 1 |
| 772 | TS-1503041 | Socket Head Cap Screw | M6×16 | 4 |
| 773 | 33-4016 | Clutch Gear | 63T | |
| 774 | 33-4015 | Clutch Gear | 40T | 1 |
| 775 | 33-4014 | Clutch Gear | 30T | 1 |
| 776 | 33-4011 | Plug | | 1 |
| 777 | GH1440B-777 | Ball Oiler | | 1 |
| 778 | 33-4008 | Bolt | | 1 |
| 779 | 33-4009 | Handle | | 1 |
| 780 | 5512222 | Pan Head Screw | M6×15 | 1 |
| 781 | 33-4007 | Washer | | 1 |
| 782 | 33-4005 | Handwheel | | 1 |
| 783 | 33-4006 | Dial | | 1 |
| 784 | TS-1502061 | Socket Head Cap Screw | M5×25 | 3 |
| 785 | 33-4004 | Bracket | | 1 |
| 786 | 33-4004-1 | Spacer | | 1 |
| 787 | 5519710 | Key, Dbl Rd Hd | 5×5×20mm | 1 |
| 788 | 33-4003 | Gear Shaft | 14T | 1 |
| 789 | TS-1504061 | Socket Head Cap Screw | M8×30 | 4 |
| 790 | GH1440B-790 | Taper Pin, Int Thread | 6×45mm | 2 |

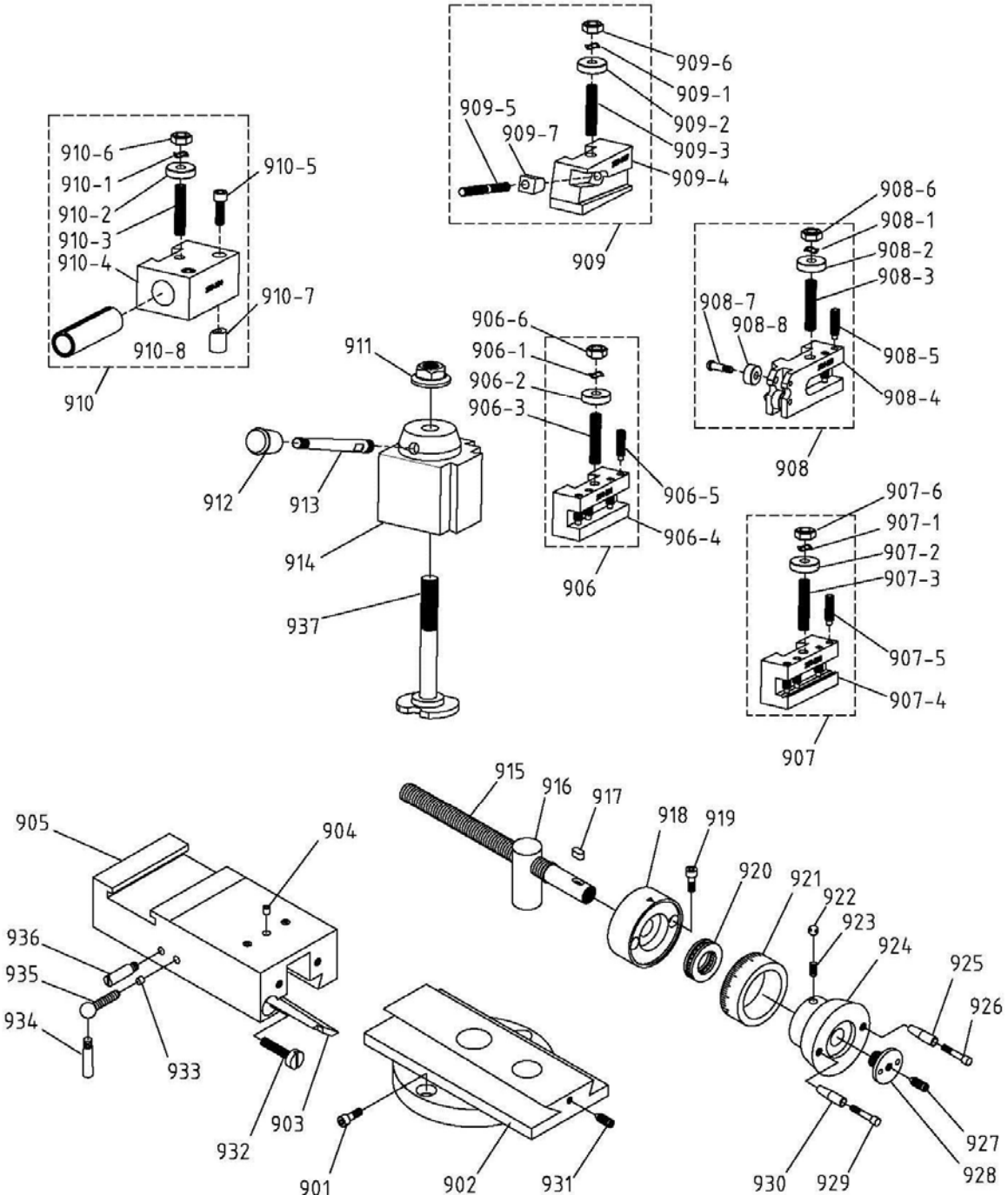
13.8.1 Cross Slide Assembly – Exploded View



13.8.2 Cross Slide Assembly – Parts List

| Index No. | Part No. | Description | Size | Qty |
|-----------|----------------|----------------------|------------|-----|
| 801 | D330A-81202A | Handle | | 1 |
| 802 | D330A-8120A-1 | Screw | M10 | 1 |
| 803 | TS-1523071 | Socket Set Screw | M6×25 | 1 |
| 804 | D330B-51207G-1 | Adjusting Screw | | 1 |
| 805 | D330B-51207G | Handwheel | | 1 |
| 806 | D330A-21257 | Spring | 5×0.8×13mm | 1 |
| 807 | SB-5MM | Steel Ball | 5 | 1 |
| 808 | D330B-51208G | Index Ring | | 1 |
| 809 | BB-51102 | Bearing | 51102 | 2 |
| 810 | D330B-51106G | Bracket | | 1 |
| 811 | TS-1503051 | Hex Socket Cap Screw | M6×20 | 2 |
| 812 | D330B-51206G | Cross Leadscrew | | 1 |
| 813 | KF2R5508 | Key, Dbl Rd Hd | 5×8mm | 1 |
| 814 | D330A-51210 | Washer | | 1 |
| 815 | 701-118 | Roll Pin | 4×25mm | 1 |
| 816 | D330C-51202C | Gear | 19T | 1 |
| 817 | F010443 | Socket Set Screw DP | M6×8 | 1 |
| 818 | D330B-51401G | Copper Nut | | 1 |
| 819 | TS-1503041 | Hex Socket Cap Screw | M6×16 | 1 |
| 820 | TS-1505041 | Hex Socket Cap Screw | M10×30 | 4 |
| 821 | GH1440B-146 | Taper pin | 6×45mm | 2 |
| 822 | D330A-51301 | Left Rubber Wiper | | 1 |
| 823 | D330A-S1001 | Lock Handle Screw | | 1 |
| 823a | D330A-S1003 | Bushing | | 1 |
| 823b | D330A-S1002 | Lock Handle | | 1 |
| 824 | D330B-51101G | Saddle Casting | | 1 |
| 825 | D330A-51214 | Gib Adjusting Screw | | 2 |
| 826 | D330B-51212G | Gib | | 1 |
| 827 | D330B-51102G | Cross Slide | | 1 |
| 829 | D330B-51203G | Special Nut | | 2 |
| 830 | D330B-51219G | Slide Axis | 4×80mm | 1 |
| 831 | D330B-51201G | Washer | | 1 |
| 832 | TS-1504031 | Hex Socket Cap Screw | M8×16 | 1 |
| 833 | BDB919-021 | Oil Cup | 6 | 5 |
| 834 | D330A-51103 | Front Pressure Plate | | 1 |
| 835 | TS-1490031 | Hex Cap Bolt | M8×20 | 4 |
| 836a | D330A-51215 | Screw Plug | | 1 |
| 836 | D330A-51105 | Pressure Plate | | 1 |
| 837 | D330A-51302 | Right Rubber Wiper | | 1 |
| 838 | D330A-51205 | Plate | | 2 |
| 839 | TS-1533042 | Pan Head Screw | M5×12 | 8 |
| 840 | GH1440B-840 | Square Hd Bolt | M8×25 | 4 |
| 841 | TS-1540061 | Hex Nut | M8 | 4 |
| 842 | TS-1490041 | Hex Cap Bolt | M8×25 | 3 |
| 843 | D330B-51104G | Rear Pressure Plate | | 1 |
| 844 | D330A-51216 | Gib | | 2 |
| 845 | D330A-51204 | Plate | | 2 |
| 846 | D330A-51303 | Back Rubber Wiper | | 2 |
| 847 | TS-1524041 | Socket Set Screw | M8×16 | 1 |
| 848 | D330B-S2001 | Lock Handle Screw | | 1 |
| 849 | D330A-S1002 | Lock Handle | | 1 |
| 850 | D330A-S2004 | Locking Washer | | 1 |
| 851 | D330A-S2003 | Screw | | 1 |

13.9.1 Compound Rest Assembly – Exploded View

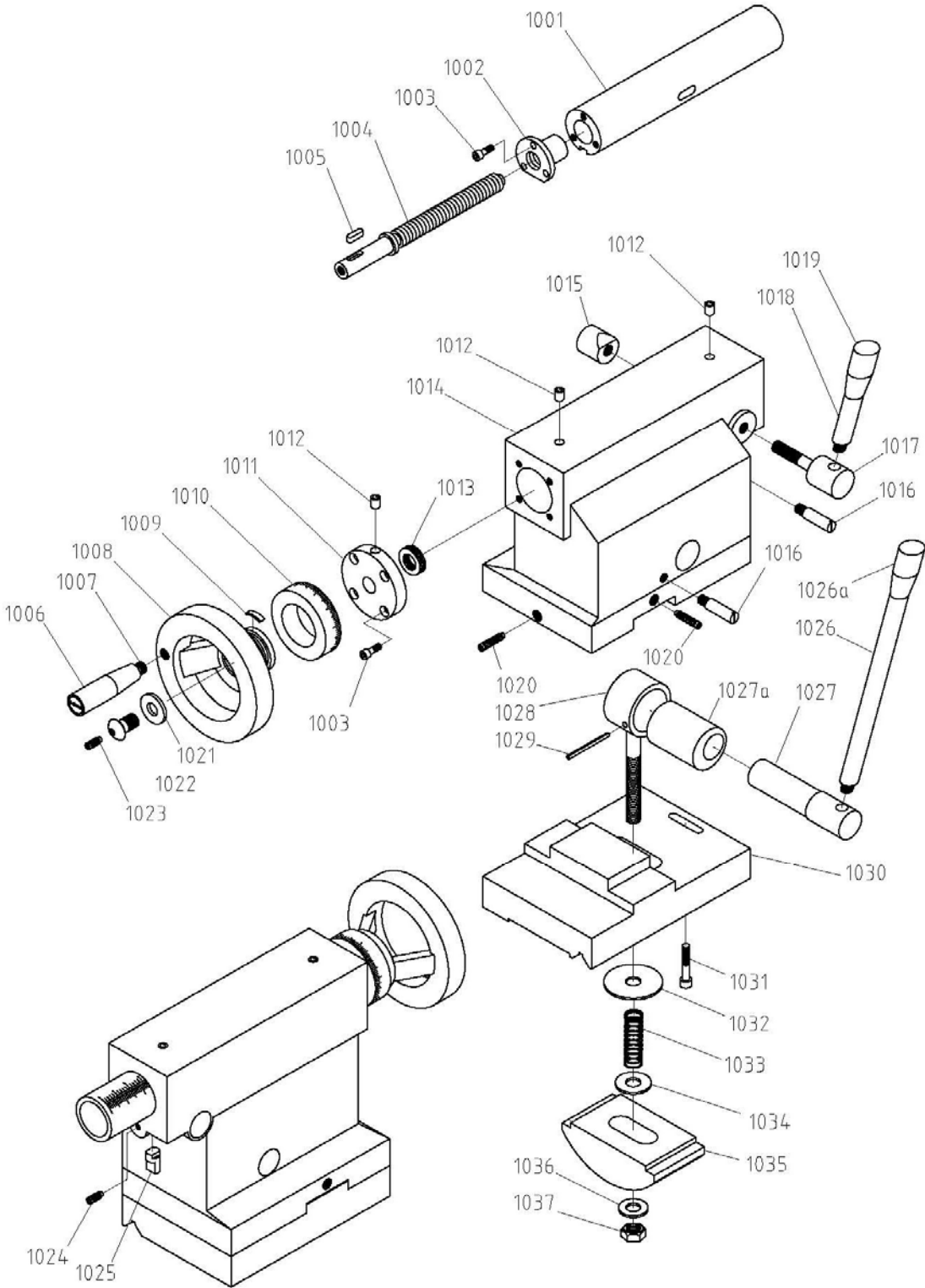


13.9.2 Compound Rest Assembly – Parts List

| Index No. | Part No. | Description | Size | Qty |
|-----------|-------------|--------------------------------|----------|-----|
| 901 | TS-1504031 | Hex Socket Cap Screw | M8×16 | 2 |
| 902 | GH1440B-902 | Compound Rest | | 1 |
| 903 | GH1440B-903 | Gib | | 1 |
| 904 | BDB919-021 | Ball Oiler | 6mm | 3 |
| 905 | GH1440B-905 | Compound Rest Body | | 1 |
| 906 | GH1440B-906 | Turning Facing Holder | | 1 |
| 906-1 | | Wave Washer 10mm | 10MM | 1 |
| 906-2 | | Round Thumb Nut | 10MM | 1 |
| 906-3 | | Set Screw | M10X45 | 1 |
| 906-4 | | Facing Holder | | 1 |
| 906-5 | | Set Screw DP | M10X20 | 4 |
| 906-6 | | Hex Nut | M10 | 1 |
| 907 | GH1440B-907 | Turning Boring Facing Holder | | 1 |
| 907-1 | | Wave Washer 10mm | 10MM | 1 |
| 907-2 | | Round Thumb Nut | 10MM | 1 |
| 907-3 | | Set Screw | M10X45 | 1 |
| 907-4 | | Boring Facing Holder | | 1 |
| 907-5 | | Set Screw DP | M10X20 | 4 |
| 907-6 | | Hex Nut | M10 | 1 |
| 908 | GH1440B-908 | Knurling & Facing Holder | | 1 |
| 908-1 | | Wave Washer 10mm | 10MM | 1 |
| 908-2 | | Round Thumb Nut | 10MM | 1 |
| 908-3 | | Set Screw | M10X45 | 1 |
| 908-4 | | Knurling Holder | | 1 |
| 908-5 | | Set Screw DP | M10X20 | 2 |
| 908-6 | | Hex Nut | M10 | 1 |
| 908-7 | | Roller Shaft | | 2 |
| 908-8 | | Idler Wheel | | 2 |
| 909 | GH1440B-909 | Universal Parting Blade Holder | | 1 |
| 909-1 | | Wave Washer 10mm | 10MM | 1 |
| 909-2 | | Round Thumb Nut | 10MM | 1 |
| 909-3 | | Set Screw | M10X45 | 1 |
| 909-4 | | Parting Holder | | 1 |
| 909-5 | | Screw | | 1 |
| 909-6 | | Hex Nut | M10 | 1 |
| 909-7 | | Lock Nut | | 1 |
| 910 | GH1440B-910 | Heavy Duty Boring Bar Holder | | 1 |
| 910-1 | | Wave Washer 10mm | 10MM | 1 |
| 910-2 | | Round Thumb Nut | 10MM | 1 |
| 910-3 | | Set Screw M10X45 | M10X45 | 1 |
| 910-4 | | Boring Bar Holder | | 1 |
| 910-5 | | Hex Socket Cap Screw | | 1 |
| 910-6 | | Hex Nut | M10 | 1 |
| 910-7 | | Elastic Sleeve | | 1 |
| 910-8 | | Lock Nut | | 1 |
| 911 | GH1440B-911 | Flange Nut | M16 | 1 |
| 912 | GH1440B-912 | Handle Grip | | 1 |
| 913 | GH1440B-913 | Handle Shaft | | 1 |
| 914 | GH1440B-914 | Quick Change Tool Post Body | | 1 |
| 915 | GH1440B-915 | Leadscrew | | 1 |
| 916 | GH1440B-916 | Cylindrical Nut | | 1 |
| 917 | F014001 | Key, Dbl Rd Hd | 4×14mm | 1 |
| 918 | GH1440B-918 | Bracket | | 1 |
| 919 | TS-1503041 | Hex Socket Cap Screw | M6×16 | 2 |
| 920 | BB-51103 | Bearing | 51103 | 1 |
| 921 | GH1440B-921 | Index ring | | 1 |
| 922 | SB-5MM | Steel Ball | 5mm | 1 |
| 923 | GH1440B-923 | Spring | 5×1×12mm | 1 |
| 924 | GH1440B-924 | Handwheel | | 1 |
| 925 | GH1440B-925 | Handle | | 1 |

| Index No. | Part No. | Description | Size | Qty |
|------------------|-----------------|---------------------|-------------|------------|
| 926 | GH1440B-926 | Bolt | | 1 |
| 927 | TS-1523071 | Socket Set Screw | M6×25 | 1 |
| 928 | GH1440B-928 | Disc | | 1 |
| 929 | GH1440B-929 | Bolt | | 1 |
| 930 | GH1440B-930 | Handle | | 1 |
| 931 | TS-1523051 | Socket Set Screw | M6×16 | 1 |
| 932 | GH1440B-932 | Gib Adjusting Screw | | 1 |
| 933 | GH1440B-933 | Pin | 4X8mm | 1 |
| 934 | D330A-S2002 | Lock Handle | | 1 |
| 935 | D330B-S3001 | Lock Handle Screw | | 1 |
| 936 | D330A-S2003 | Shaft | | 1 |
| 937 | GH1440B-937 | Mounting Shaft | | 1 |

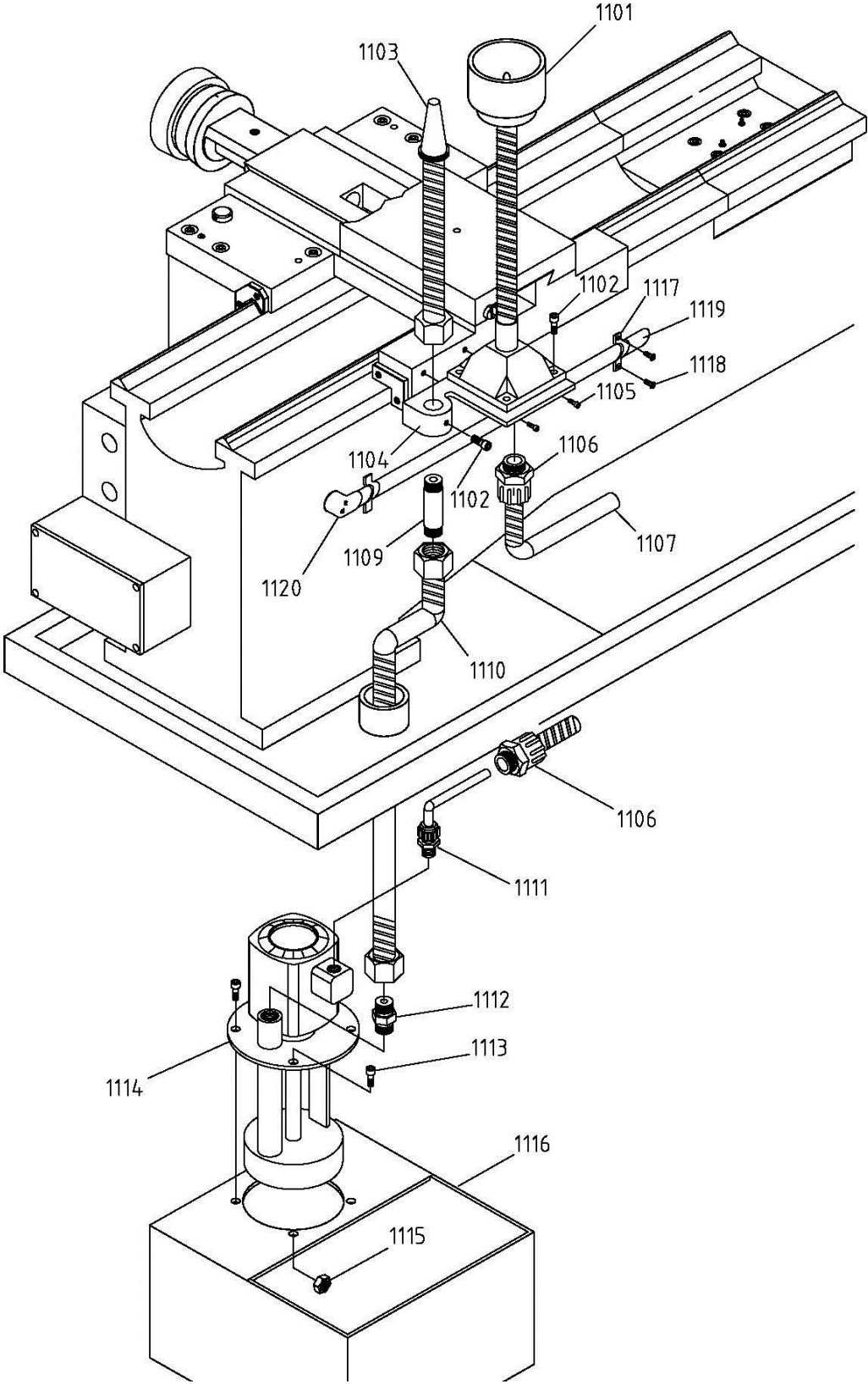
13.10.1 Tailstock Assembly – Exploded View



13.10.2 Tailstock Assembly – Parts List

| Index No. | Part No. | Description | Size | Qty |
|-----------|---------------|----------------------|--------|-----|
| 1001 | D330D-0606 | Quill | | 1 |
| 1002 | D330D-0608 | Copper Nut | | 1 |
| 1003 | TS-1501041 | Hex Socket Cap Screw | M4X12 | 3 |
| 1004 | D330D-0607 | Leadscrew | | 1 |
| 1005 | 6286475 | Key, Dbl Rd Hd | A4X15 | 1 |
| 1006 | D330A-81202 | Handle | | 1 |
| 1007 | D330A-81203-2 | Bolt | | 1 |
| 1008 | GH1440B-1008 | Handwheel | | 1 |
| 1009 | GH1440B-1009 | Leaf Spring | | 1 |
| 1010 | D330D-0610 | Graduated Collar | | 1 |
| 1011 | D330D-0609 | Leadscrew Bracket | | 1 |
| 1012 | GH1440B-1012 | Oil Cup | | 3 |
| 1013 | BB-51102 | Thrust Bearing | 51102 | 1 |
| 1014 | D330D | Tailstock Casting | | 1 |
| 1015 | GH1440B-1015 | Lock Nut | | 1 |
| 1016 | D330A-6003 | Screw | | 2 |
| 1017 | GH1440B-1017 | Lock Bolt | | 1 |
| 1018 | GH1440B-1018 | Lock Handle | | 1 |
| 1019 | GH1440B-1019 | Tapered Knob | M10X50 | 2 |
| 1020 | F010442 | Socket Set Screw DP | M10x50 | 3 |
| 1021 | TS-2360121 | Flat Washer | 12mm | 1 |
| 1022 | GH1440B-1022 | Adjusting Screw | | 1 |
| 1023 | TS-1523071 | Socket Set Screw | M6x25 | 1 |
| 1024 | F010443 | Socket Set Screw DP | M6x8 | 1 |
| 1025 | GH1440B-1025 | Key, spcl | | 1 |
| 1026 | GH1440B-1026 | Lock Handle | | 1 |
| 1026a | GH1440B-1026A | Taper Knob | M10X50 | 1 |
| 1027 | GH1440B-1027 | Shaft | | 1 |
| 1027a | GH1440B-1027A | Cam Sleeve | | 1 |
| 1028 | GH1440B-1028 | Block | | 1 |
| 1029 | 811616 | Roll Pin | 4x50mm | 1 |
| 1030 | GH1440B-1030 | Tailstock Base | | 1 |
| 1031 | TS-1503091 | Hex Socket Cap Screw | M6x40 | 1 |
| 1032 | GH1440B-1032 | Washer, spcl | | 1 |
| 1033 | GH1440B-1033 | Spring | | 1 |
| 1034 | GH1440B-1034 | Washer, spcl | | 1 |
| 1035 | GH1440B-1035 | Clamp Block | | 1 |
| 1036 | GH1440B-1036 | Washer, spcl | 16mm | 1 |
| 1037 | TS-154010 | Hex Nut | M16 | 1 |

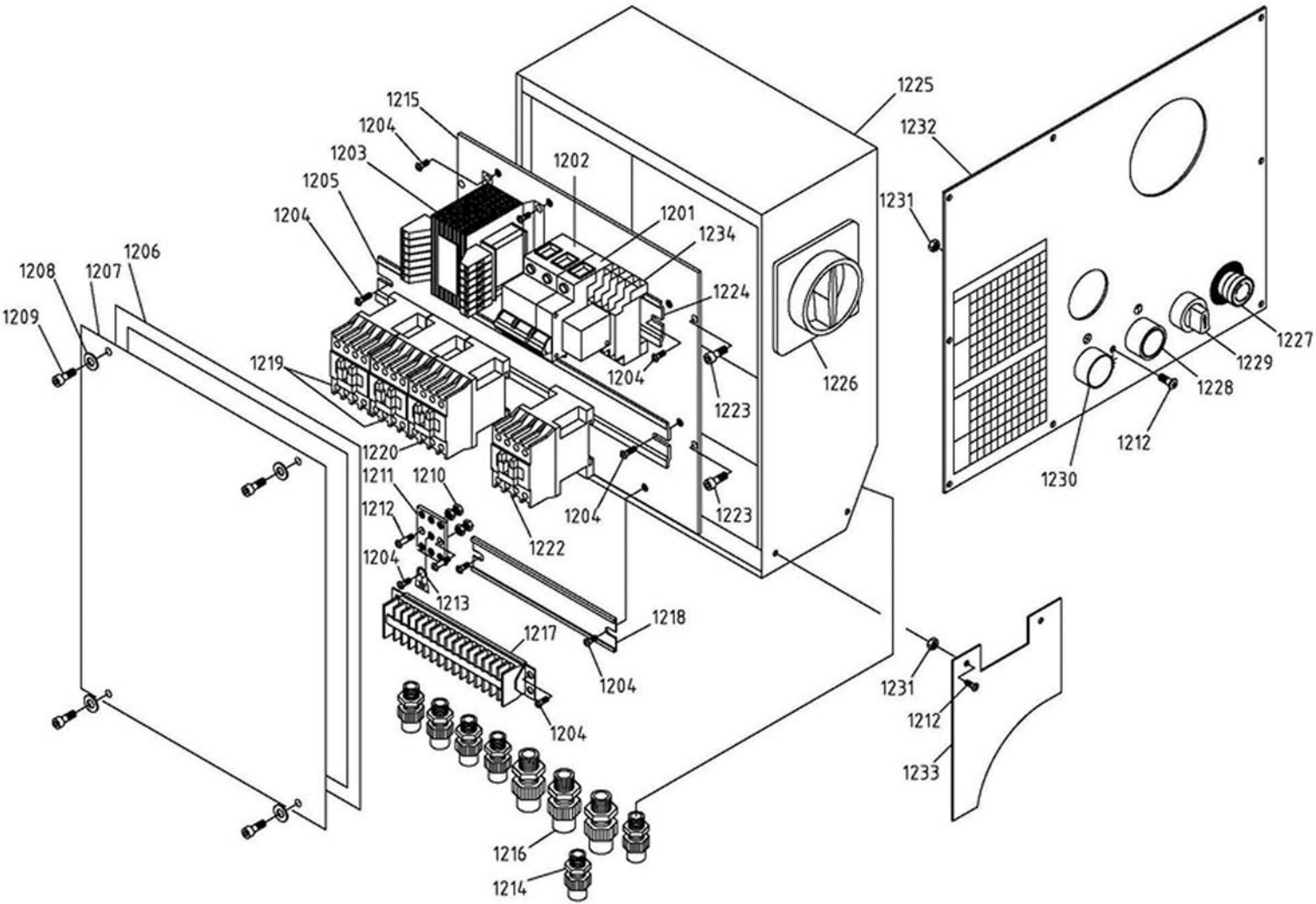
13.11.1 Coolant and Work Light – Exploded View



13.11.2 Coolant and Work Light – Parts List

| Index No. | Part No. | Description | Size | Qty |
|-----------|---------------|----------------------|--------------|-----|
| 1101 | GH1440B-1101 | Work Lamp | | 1 |
| 1102 | TS-1502031 | Hex Socket Cap Screw | M5X12 | 4 |
| 1103 | GH1440B-1103 | Coolant Nozzle | | 1 |
| 1104 | D330A-71206-2 | Bracket | | 1 |
| 1105 | TS-1503051 | Hex Socket Cap Screw | M6X20 | 2 |
| 1106 | GH1440B-1106 | Lock Connector | | 2 |
| 1107 | GH1440B-1107 | Plastic Tube | | 1 |
| 1108 | TS-1502031 | Hex Socket Cap Screw | M5X12 | 1 |
| 1109 | D330A-92202 | Double End Connector | | 1 |
| 1110 | GH1440B-1110 | Metal Cooling Tube | | 1 |
| 1111 | GH1440B-1111 | Strain Relief | M12X1.5 | 1 |
| 1112 | D330A-92203 | Double End Connector | | 1 |
| 1113 | TS-1503051 | Hex Socket Cap Screw | M6×20 | 2 |
| 1114 | GH1440B-1114 | Coolant Pump | 40W 230V 1PH | 1 |
| 1115 | TS-1540041 | Hex Nut | M6 | 2 |
| 1116 | D330B-14401 | Coolant Tank | | 1 |
| 1117 | GH1440B-1117 | Pipe Hanger | C-16 | 2 |
| 1118 | TS-1533032 | Pan Head Screw | M5×10 | 4 |
| 1119 | GH1440B-1119 | PVC tube | Φ16x200mm | 1 |
| 1120 | GH1440B-1120 | Elbow Connector | | 1 |

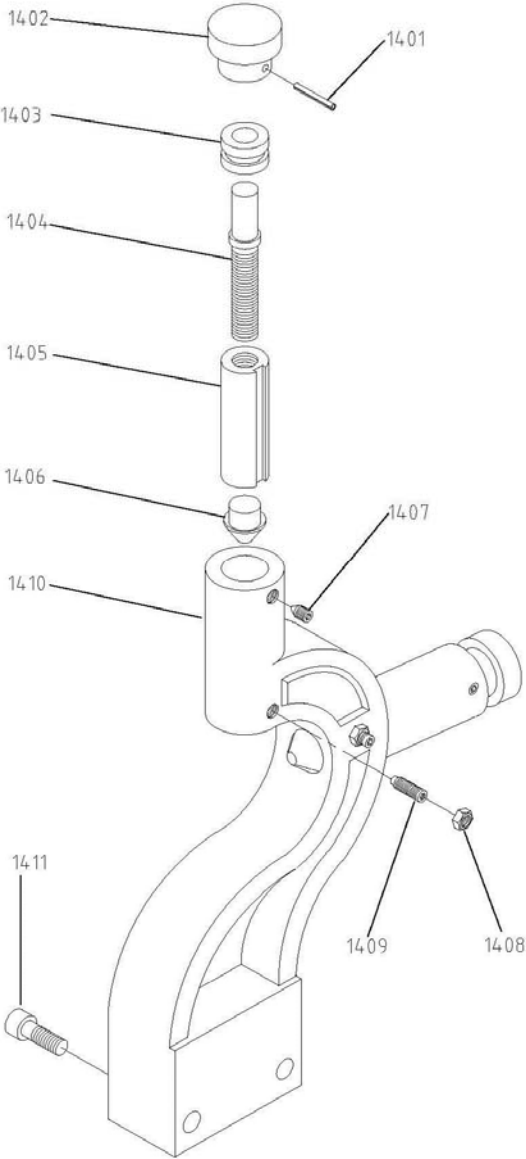
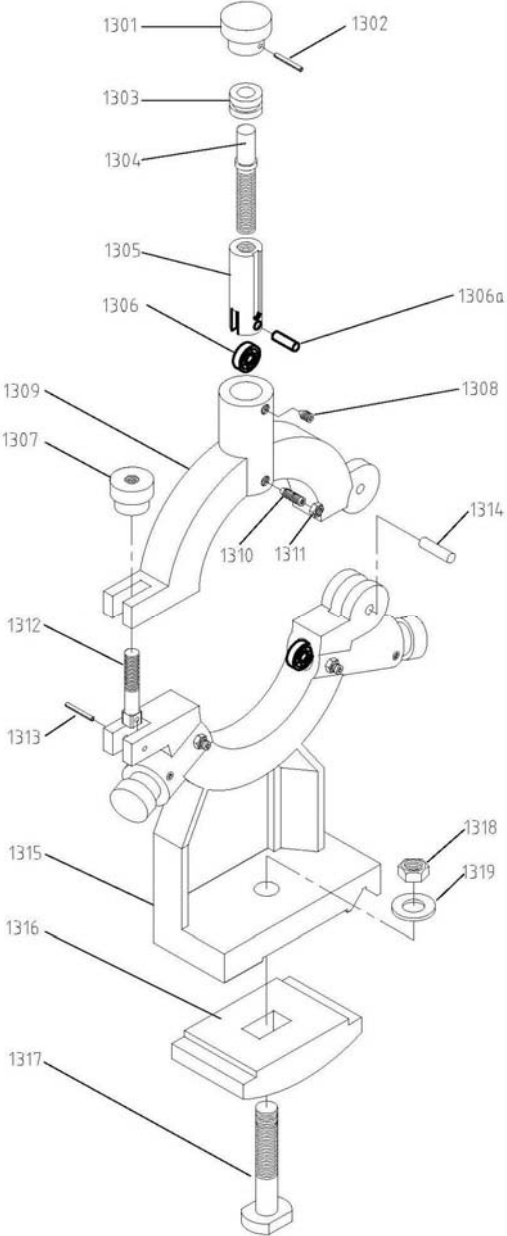
13.12.1 Electrical Box Assembly – Exploded View



13.12.2 Electrical Box Assembly – Parts List

| Index No. | Part No. | Description | Size | Qty |
|-----------|--------------|-----------------------|-------------------|-----|
| 1201 | GH1440B-1201 | Circuit Breaker | DZ47-63 -1PC3 | 1 |
| 1202 | GH1440B-1202 | Circuit Breaker | DZ47-63-2PD20 | 1 |
| 1203 | GH1440B-1203 | Transformer | JBK5-100VA-TH | 1 |
| 1204 | TS-2171012 | Pan Head Screw | M4X6 | 15 |
| 1205 | GH1440B-1205 | DIN Rail Lower | | 1 |
| 1206 | GH1440B-1206 | Rubber Cushion | | 4 |
| 1207 | D330B-14102 | Cover | | 1 |
| 1208 | TS-1550021 | Flat Washer | 4mm | 4 |
| 1209 | TS-1501031 | Hex Socket Cap Screw | M4×10 | 4 |
| 1210 | TS-1540031 | Hex Nut | M5 | 4 |
| 1211 | D330A-71401 | Grounding Block | | 1 |
| 1212 | TS-1532042 | Pan Head Screw | M4X12 | 5 |
| 1213 | GH1440B-1213 | Earth Grounding Label | | 1 |
| 1214 | GH1440B-1214 | Strain Relief | M16X1.5 | 6 |
| 1215 | D330B-14103 | Mounting Plate | | 1 |
| 1216 | GH1440B-1216 | Strain Relief | M20X1.5 | 3 |
| 1217 | GH1440B-1217 | Terminal Bar | TD1516 | 1 |
| 1218 | GH1440B-1218 | DIN Rail Ground | | 1 |
| 1219 | GH1440B-1219 | AC Contactor | CJX2S-1801-24V | 2 |
| 1220 | GH1440B-1220 | AC Contactor | CJX2S-0901-24V | 1 |
| 1222 | GH1440B-1222 | Contactor Relay | JZC4-40-24V | 1 |
| 1223 | TS-1502031 | Hex Socket Cap Screw | M5X12 | 4 |
| 1224 | GH1440B-1224 | DIN Rail Upper | | 1 |
| 1225 | D330B-14101A | Electrical Box | | 1 |
| 1226 | GH1440B-1226 | Power Switch | LW26-20 | 1 |
| 1227 | GH1440B-1227 | E-Stop Button | XB2-BS545 | 1 |
| 1228 | GH1440B-1228 | Jog Button | LAY5-22D/23 | 1 |
| 1229 | GH1440B-1229 | Selector Switch | LAY3-11/2 | |
| 1230 | GH1440B-1230 | Power Light | AD62-22D/S 23/24V | 1 |
| 1231 | TS-1540021 | Hex Nut | M4 | 3 |
| 1232 | GH1440B-1232 | Name Plate | | 1 |
| 1233 | B330B-14220A | Motor Upper Cover | | 1 |
| 1234 | GH1440B-1234 | Small Contactor Relay | CDZ9L-54P/AC24V | 1 |

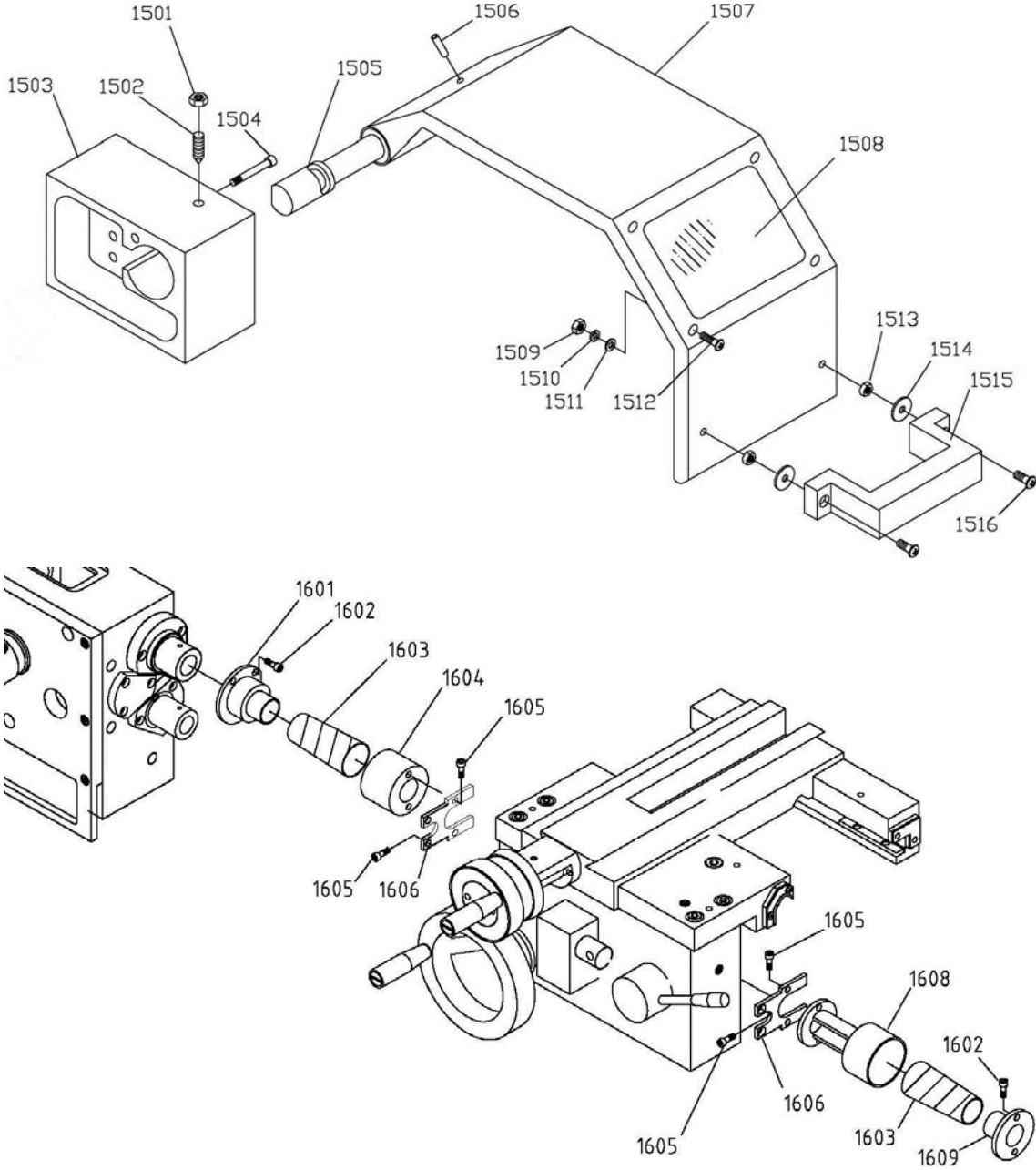
13.13.1 Steady Rest and Follow Rest – Parts List



13.13.2 Steady Rest and Follow Rest – Parts List

| Index No. | Part No. | Description | Size | Qty |
|-----------|--------------|------------------------|--------|-----|
| 1301 | D330A-8205 | Pinned Knob | | 3 |
| 1302 | TS-209203 | Roll Pin | 3X20mm | 3 |
| 1303 | D330A-8207 | Collar | | 3 |
| 1304 | D330B-8206 | Jack Screw | | 3 |
| 1305 | D330B-8208A | Finger Slide | | 3 |
| 1306 | BB-625ZZ | Bearing | 625ZZ | 3 |
| 1306a | F004038 | Dowel Pin | 5X16mm | 3 |
| 1307 | D330A-8204 | Knurled Thumb Knob | | 1 |
| 1308 | TS-1523031 | Socket Set Screw | M6X10 | 3 |
| 1309 | D330B-8202 | Steady Rest Upper Body | | 1 |
| 1310 | TS-1523051 | Socket Set Screw | M6×16 | 3 |
| 1311 | TS-1540041 | Hex Nut | M6 | 3 |
| 1312 | D330A-8203 | Pivot Stud | | 1 |
| 1313 | 5217841 | Roll Pin | 4×20mm | 1 |
| 1314 | F004045 | Dowel Pin | 6×20mm | 1 |
| 1315 | D330B-8201-1 | Steady Rest Base | | 1 |
| 1316 | D330A-8210 | Clamp Block | | 1 |
| 1317 | GH1440B-1317 | T-Bolt | M12X60 | 1 |
| 1318 | TS-1540081 | Hex Nut | M12 | 1 |
| 1319 | TS-2360121 | Flat Washer | 12mm | 1 |
| 1401 | TS-209203 | Roll Pin | 3X20 | 2 |
| 1402 | D330A-8205 | Pinned Knob | | 2 |
| 1403 | D330A-8207 | Collar | | 2 |
| 1404 | D330A-8304 | Jack Screw | | 2 |
| 1405 | D330A-8303 | Finger Slide | | 2 |
| 1406 | D330A-8209 | Brass Finger | | 2 |
| 1407 | TS-1523031 | Socket Set Screw | M6X10 | 2 |
| 1408 | TS-1540041 | Hex Nut | M6 | 2 |
| 1409 | F010438 | Socket Set Screw DP | M6×16 | 2 |
| 1410 | D330A-8301-1 | Follow Rest Body | | 1 |
| 1411 | TS-1504081 | Hex Socket Cap Screw | M8×40 | 2 |

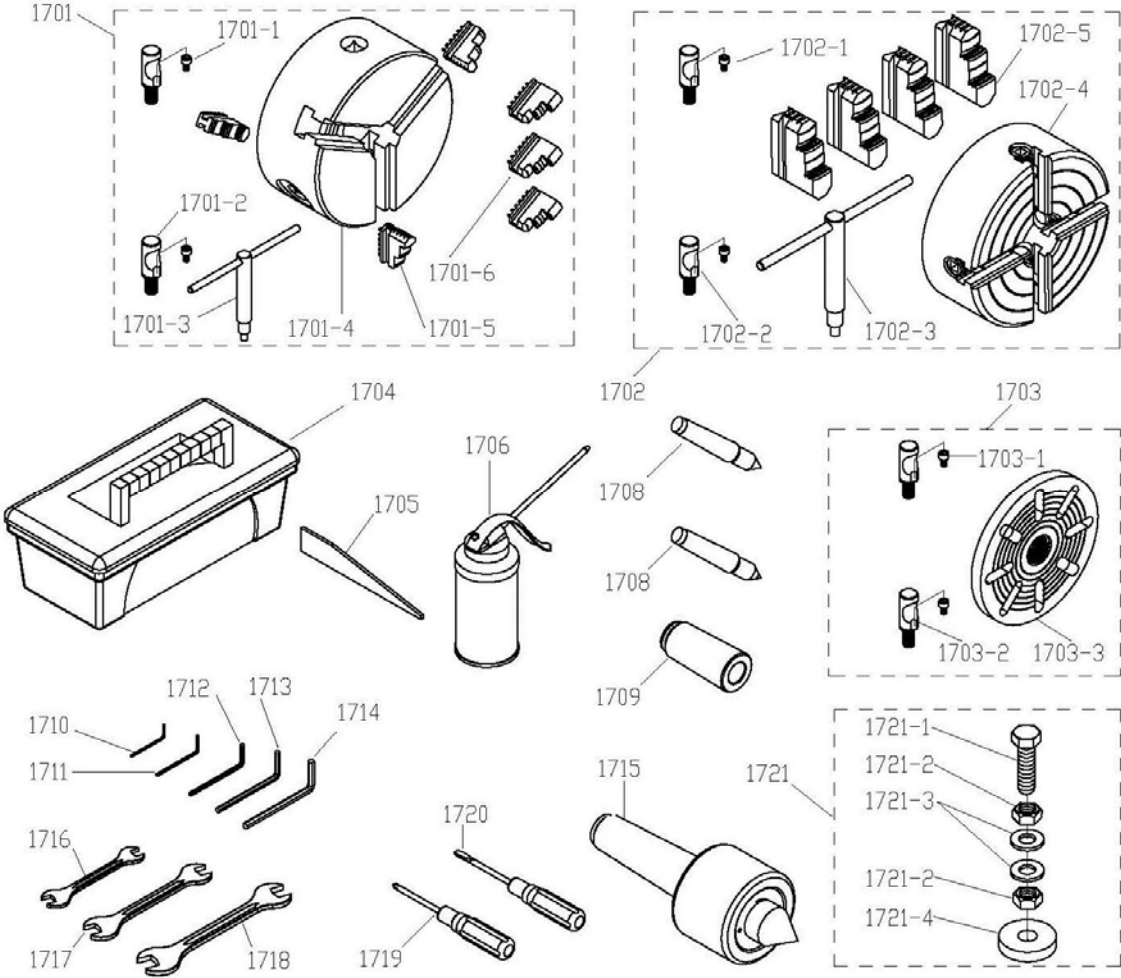
13.14.1 Chuck and Leadscrew Guards – Exploded View



13.14.2 Chuck and Leadscrew Guards – Parts List

| Index No. | Part No. | Description | Size | Qty |
|-----------|----------------|----------------------|--------|-----|
| 1501 | TS-1540041 | Hex Nut | M6 | 1 |
| 1502 | F010438 | Socket Set Screw DP | M6 ×16 | 1 |
| 1503 | D330A-71101 | Switch Box | | 1 |
| 1504 | TS-1503101 | Hex Socket Cap Screw | M6×45 | 2 |
| 1505 | D330A-71203 | Shaft | | 1 |
| 1506 | 701-118 | Roll Pin | 4×25 | 1 |
| 1507 | D330A-71204A-1 | Chuck Guard | | |
| 1508 | D330A-71402 | Acrylic Plate | | 1 |
| 1509 | TS-1540011 | Hex Nut | M3 | 4 |
| 1510 | TS-2361031 | Spring Washer | 3mm | 4 |
| 1511 | TS-1550011 | Flat Washer | 3mm | 4 |
| 1512 | WRT2000-38 | Pan Head Screw | M3X12 | 4 |
| 1513 | TS-1540041 | Hex Nut | M6 | 2 |
| 1514 | TS-1550041 | Flat Washer | 6mm | 4 |
| 1515 | GH1440B-1515 | Handle | | 2 |
| 1516 | TS-1534042 | Pan Head Screw | M6X12 | 4 |
| 1601 | D330B-1030G | Left Bracket | | 1 |
| 1602 | TS-1502021 | Hex Socket Cap Screw | M5×10 | 2 |
| 1603 | D330A-F7001 | Spring Sleeve | | 2 |
| 1604 | D330A-1034 | Cover LH | | 1 |
| 1605 | TS-1503031 | Hex Socket Cap Screw | M6×12 | 8 |
| 1606 | D330A-1033 | Bracket Plate | | 2 |
| 1608 | D330B-1029G | Cover RH | | 1 |
| 1609 | D330A-1031 | Right Bracket | | 1 |

13.15.1 Accessories – Exploded View



13.15.2 Accessories – Parts List

| Index No. | Part No. | Description | Size | Qty |
|-----------|----------------|---------------------------|----------|-----|
| 1701 | GH1440B-1701 | 3-Jaw Chuck Assembly | 200MM-D5 | 1 |
| 1701-1 | TS-1503051 | Hex Socket Cap Screw | M6X20 | 6 |
| 1701-2 | D330D-81201 | Camlock Stud | | 6 |
| 1701-3 | GH1440B-1701-3 | 3-Jaw Chuck Key * | | 1 |
| 1701-4 | GH1440B-1701-4 | 3-Jaw Chuck Body | | 1 |
| 1701-5 | GH1440B-1701-5 | Internal Jaws 3PC Set | | 1 |
| 1701-6 | GH1440B-1701-6 | Reverse Jaws 3PC Set * | | 1 |
| 1702 | GH1440B-1702 | 4-Jaw Chuck Assembly | 200MM-D5 | 1 |
| 1702-1 | TS-1503051 | Hex Socket Cap Screw | M6X20 | 6 |
| 1702-2 | D330D-81201 | Camlock Stud | | 6 |
| 1702-3 | GH1440B-1702-3 | 4-Jaw Chuck Key * | | 1 |
| 1702-4 | GH1440B-1702-4 | 4-Jaw Chuck Body | | 1 |
| 1702-5 | GH1440B-1702-5 | Jaws 4PCS Set | | 1 |
| 1703 | GH1440B-1703 | Face Plate Assembly | 250MM | 1 |
| 1703-1 | TS-1503051 | Hex Socket Cap Screw | M6X20 | 6 |
| 1703-2 | D330D-81201 | Camlock Stud | | 6 |
| 1703-3 | 330D-81103 | Face Plate | | 1 |
| 1704 | GH1440B-TBCP | Tool Box | | 1 |
| 1705 | D330B-F5001 | Drift Key * | | 1 |
| 1706 | GH1440B-1707 | Oil Gun * | | 1 |
| 1708 | GH1440B-1708 | Dead Center MT4 * | MT4 | 2 |
| 1709 | GH1440B-1709 | Tapered Reducing Sleeve * | MT6-MT4 | 1 |
| 1710 | JLH610-901 | Hex Wrench 2MM * | 2MM | 1 |
| 1711 | TS-152704 | Hex Wrench 3MM * | 3MM | 1 |
| 1712 | TS-152705 | Hex Wrench 4MM * | 4MM | 1 |
| 1713 | TS-152706 | Hex Wrench 5MM * | 5MM | 1 |
| 1714 | TS-152707 | Hex Wrench 6MM * | 6MM | 1 |
| 1715 | GH1440B-1715 | Live Center MT4 * | MT4 | 1 |
| 1716 | JBOS5-106 | Open End Wrench * | 10-12MM | 1 |
| 1717 | JBOS5-105 | Open End Wrench * | 14-17MM | 1 |
| 1718 | 6295508 | Open End Wrench * | 17-19MM | 1 |
| 1719 | ZX-OP-15 | Cross Point Screwdriver * | 3" | 1 |
| 1720 | ZX-OP-14 | Flat Blade Screwdriver * | 3" | 1 |
| 1721 | GH1440B-1721 | Sizing Block Assembly * | | 6 |
| 1721-1 | F008920 | Hex Cap Bolt * | M14x50 | 6 |
| 1721-2 | TS-154009 | Hex Nut * | M14 | 12 |
| 1721-3 | TS-155009 | Flat Washer * | 14MM | 12 |
| 1721-4 | 330A-14301 | Flat Washer, spcl * | | 6 |

* included in GH1440B-TBCP, Tool Box Complete