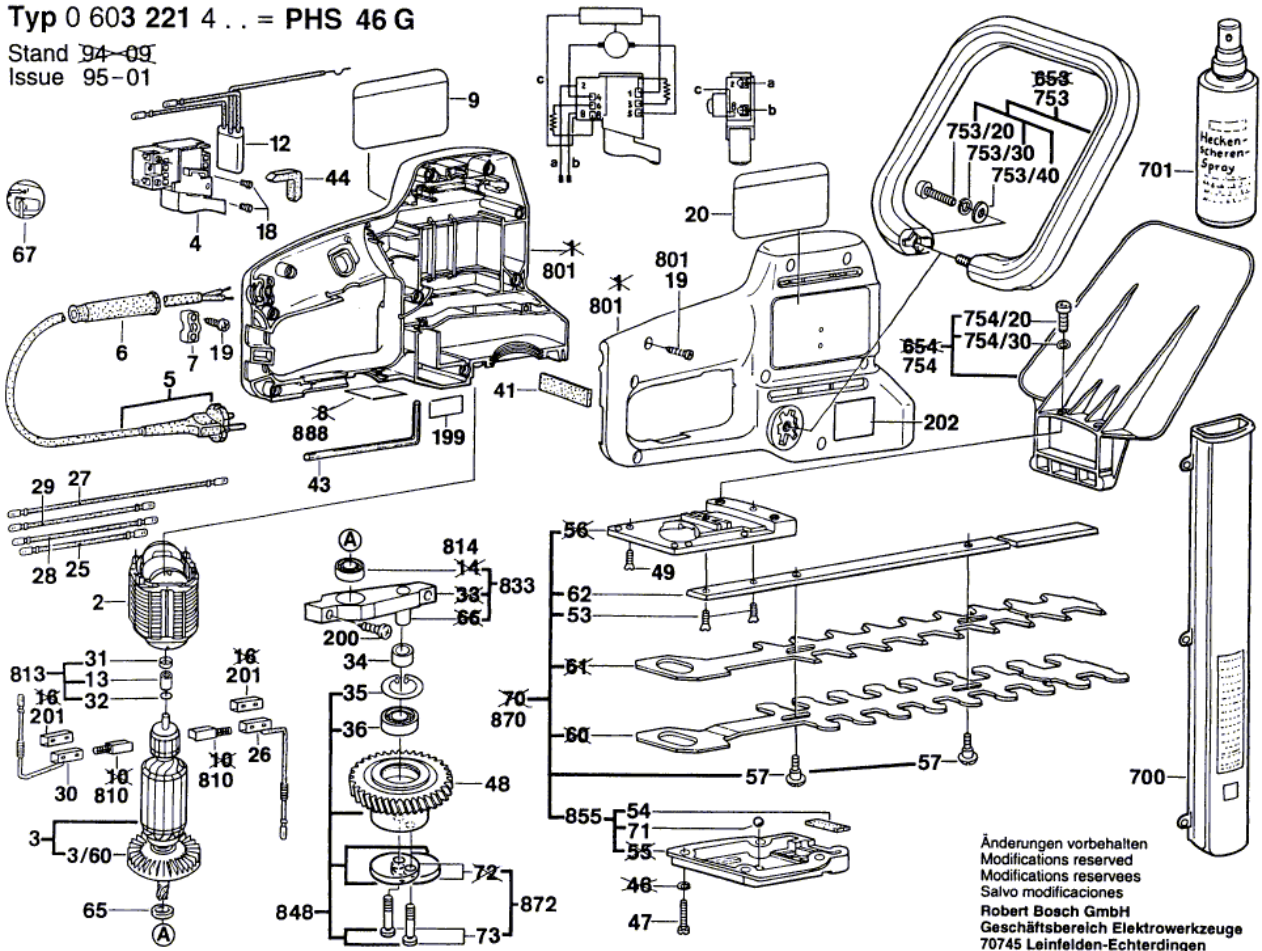


Typ 0 603 221 4 .. = PHS 46 G

Stand ~~94-09~~
Issue 95-01



Änderungen vorbehalten
Modifications reserved
Modifications reserves
Salvo modificaciones
Robert Bosch GmbH
Geschäftsbereich Elektrowerkzeuge
70745 Leinfelden-Echterdingen

Pos.	Part Number	Description	Pos.	Part Number	Description
1	2 605 104 256	Housing Section			
2	2 604 220 432	Field			
3	2 604 010 603	Armature			
3/60	2 606 610 027	Fan			
4	2 607 200 134	On-Off Switch			
5	2 604 460 156	Power supply cord			
6	2 600 703 008	Grommet			
7	2 601 035 001	Cable Clip			
9	2 601 110 926	Sticker			
18	2 603 410 001	Socket head cap screw			
19	2 603 490 022	Torx Oval-Head Screw			
20	2 601 110 925	Sticker			
25	2 604 448 045	Connecting Cable			
26	2 604 448 030	Cable			
28	2 604 448 112	Connector Cable			
31	1 600 205 023	Felt Washer			
32	1 610 210 014	O-Ring			
34	2 600 200 023	Spacer Ring			
35	2 916 660 012	Spring retaining ring			
36	2 600 905 028	Deep-Groove Ball Bearing			
41	2 601 005 008	Felt Strip			
43	1 907 950 006	Offset Screwdriver			
44	2 601 022 000	Damping Plate			
46	2 916 690 003	Spring Lock Washer			
47	2 603 410 018	Pan head screw			
48	2 606 320 039	Overload Clutch			
49	2 910 871 122	Countersunk-Head Screw			
53	2 603 421 006	Countersunk-Head Screw			
54	2 601 005 002	Felt Strip			
57	2 603 413 031	Thread-forming tap. Screw			
57	2 603 413 004	Pan head screw			
62	2 601 038 029	Guide			
62	2 601 038 006	Guide			
65	2 600 209 003	Spacer Ring			
71	1 903 230 007	Ball			
73	2 603 123 018	Driving Pin			
200	2 603 490 024	Torx Oval-Head Screw			
201	2 604 330 016	Brush Holder			
202	1 601 110 449	Nameplate			
700	1 605 411 023	Dust Bag			
701	1 609 200 399	Oil Spray Tin			
753	2 602 025 059	Auxiliary Handle			
753/20	2 910 141 201	Hex Socket Head Cap Screw			
753/30	2 916 690 005	Spring Lock Washer			
754	2 607 001 042	Protective Shield			
754/20	2 910 141 197	Hex Socket Head Cap Screw			
754/30	2 916 061 007	Spring Washer			
810	2 604 321 909	Carbon-Brush Set			
813	1 600 301 900	Sintered-Metal Bushing			
814	2 600 905 039	Deep-Groove Ball Bearing			
833	2 605 807 910	Bearing Bracket			
848	2 606 320 900	Overload Clutch			
855	2 605 500 904	Gear Cover			
855	2 605 500 904	Gear Cover			
870	2 607 001 120	Set Of Blades			
870	2 607 001 118	Set Of Blades			
872	2 600 030 900	Eccentric Disc			
888	1 601 106 032				