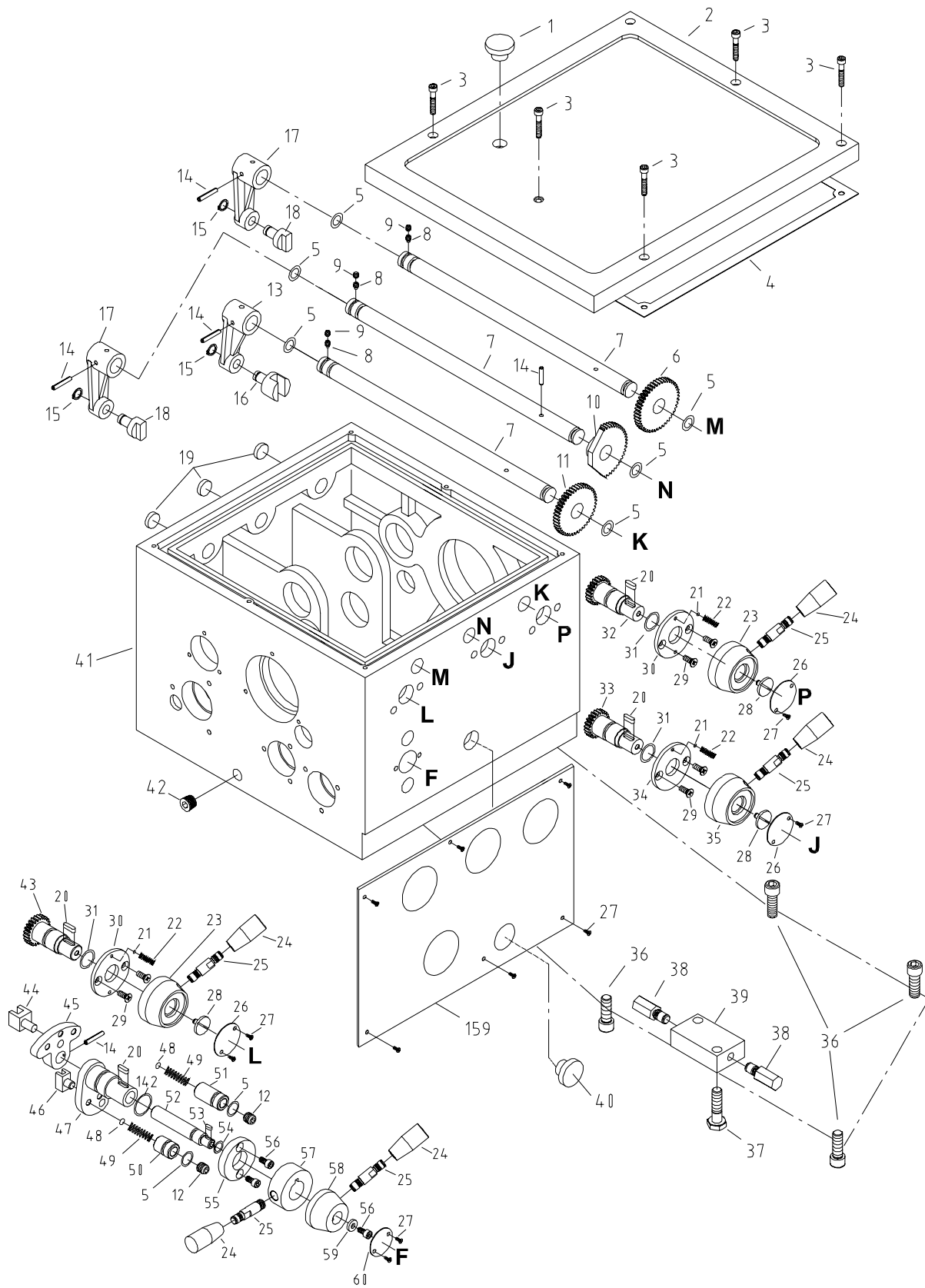


# Headstock Assembly I

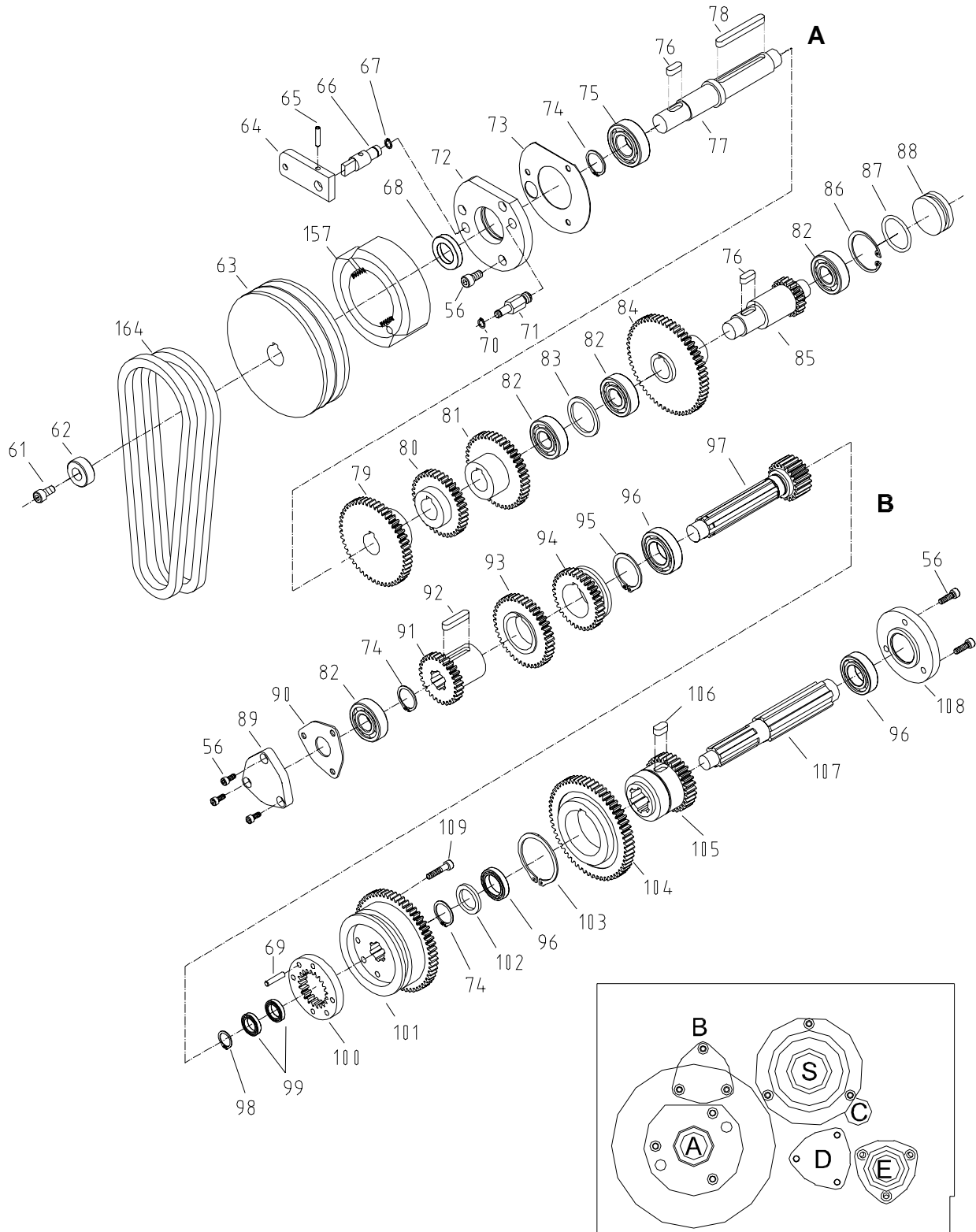


## Headstock Assembly I

Index No.	Part No.	Description	Size	Qty
1	GH1340A-04-06	Plug		1
2	GH1440W-04-60	Headstock Cover		1
3	TS-1503081	Hex Socket Cap Screw	M6x35	6
4	GH1440W-04-61	Gasket		1
5	GB3452.1-14X2.65	O-Ring	14x2.65	8
6	GH1440W-04-38	Gear	38T	1
7	GH1440W-04-41	Shaft		3
8	GB75-M6x10	Set Screw	M6x10	3
9	GB77-M6x6	Set Screw	M6x6	3
10	GH1440W-04-37	Gear	48T	1
11	GH1440W-04-36	Gear	43T	1
12	GB77-M12x12	Set Screw	M12x12	2
13	GH1440W-04-43	Shift Arm		1
14	GB879-5X30	Spring Pin	5x30	7
15	GB894.2-12	Retainer Ring	12	3
16	GH1440W-04-45	Shift Fork		1
17	GH1440W-04-35	Shift Arm		2
18	GH1440W-04-44	Gear Shifter		2
19	GH1440W-04-10	Plug		3
20	GB1096-5X16	Key	5x16	4
21	GB308-SB8	Steel Ball	8	5
22	C6240-20018	Spring		5
23	GH1440W-04-49	Handle Body		2
24	GB4141.14-BM10X50	Handle Cap		5
25	GH1440W-04-34	Handle Lever		5
26	C6240-20001	Lever Name Plate		3
27	TS-1531012	Pan Head Machine Screw	M3x6	14
28	GH1440W-04-59	Screw		3
29	TS-1503031	Screw	M6x12	6
30	GH1440W-04-50	Position Plate		2
31	GB3452.9-19X2.65	O-Ring	19x2.65	3
32	GH1440W-04-40	Gear Shaft	22T	1
33	GH1440W-04-42	Gear Shaft	17T	1
34	GH1440W-04-51	Position Plate		1
35	GH1440W-04-48	Handle Body		1
36	TS-1506041	Hex Socket Cap Screw	M12x35	4
37	GB5782-M10x40	Alignment Bolt	M10x40	2
38	GH1440W-04-62	Alignment Bolt		2
39	GH1440W-04-63	Alignment Block		1
40	GB1160.1-89	Oil Sight Glass	20	1
	GHW1160-20A	Oil Sight Glass (serial no. 1002W2659W and higher)	M20x1.5	1
41	GH1440W-04-01	Headstock Casting (14")		1
	GH1340W-04-01	Headstock Casting (13")		1
42	05-75	Drain Plug		1
43	GH1440W-04-39	Gear Shaft	27T	1
44	GH1440W-04-47	Shaft Fork		1
45	GH1440W-04-72	Shifting Crank		1
46	GH1440W-04-71	Shaft Fork		1
47	GH1440W-04-56	Shifting Crank		1
48	GB308-SB9	Steel Ball	9	2
49	GH1440W-49	Spring		2
50	GH1440W-04-52	Shaft		1
51	GH1440W-04-54	Shaft		1
52	GH1440W-04-53	Shaft		1
53	GB1096-4X10	Key	4x10	1
54	GB3452.9-10.6X2.65	O-Ring	10.6x2.65	1

<b>Index No.</b>	<b>Part No.</b>	<b>Description</b>	<b>Size</b>	<b>Qty</b>
55	GH1440W-04-55	Collar		1
56	TS-1503031	Hex Socket Cap Screw	M6x12	18
57	GH1440W-04-57	Collar		1
58	GH1440W-04-58	Handle Body		1
59	04-62	Washer		1
60	04-90	Indicator Disk		1
142	GB3452.9-25X2.65	O-Ring	.25x2.65	3
159	GH1340W-04-02	Name Plate		1
	GH1440W-04-02	Name Plate		1
	GH-1340W-3J.B.S	3-Jaw Chuck (not shown)		1
	GH-1340W-4J.B.S	4-Jaw Chuck (not shown)		1

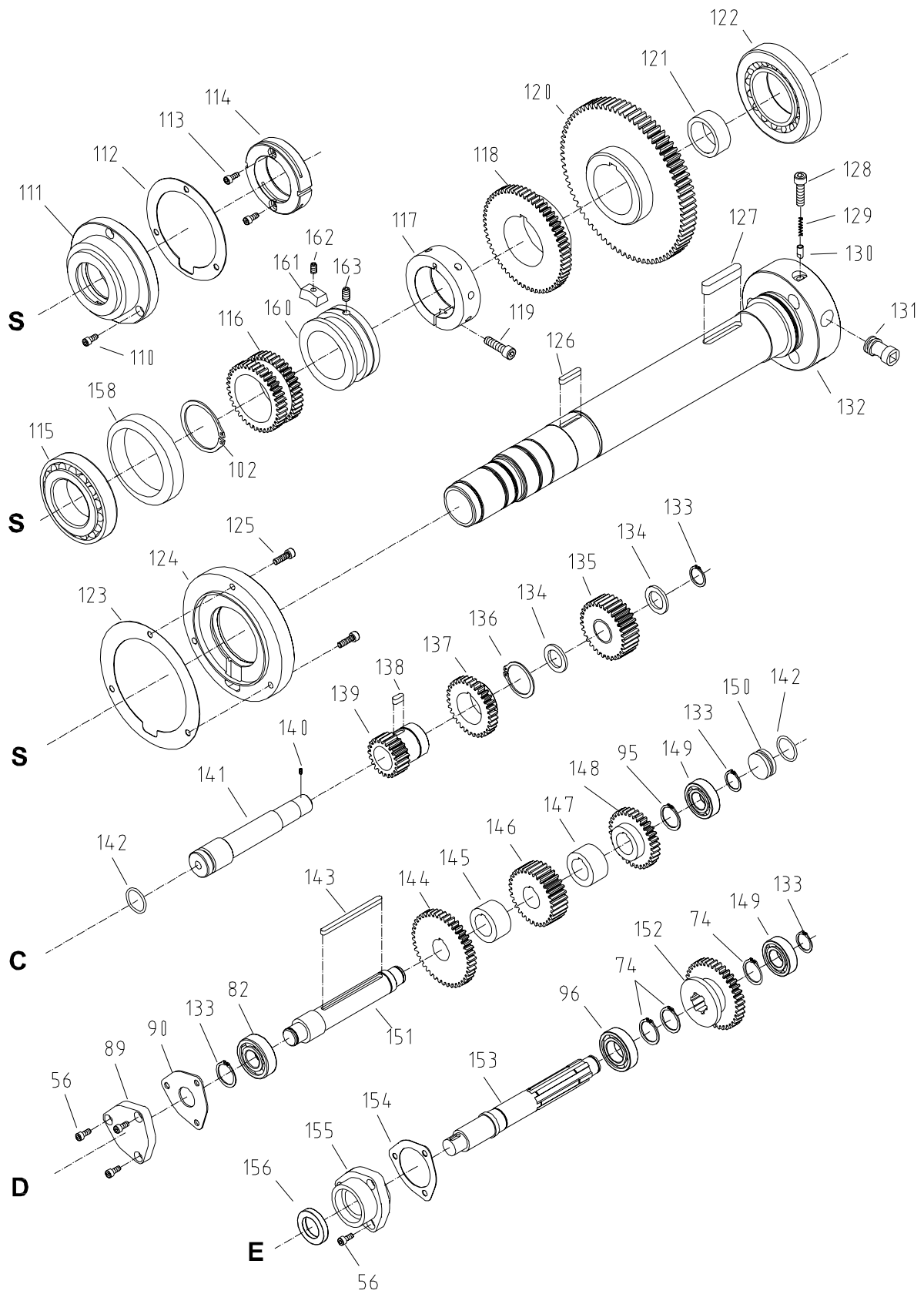
# Headstock Assembly II



## Headstock Assembly II

Index No.	Part No.	Description	Size	Qty
56	TS-1503031	Hex Socket Cap Screw	M6x12	18
61	TS-1504041	Hex Socket Cap Screw	M8x20	1
62	04-12	Washer		1
63	04-11	Pulley		1
64	11-10	Break Block		1
65	GB879-5X16	Pin	5x16	1
66	11-09	Brake Actuator Shaft		1
67	GB894.2-12	Retainer Ring	12	1
68	GB9877.1-SD25X45X7	Spacer	SD25x45x7	1
69	GB117-A6X26	Pin	A6x26	2
70	GB894.2-8	Retainer Ring	8	1
71	11-11	Brake Retainer Stud		1
72	04-13	Cover		1
73	04-14	Gasket		1
74	GB894.2-25	Retainer Ring	25	6
75	GB/T276-6205	Ball Bearing	6205/p5	1
76	GB1096-8X20	Key	8x20	2
77	GH1440W-04-03	Shaft		1
78	GB1096-8X72	Key	8x72	1
79	GH1440W-04-04	Gear	50T	1
80	GH1440W-04-05	Gear	37T	1
81	GH1440W-04-06	Gear	43T	1
82	GB/T276-6204	Ball Bearing	6204/p5	5
83	GH1440W-04-17	Washer		1
84	GH1440W-04-12	Gear	57T	1
85	GH1440W-04-11	Gear Shaft	20T	1
86	GB893.1-47	Retainer Ring	47	1
87	GB3452.1-40X2.65	O-Ring	40x2.65	1
88	04-28	Plug		1
89	04-53	Bearing Cap		2
90	04-52	Bearing Cap Gasket		2
91	GH1440W-04-08	Gear	28T	1
92	GB1096-8X38	Key	8x38	1
93	GH1440W-04-09	Gear	41T	1
94	GH1440W-04-10	Gear	34T	1
95	GB894.2-40	Retainer Ring	40	1
96	GB/T276-6005	Ball Bearing	6005/p5	4
97	GH1440W-04-07	Gear Shaft	21T	1
98	GB894.2-17	Retainer Ring	17	1
99	GB/T276-61803	Ball Bearing	61803/p5	2
100	GH1440W-04-15	Gear	21T	1
101	GH1440W-04-14	Gear	58T	1
102	GH1440W-04-16	Washer		1
103	GB894.2-55	Retainer Ring	55	1
104	GH1440W-04-19	Gear	59T	1
105	GH1440W-04-18	Gear	31T	1
106	GB1096-10X18	Key	10x18	1
107	GH1440W-04-13	Spline Shaft		1
108	GH1440W-04-24	Cover		1
109	TS-1503081	Hex Socket Cap Screw	M6x35	4
157	11-15	Brake Shoe Assembly		1
164	VB-A73	V-Belt (GH-1340W-1/3 & GH-1440W-1)		2
	VB-A74	V-Belt (GH-1440W-3)		2

# Headstock Assembly III



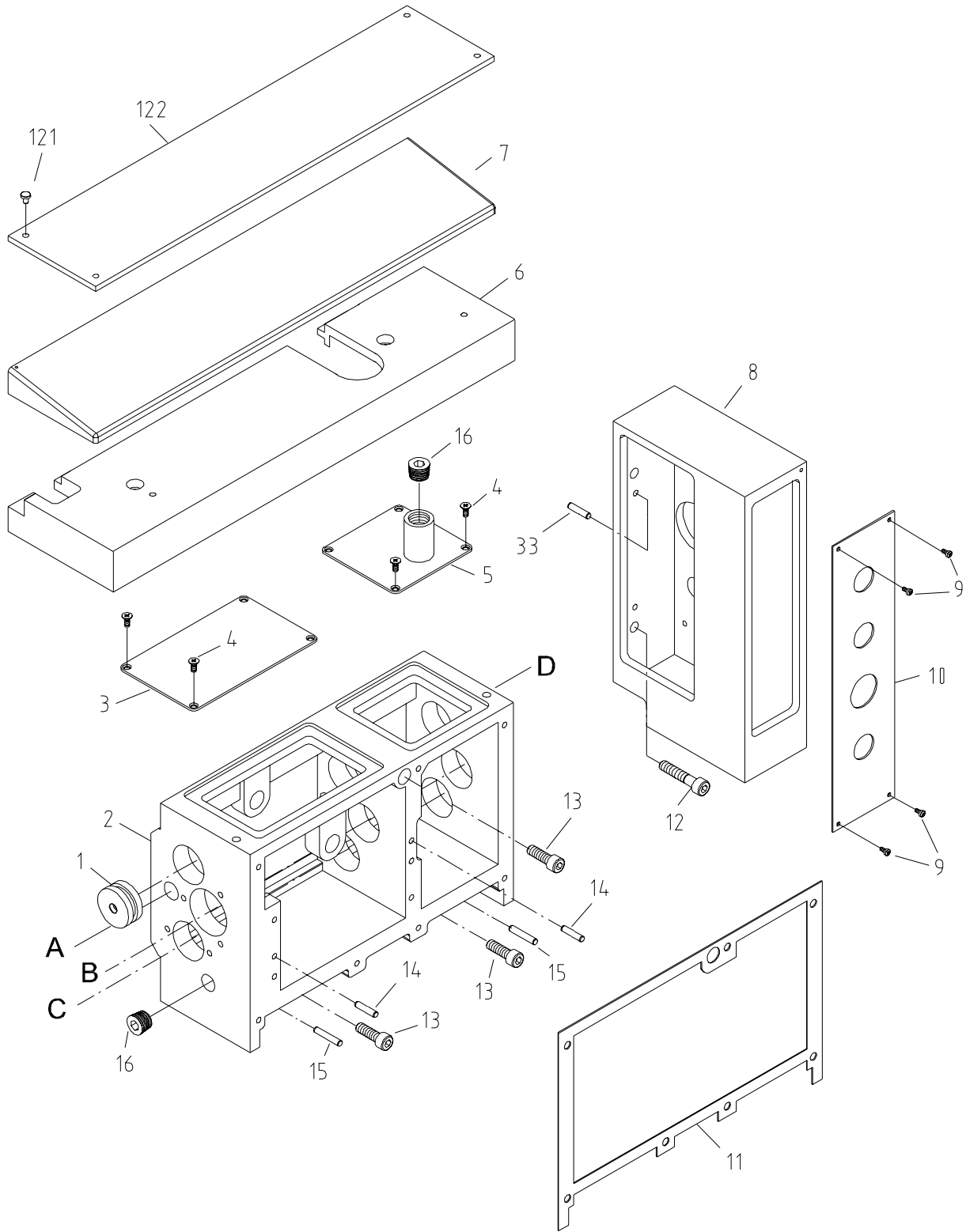
### Headstock Assembly III

Index No.	Part No.	Description	Size	Qty
56	TS-1503031	Hex Socket Cap Screw	M6x12	18
74	GB894.2-25	Retainer Ring	25	6
82	GB/T276-6204	Ball Bearing	6204/p5	5
89	04-53	Bearing Cap		2
90	04-52	Bearing Cap Gasket		2
95	GB894.2-40	Retainer Ring	40	1
96	GB/T276-6005	Ball Bearing	6005/p5	4
102	GH1440W-04-16	Washer		1
110	TS-1503041	Hex Socket Cap Screw	M6x16	3
111	GH1440W-04-29	Cover		1
112	04-60	Gasket		1
113	TS-1502031	Hex Socket Cap Screw	M5x12	2
114	GH1440W-04-31	Nut		1
115	GB/T297-32011	Tapered Roller Bearing	32011/p5	1
116	GH1440W-04-30	Gear	38T	1
117	GH1440W-04-27	Lock Collar		1
118	GH1440W-04-21	Gear	59T	1
119	TS-1504061	Hex Socket Cap Screw	M8x30	1
120	GH1440W-04-23	Gear	87T	1
121	GH1440W-04-25	Collar		1
122	GB/T297-30212	Tapered Roller Bearing	30212/p5	1
123	GH1440W-04-32	Gasket		1
124	GH1440W-04-28	Cover		1
125	TS-1503051	Hex Socket Cap Screw	M6x20	3
126	GB1096-6X30	Key	6x30	1
127	GB1096-10X55	Key	10x55	1
128	TS-1504031	Hex Socket Cap Screw	M8x16	3
129	04-31/1	Spring		3
130	04-86	Camlock Set Pin		3
131	04-85	Camlock		3
132	GH1440W-04-22	Spindle		1
133	GB894.2-20	Retainer Ring	20	4
134	04-36	Spacer		2
135	04-35	Gear	32T	1
136	GB894.2-37	Retainer Ring	37	1
137	04-54	Gear	32T	1
138	GB1096-5X16	Key	5x16	1
139	04-55	Gear	32T	1
140	TS-1523041	Set Screw	M6x12	1
141	04-37	Shaft		1
142	GB3452.9-25X2.65	O-Ring	25x2.65	3
143	04-47/1	Key	6x90	1
144	04-46	Gear	42T	1
145	04-45	Collar		1
146	04-44	Gear	32T	1
147	04-39	Collar		1
148	04-41	Gear	32T	1
149	GB/T276-6004	Ball Bearing	6004/p5	2
150	GH1440W-04-33	Plug		1
151	04-47	Shaft (D)		1
152	04-43	Gear	38T	1
153	04-42	Spline Shaft (E)		1
154	04-48	Housing Gasket		1
155	04-49	Housing		1
156	GB9877.1-SD25X40X7	Spacer	SD25x40x7	1
158	GH1440W-04-65	Collar		1

<b>Index No.</b>	<b>Part No.</b>	<b>Description</b>	<b>Size</b>	<b>Qty</b>
160	GH1440W-04-66	Balance Space		1
161	GH1440W-04-67	Balance Block		1
162	TS-1523041	Set Screw	M6x12	1
163	TS-1524031	Set Screw	M8x12	1



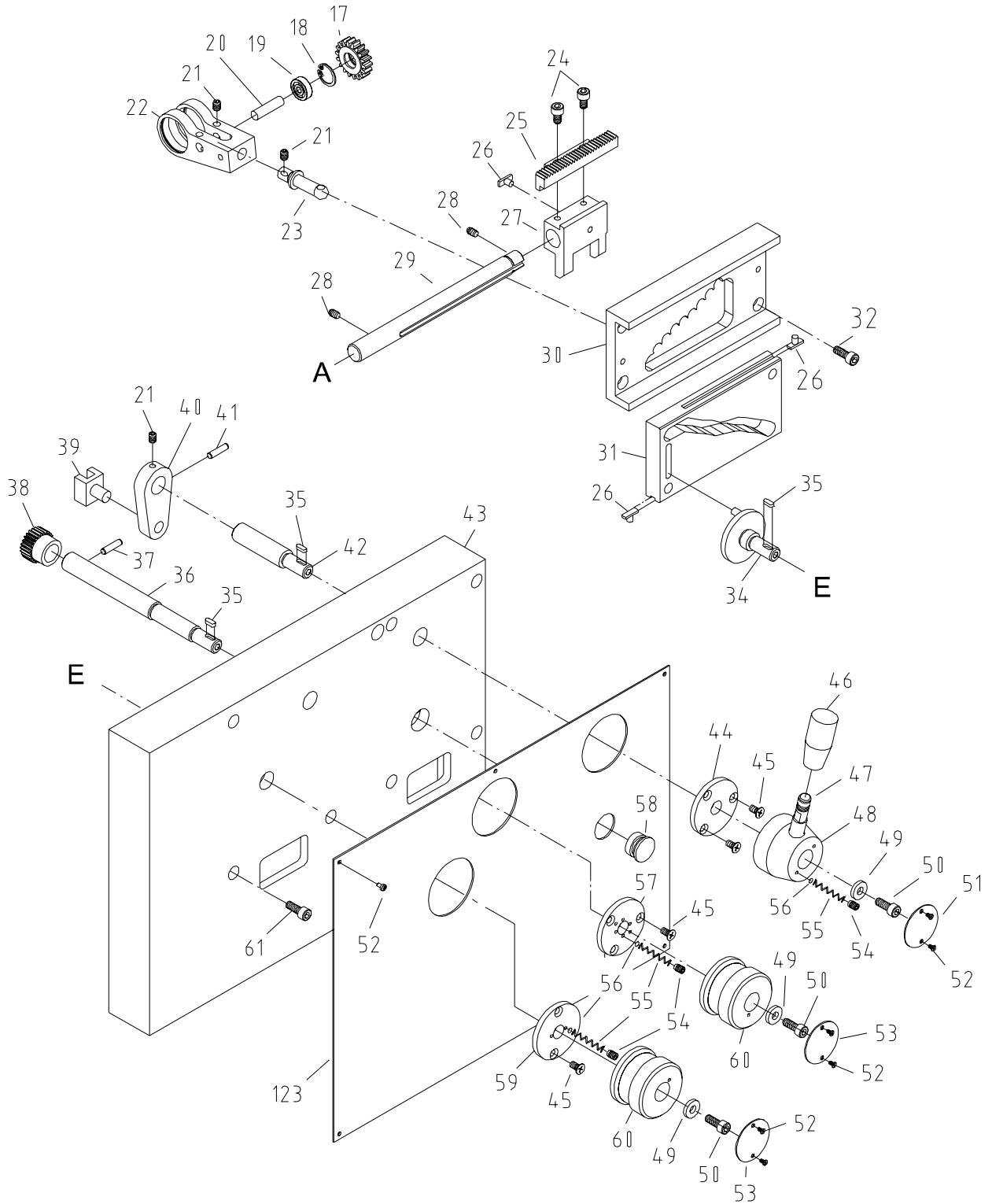
# Gearbox Assembly I



## Gearbox Assembly I

Index No.	Part No.	Description	Size	Qty
1	05-73	Plug		1
2	GH1440W-05-06	Gearbox Casting		1
3	05-07	Front Cover		1
4	TS-1532032	Flat Head Machine Screw	M4x10	8
5	GH1440W-05-26	Oil Cover (14")		1
	GH1340W-05-26	Oil Cover (13")		1
6	GH1440W-05-07/1	Cover (14")		1
	GH1340W-05-07/1	Cover (13")		1
7	GH1440W-05-08	Top Cover		1
8	GH1440W-05-09	Bracket		1
9	TS-1531012	Pan Head Machine Screw	M3x6	4
10	GH1440W-05-11	Electrical Plate		1
11	05-61	Gearbox Gasket		1
12	TS-1504081	Hex Socket Cap Screw	M8x40	2
13	TS-1504051	Hex Socket Cap Screw	M8x25	3
14	GH1440W-14	Pin	5x20	2
15	GH1440W-15	Pin	5x28	2
16	05-75	Plug		2
33	GB118-A8X30	Pin	A8x30	2
121	GB867-2X4	Rivet	2x4	4
122	GH-1440W-05-12/1	Speed Chart		1

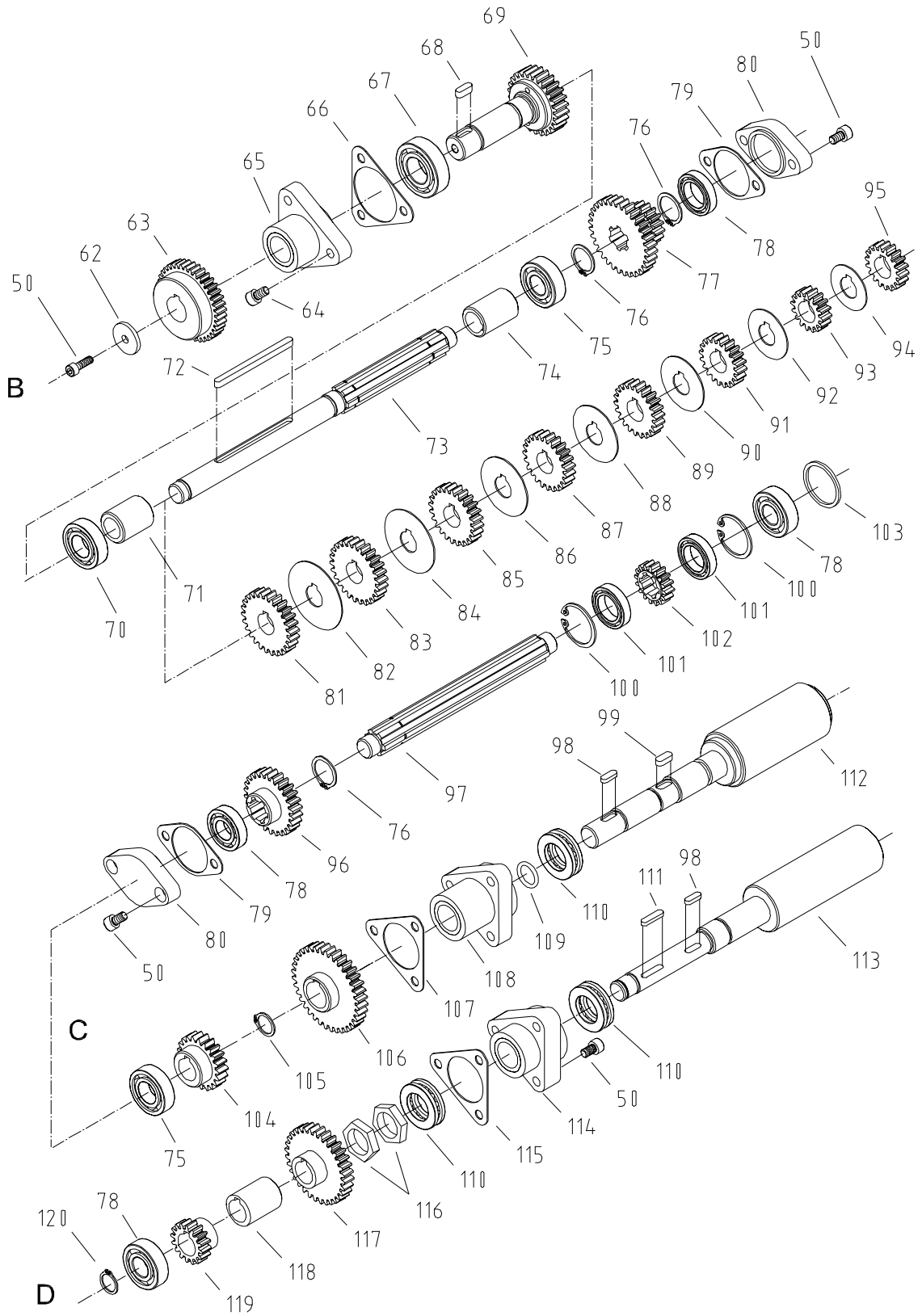
# Gearbox Assembly II



## Gearbox Assembly II

Index No.	Part No.	Description	Size	Qty
17	05-49	Gear	16T	1
18	GH893.1-19	Retainer Ring	19	1
19	GB/T276-6198	Bearing	6198/p5	1
20	05-51	Shaft		1
21	TS-1523021	Set Screw	M6x8	4
22	05-03	Shifter		1
23	05-02	Shaft		1
24	TS-1503051	Hex Socket Cap Screw	M6x20	2
25	05-13	Rack		1
26	05-01	Shift Key		3
27	05-12	Shift Fork		1
28	TS-1523021	Set Screw	M6x8	2
29	05-15	Shaft		1
30	05-05	Locating Plate		1
31	05-04	Control Plate		1
32	TS-1503031	Hex Socket Cap Screw	M6x12	4
33	GB118-A8X30	Pin	A8x30	2
34	05-60	Shift Hub		1
35	GB1096-4X10	Key	4x10	3
36	GH1440W-05-02	Shaft		1
37	GB879-5X20	Pin	5x20	1
38	05-14	Gear	26T	1
39	05-55	Shift Fork		1
40	05-56	Shift Lever		1
41	GB879-5X20	Pin	5x20	1
42	GH1440W-05-03	Shaft		1
43	GH1440W-05-01	Cover		1
44	05-58	Locating Disk		1
45	GB819-M5X10	Flat Head Machine Screw	M5x10	8
46	GB4141.14-BM10X50	Knob		1
47	GH1440W-05-15	Handle Shaft		1
48	GH14440W-05-14	Shift Hub		1
49	05-08	Washer		3
50	TS-1503041	Hex Socket Cap Screw	M6x16	14
51	04-90	Indicator Disk		1
52	TS-1531012	Pan Head Machine Screw	M3x6	12
53	05-70	Indicator Disk		2
54	TS-1524011	Set Screw	M8x8	4
55	GH1440W-05-72	Spring		4
56	GB308-SB6.5	Steel Ball	6.5	4
57	05-10	Locating Disk		1
58	GH1440W-05-27	Oil Sight Glass		1
	GHW1160-16A	Oil Sight Glass (serial no. 1007W2720W and higher)	M16x1.5	1
59	05-59	Locating Disk		1
60	GH1440W-05-13	Shift Hub		2
61	TS-1503081	Hex Socket Cap Screw	M6x35	7
123	GH1440W-05-10-1	Name Plate (1 Phase)		1
	GH1440W-05-10-3	Name Plate (3 Phase)		1
	GH1340W-05-10-1	Name Plate (1 Phase)		1
	GH1340W-05-10-3	Name Plate (3 Phase)		1

# Gearbox Assembly III

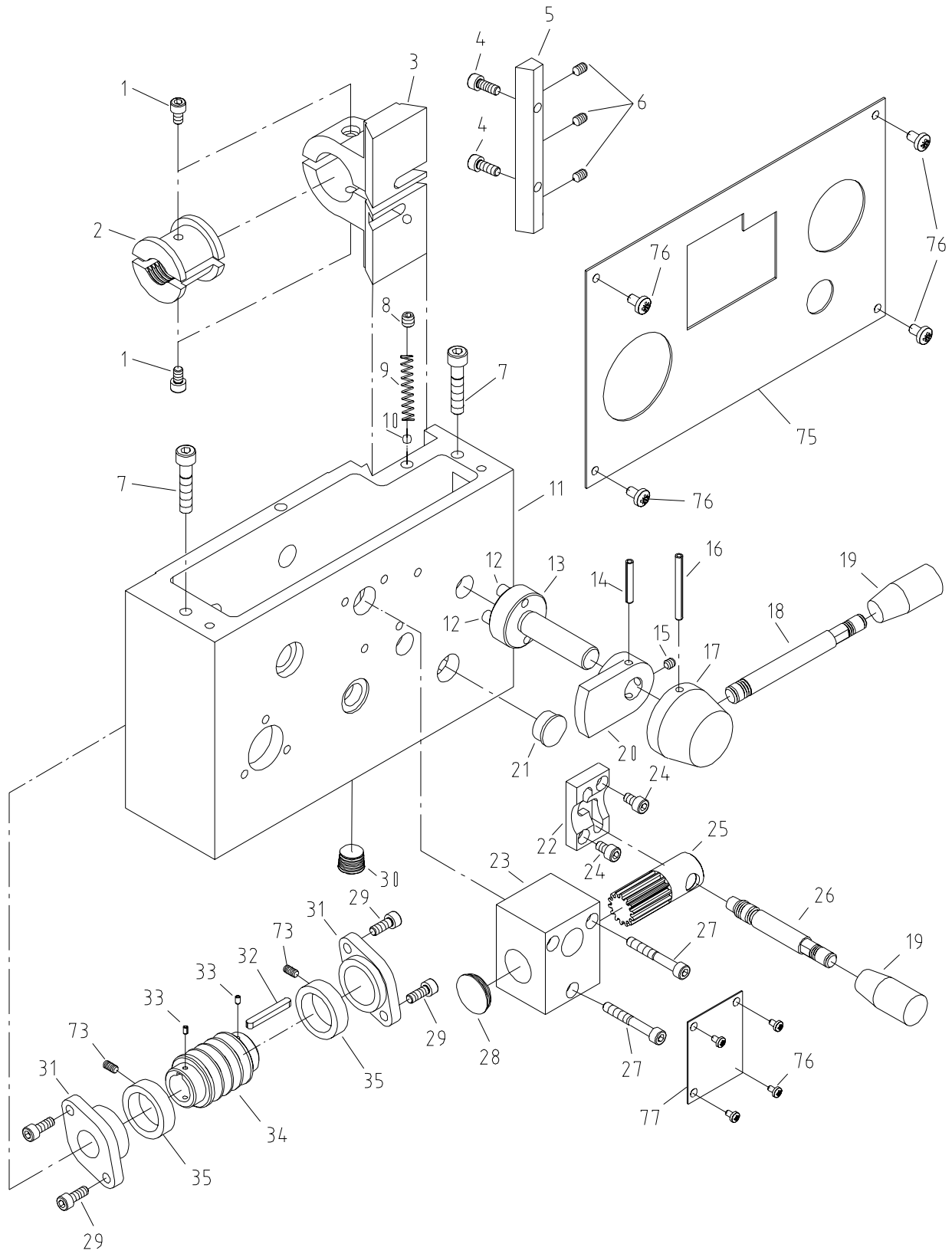


### Gearbox Assembly III

Index No.	Part No.	Description	Size	Qty
50	TS-1503041	Hex Socket Cap Screw	M6x16	14
62	05-42	Washer		1
63	05-41	Gear	50T	1
64	TS-1503051	Hex Socket Cap Screw	M6x20	3
65	05-39	Flange		1
66	05-38	Gasket		1
67	GB/T276-6004	Ball Bearing	6004/P5	1
68	GB1096-5X14	Key	5x14	1
69	05-40	Gear Shaft Assembly		1
70	GB/T276-6002	Ball Bearing	6002/p5	1
71	05-36	Shaft Collar		1
72	GB1096-5X75	Key	5x75	1
73	05-27	Shaft		1
74	05-67	Shaft Collar		1
75	GB/T276-6003	Ball Bearing	6003/p5	2
76	GB894.1-20	Retainer Ring	20	3
77	05-21	Gear	16T/32T	1
78	GB/T276-6202	Ball Bearing	6202/p5	4
79	05-48	Gasket		2
80	05-47	Flange		2
81	05-35	Gear	28T	1
82	GH1440W-05-19	Washer		1
83	05-34	Gear	26T	1
84	GH1440W-05-20	Washer		1
85	05-33	Gear	24T	1
86	GH1440W-05-21	Washer		1
87	05-32	Gear	23T	1
88	GH1440W-05-22	Washer		1
89	05-31	Gear	22T	1
90	GH1440W-05-23	Washer		1
91	05-30	Gear	20T	1
92	GH1440W-05-24	Washer		1
93	05-29	Gear	18T	1
94	GH1440W-05-25	Washer		1
95	05-28	Gear	16T	1
96	05-37	Gear	26T	1
97	05-52	Spline Shaft		1
98	GB1096-5X14	Key	5x14	2
99	GB1096-6X14	Key	6x14	1
100	GB893.1-32	Retainer Ring	32	2
101	GB/T276-61804	Bearing	61804/p5	2
102	05-49	Gear	16T	1
103	GH1340A-05-66	Washer		1
104	05-25	Gear	21T	1
105	GB896-15	Retainer Ring	15	1
106	05-19	Gear	36T	1
107	05-53	Gasket		1
108	05-17	Flange		1
109	GB3452.1-15X2.65	O-Ring	15x2.65	1
110	GB301-8104	Ball Bearing	8104	3
111	GB1096-5X20	Key	5x20	1
112	GH1440W-05-04	Shaft		1
113	GH1440W-05-05	Shaft		1
114	05-18	Flange		1
115	05-53	Gasket		1
116	05-20	Nut		2

<b>Index No.</b>	<b>Part No.</b>	<b>Description</b>	<b>Size</b>	<b>Qty</b>
117.....	05-22.....	Gear.....	32T.....	1
118.....	05-24.....	Collar.....		1
119.....	05-26.....	Gear.....	16T.....	1
120.....	GB894.1-15.....	Retainer Ring.....		1

# Apron Assembly I

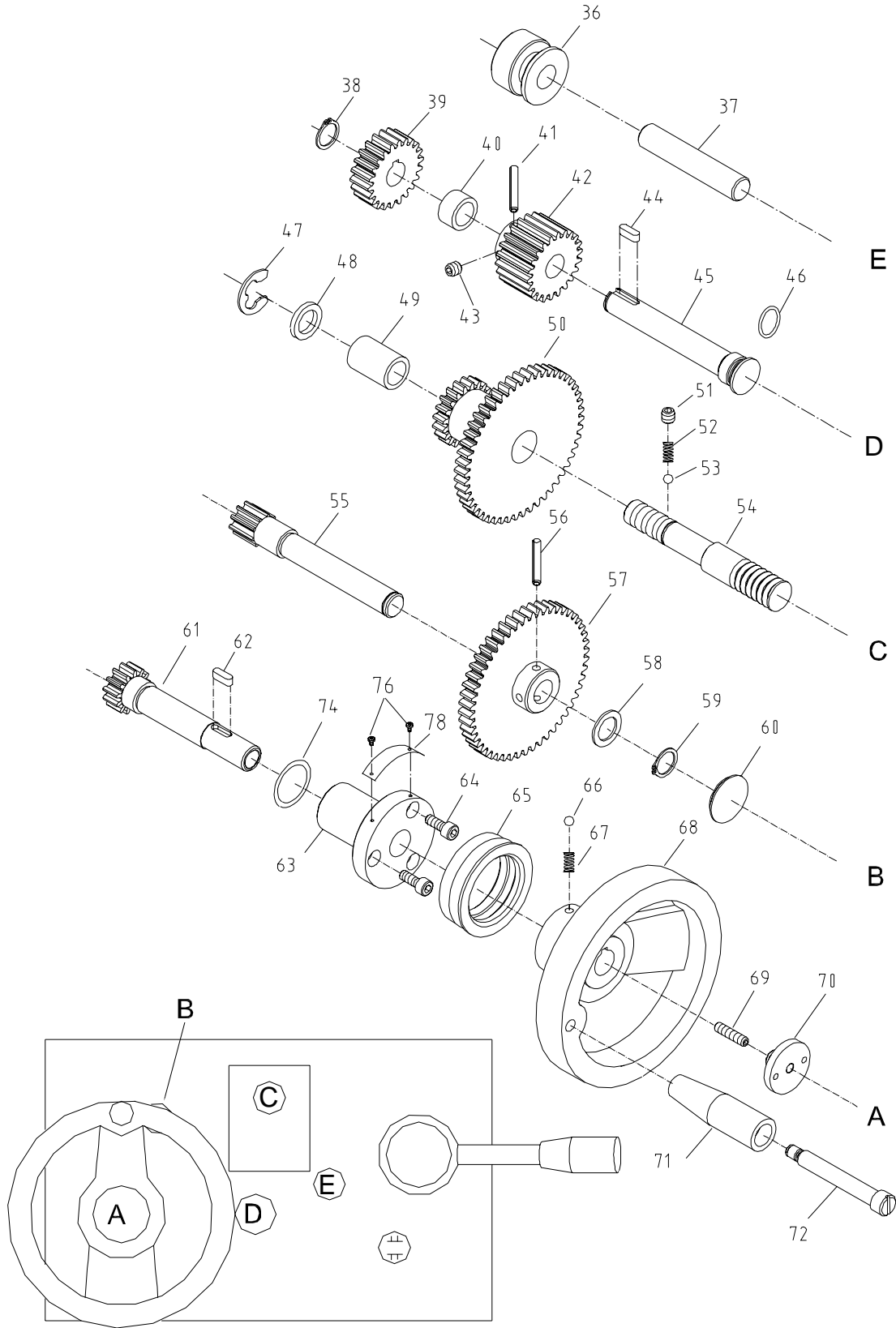




## Apron Assembly I

Index No.	Part No.	Description	Size	Qty
1	TS-1503021	Hex Socket Cap Screw	M6x10	2
2	06-37	Half Nut		1
3	06-36	Bracket		1
4	TS-1503041	Hex Socket Cap Screw	M6x16	2
5	06-33	Gib		1
6	TS-1523031	Set Screw	M6x10	3
7	TS-1504081	Hex Socket Cap Screw	M8x40	2
8	TS-1524011	Set Screw	M8x8	1
9	06-39	Spring		1
10	GB308-SB6	Steel Ball	6	1
11	06-01	Casting		1
12	06-42-1	Pin		2
13	06-42	Half Nut Cam		1
14	GB879-5X35	Pin	5x35	1
15	TS-1523011	Set Screw	M6x6	1
16	GB879-5X50	Pin	5x50	1
17	GH1440W-06-09	Hub		1
18	GH1440W-06-04	Handle Shaft		1
19	GB4141.14-BM10X50	Knob		2
20	06-40	Safety Catch		1
21	GB1160-12	Oil Sight Glass	12	1
	GHW1160-16A	Oil Sight Glass (serial no. 1007W2720W and higher)	M16x1.5	1
22	GH1340W-06-04	Bracket		1
23	06-16	Block		1
24	TS-1503031	Hex Socket Cap Screw	M6x12	2
25	GH1440W-06-07	Spline Shaft		1
26	GH1440W-06-08	Handle Shaft		1
27	TS-1503101	Hex Socket Cap Screw	M6x45	3
28	06-02	Plug		1
29	TS-1503041	Hex Socket Cap Screw	M6x16	4
30	06-35	Drain Plug		1
31	06-34	Flange		2
32	GB1096-5X56	Key	5x56	1
33	GB879-3X5	Pin	3x5	2
34	06-27	Worm		1
35	06-50	Collar		2
73	TS-1522031	Set Screw	M5x10	2
75	GH1440W-06-01	Apron Label		1
76	TS-1531012	Pan Head Screw	M3x6	10
77	GH1440W-06-03	Thread Dial Label		1
	GHW-AP-CA	Apron Assembly Complete		

# Apron Assembly II



## Apron Assembly II

Index No.	Part No.	Description	Size	Qty
36	06-44	Bushing		1
37	06-43	Shaft		1
38	GB894.1-16	Retainer Ring	16	1
39	06-28	Gear	22T	1
40	06-26	Collar		1
41	GB879-5X35	Pin	5x35	1
42	06-20	Gear	24T	1
43	TS-1523011	Set Screw	M6x6	1
44	GB1096-5X15	Key	5x15	1
45	06-19	Shaft		1
46	GB3452.1-17X1.8	O-Ring	17x1.8	1
47	GB896-12	Retainer Ring	12	1
48	06-10	Bushing		1
49	06-15-1	Collar		1
50	GH1440W-06-15	Cluster Gear	50T/20T	1
51	TS-1524011	Set Screw	M8x8	1
52	GH1440W-06-14	Spring		1
53	GB308-SB6	Steel Ball	6	1
54	GH1440W-06-13	Shaft		1
55	06-06	Shaft		1
56	GB879-5X30	Pin	5x30	1
57	06-08	Gear	50T	1
58	06-10	Bushing		1
59	GB894.1-16	Retainer Ring	16	1
60	06-11	Plug		1
61	06-07	Shaft		1
62	GB1096-5X15	Key	5x15	1
63	GH1440W-06-05	Wheel Flange		1
64	TS-1503041	Hex Socket Cap Screw	M6x16	3
65	06-31	Indicator Ring		1
66	GB308-SB6	Steel Ball	6	2
67	06-32	Spring		2
68	GH1440W-06-06	Wheel		1
69	TS-1523071	Set Screw	M6x25	1
70	06-30	Wheel Stud		1
71	GH1440W-06-11	Handle Sleeve		1
72	GH1440W-06-10	Handle Lever		1
73	TS-1522031	Set Screw	M5x10	2
74	GB3452.1-25.8X3.55	O-Ring	25.8x3.55	1
76	TS-1531012	Pan Head Screw	M3x6	10
78	GH1440W-06-38	Indicator Label		1

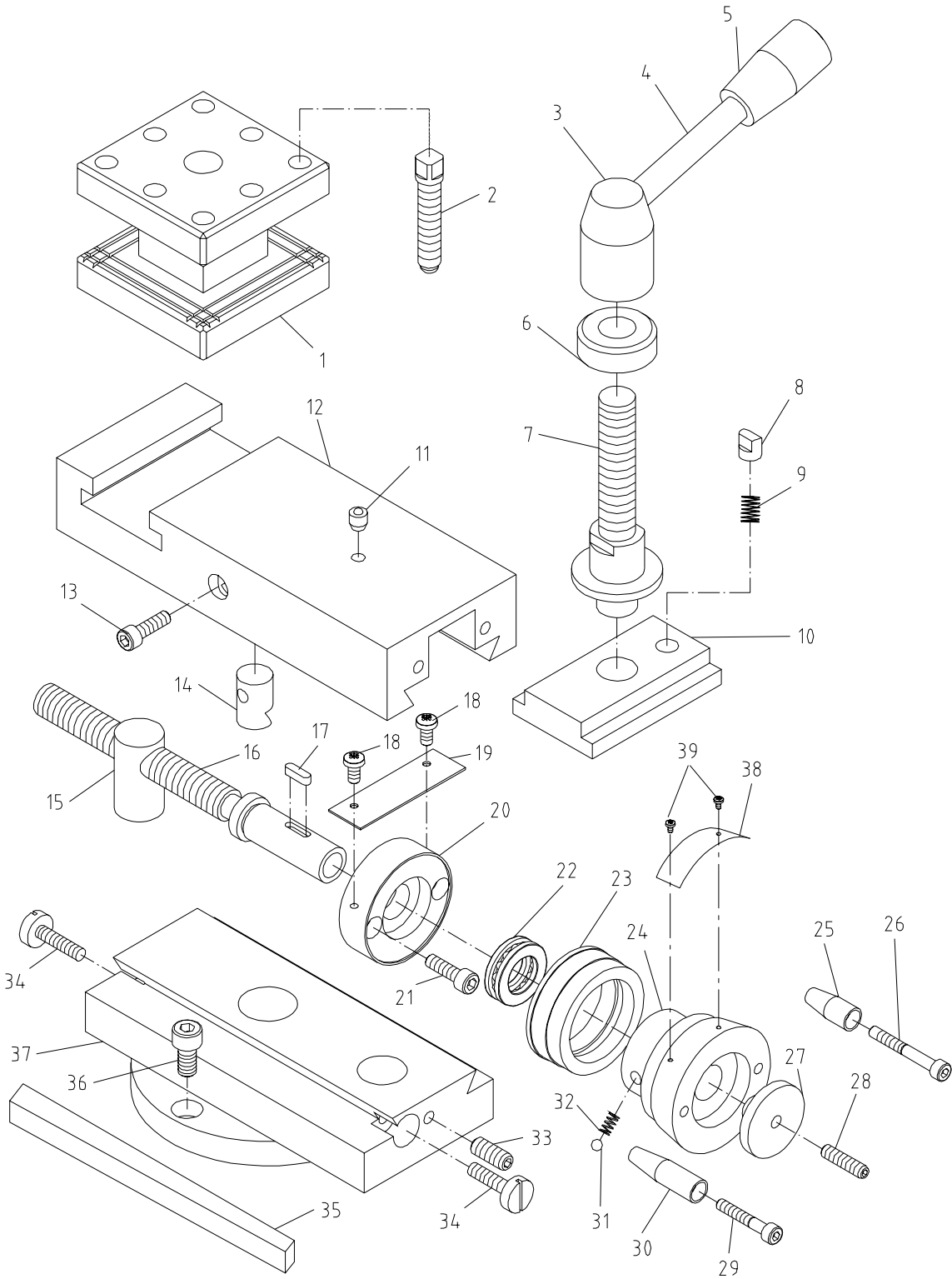


## Carriage and Cross Slide Assembly

Index No.	Part No.	Description	Size	Qty
1	GH1440W-07-04	Gib		1
2	07-28	Gib Adjusting Screw		2
3	GB818-M5X10	Pan Head Machine Screw	M5x10	5
4	GH1440W-07-12	Plate		1
5	GH1440W-07-11	Plate Wiper		1
6	GH1440W-07-02	Cross Slide Body		1
7	07-07	Clamp Nut		2
8	07-08	Hub		1
9	GB1155-8	Oiler	8	3
10	TS-1503051	Hex Socket Cap Screw	M6x20	1
11	07-05	Sleeve		1
12	TS-1524011	Set Screw	M8x8	1
13	GB6172-M10	Hex Nut	M10	2
14	07-02	Bearing Cap		1
15	TS-1503071	Hex Socket Cap Screw	M6x30	2
16	GB301-8101	Thrust Bearing	8101	2
17	07-03	Block		1
18	07-25	Spacer		1
19	GH1440W-07-16	Leadscrew		1
20	TS-1503031	Hex Socket Cap Screw	M6x12	1
21	GH1440W-07-10	Crossfeed Nut		1
22	GB819-M3X5	Pan Head Machine Screw	M3x5	1
23	07-21	Key	5X25	1
24	GH1440W-07-14	Gear Shaft		1
25	GB1096-4X20	Key	4x20	2
26	GB1155-6	Oiler	6	1
27	GB818-M3X6	Pan Head Screw	M3x6	2
28	07-04-01	Indicator Label		1
29	GH1440W-07-13	Housing		1
30	TS-1503091	Hex Socket Cap Screw	M6x40	2
31	GB301-8102	Thrust Bearing	8102	2
32	07-18	Washer		1
33	TS-2285102	Pan Head Machine Screw	M5x10	2
34	07-17	Index Ring		1
35	GH1440W-07-18	Compound Handle		1
36	07-15	Cover Screw		1
37	TS-1523071	Set Screw	M6x25	1
38	GH1440W-07-17	Handle Lever		1
39	GH1440W-07-26	Handle Sleeve		1
40	GB2089-0.7X5X9	Spring	0.7x5x9	2
41	GB308-SB6	Steel Ball	6	2
42	GH1440W-07-01	Saddle		1
43	GB117-6X40	Pin	6x40	2
44	GH1440W-07-03	Plate Wiper		2
45	TS-2285102	Pan Head Machine Screw	M5x10	8
46	GH1440W-07-07	Plate		2
47	TS-1515051	Hex Socket Cap Screw	M8x40	2
48	GB1155-79	Oiler		4
49	GH1440W-07-05	Plate		2
50	GH1440W-07-06	Plate Wiper		2
51	07-24	Rear Pressure Plate		1
52	07-23	Gib		1
53	GB6170-M6	Lock Nut	M6	4
54	TS-1523061	Set Screw	M6x20	4
55	TS-1504041	Hex Socket Cap Screw	M8x20	6
56	GB4141.14-M10X50	Handle Knob	M10x50	1

Index No.	Part No.	Description	Size	Qty
57	GH1440W-07-27	Handle Shaft		1
58	GH1440W-07-25	Hub		1
59	04-06	Oil Cap		1
60	GH1440W-07-08	Lock Stud		1
61	GH1440W-07-09	Front Pressure Plate		2
62	14-04	Connected Tube		1
63	14-03	Lamp Bracket		1
	GHW-CFLA	Cross Feed Lead Screw & Nut Assy. (includes #19-21)		
	GHW1440W-CFDA	Cross Feed Dial Assy. (includes 22-26, 29-41)		

# Four Way Tool Post and Compound Slide Assembly



## Four Way Tool Post and Compound Slide Assembly

Index No.	Part No.	Description	Size	Qty
1	07-32	Tool Post		1
2	GB83-10X50	Tool Lock Screw	10x50	8
3	GH1440W-07-20	Handle Hub		1
4	GH1440W-07-21	Handle Shaft		1
5	GB4141.14-BM10X50	Knob		1
6	GH1440W-07-19	Spacer		1
7	07-34	Tool Post Pin		1
8	07-29	Tool Post Pin		1
9	GB2089-1X8X11	Spring	1x8x11	1
10	07-37	Clamp Nut		1
11	GB1155-89	Oiler	8	1
12	07-49	Compound Slide		1
13	TS-1503051	Hex Socket Cap Screw	M6x20	1
14	07-09	Position Pin		1
15	07-39	Nut		1
16	07-40	Compound Screw		1
17	GB1096-4X14	Key	4x14	1
18	TS-1531012	Pan Head Machine Screw	M3x6	2
19	07-04-02	Name Plate		1
20	GH1440W-07-22	Screw Bushing		1
21	TS-1503051	Hex Socket Cap Screw	M6x20	2
22	GB301-8103	Thrust Bearing	8103	1
23	07-42	Index Ring		1
24	GH1440W-07-.28	Handwheel		1
25	GH1440W-07-23	Handle		1
26	TS-1513051	Hex Socket Cap Screw	M5x25	1
27	07-15	Cover Screw		1
28	TS-1523071	Set Screw	M6x25	1
29	TS-1502091	Hex Socket Cap Screw	M5x40	1
30	GH1440W-07-24	Handle		1
31	GB308-SB6	Steel Ball	6	2
32	GB2089-0.7X5X5	Spring	0.7x5x5	2
33	TS-1523051	Set Screw	M6x16	1
34	07-28	Gib Adjusting Screw		2
35	07-10	Gib		1
36	TS-1515011	Hex Socket Cap Screw	M8x16	2
37	GH1440W-07-15	Swivel Slide (14")		1
	GH1340W-07-15	Swivel Slide (13")		1
38	07-04-02	Indicator Label		1
39	GB818-M3X6	Pan Head Screw	M3x6	2
	GHW-THA	Tool Post Assy. (includes #1 & 2)		1
	GH1440W-CPA	Compound Assy. (includes # 11-39 for 14")		1
	GH1340W-CPA	Compound Assy. (includes # 11-39 for 13")		1

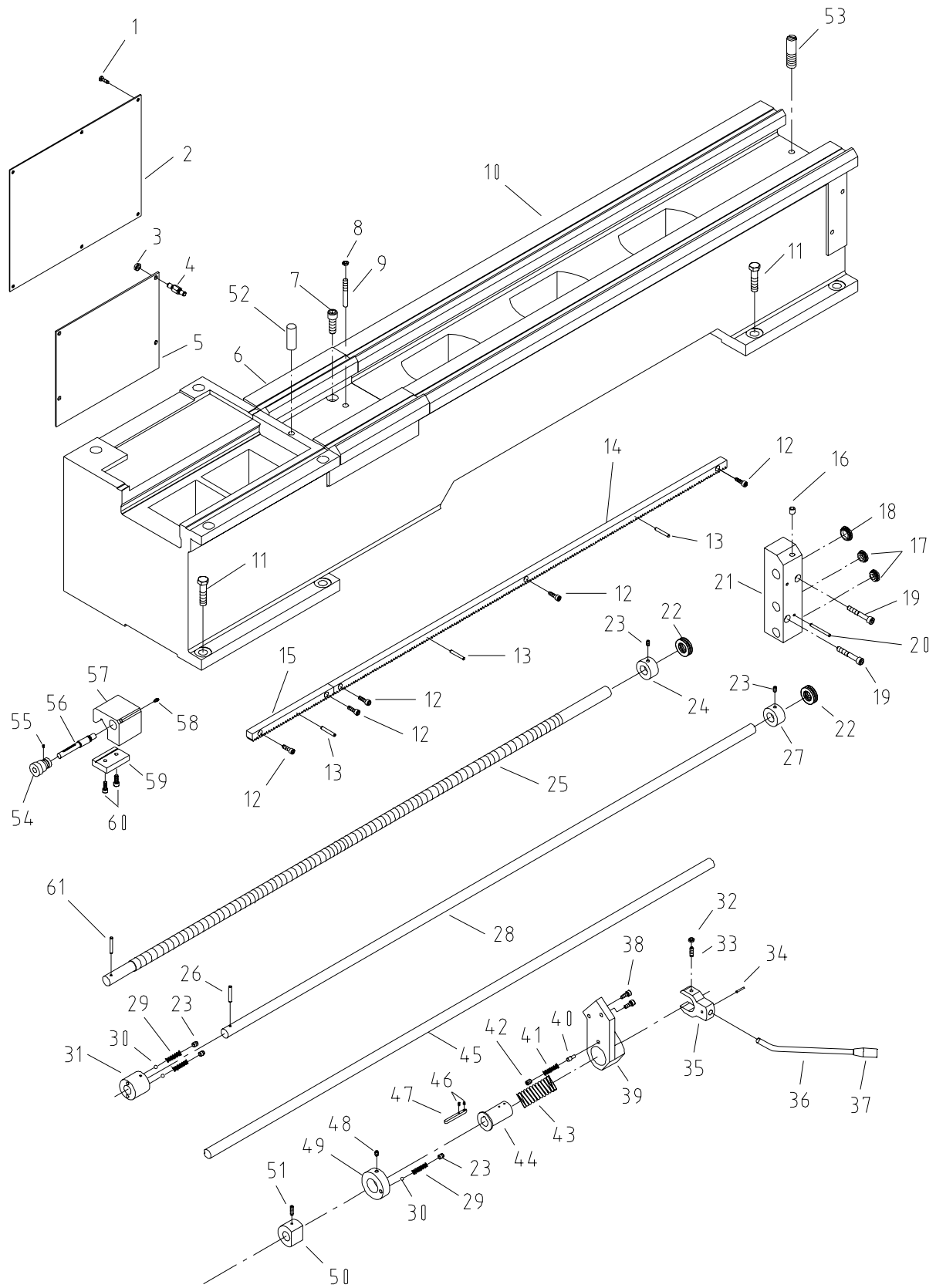




## Tailstock Assembly

Index No.	Part No.	Description	Size	Qty
1	08-09	Index Ring		1
2	TS-1503051	Hex Socket Cap Screw	M6x20	3
3	GH1440W-08-07	Hub		1
4	GB301-8103	Thrust Bearing	8103	1
5	GB1096-4X20	Key	4x20	1
6	08-05	Screw		1
7	TS-1503041	Hex Socket Cap Screw	M6x16	2
8	08-06	Flange		1
9	GB4141.14-BM10X50	Knob		2
10	GH1440W-06-04	Lever Handle		1
11	GH1440W-08-06	Eccentric Shaft		1
12	GB879-5X12	Pin	5x12	1
13	GB1155-10	Oiler	10	2
14	GH1440W-08-01	Tailstock Body		1
15	GB308-SB6	Steel Ball	6	1
16	GB2089-0.7X5X12	Spring	0.7x5x12	1
17	GH1440W-08-09	Wheel		1
18	TS-1523071	Set Screw	M6x25	1
19	08-12	Wheel Screw		1
20	GH1440W-06-10	Handle Lever		1
21	GH1440W-06-11	Handle Sleeve		1
22	GH1440W-T22	Hex Socket Cap Screw	M8x70	2
23	GH1440W-08-03	Gib		1
24	08-18	Gib Adjusting Screw		2
25	TS-1492091	Hex Cap Bolt (for 14")	M12x90	1
	TS-1492071	Hex Cap Bolt (for 13")	M12x70	1
26	TS-1550081	Washer	12	1
27	GH1440W-08-04	Tailstock Clamp Plate		1
28	08-16	Block		1
29	GH1440W-08-02	Tailstock Base (for 14")		1
	GH1340W-08-02	Tailstock Base (for 13")		1
30	08-02	Stop Pin		1
31	TS-1540041	Nut	M6	1
32	TS-1523051	Set Screw	M6x16	1
33	GB879-5X12	Pin	5x12	1
34	GH1440W-08-05	Eccentric Shaft		1
35	GH1440W-08-08	Lever Handle		1
36	08-04	Spindle		1
37	08-24	Key	3x6x55	1
38	08-07	Indicator Label		1
39	GHW-TA39	Pan Head Screw	M3x6	6
40	08-22	Indicator Label		1
41	08-23	Indicator Label		1
	GH1440W-TA-CA	Tailstock Complete Assembly (for 14")		1
	GH1340W-TA-CA	Tailstock Complete Assembly (for 13")		1

# Bed Assembly

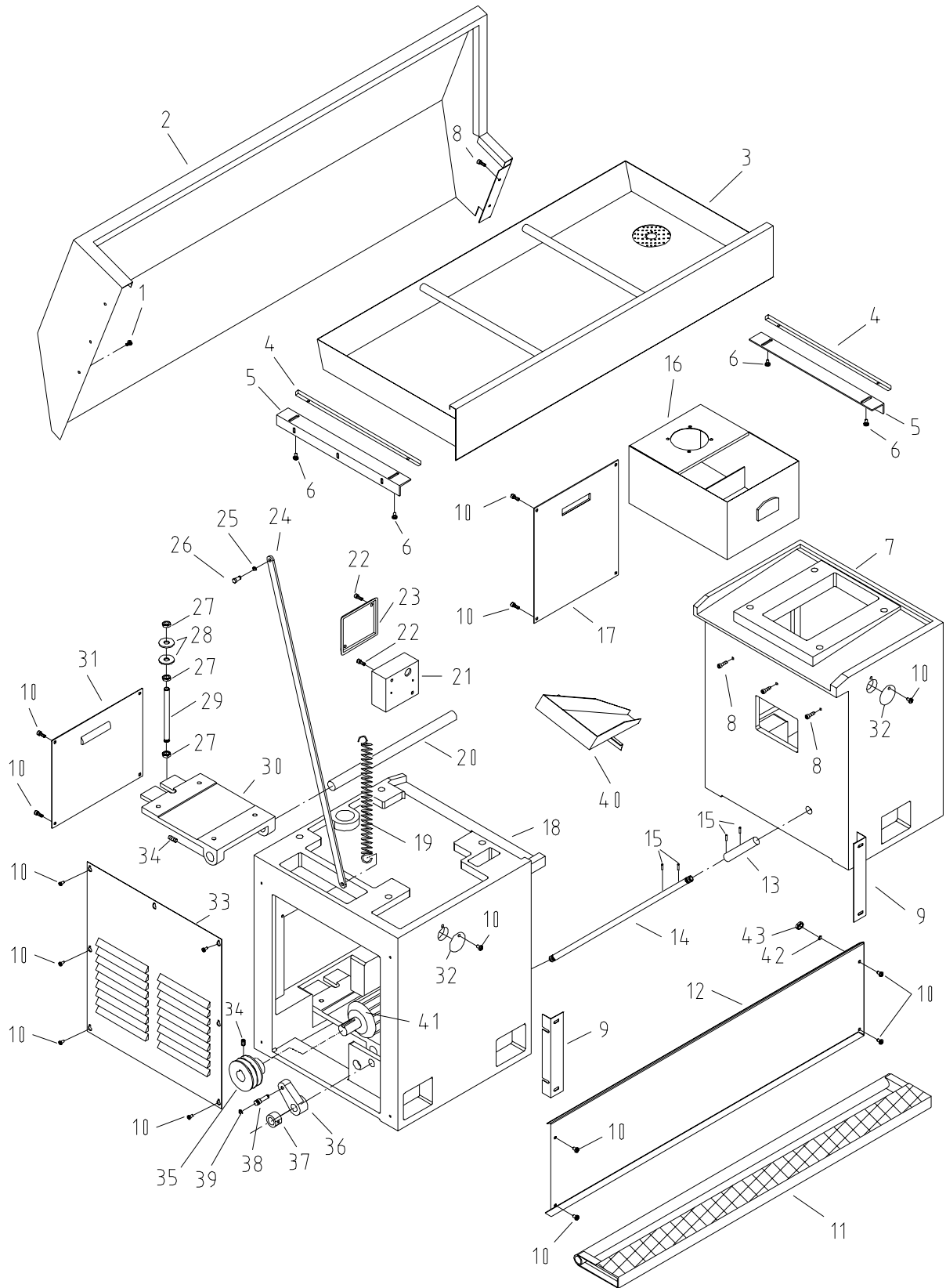


## Bed Assembly

Index No.	Part No.	Description	Size	Qty
1	GB818-M8X10	Pan Head Screw	M8x10	6
2	GH1440W-12-01	Electrical Box Cover		1
3	TS-1540061	Hex Nut	M8	4
4	C6240-120003	Stud		4
5	12-05	Electrical Plate		1
6	GH1440W-01-02	Gap		1
7	TS-1506051	Hex Socket Cap Screw	M12x40	4
8	TS-1540061	Hex Nut	M8	2
9	GB881-8X60	Pin	8x60	2
10	GH1440W-01-01	Bed		1
11	GB5782-M16X50	Hex Cap Bolt	M16x50	8
12	TS-1503061	Hex Socket Cap Screw	M6x25	6
13	GB879-5X35	Pin	5x35	6
14	01-07	Rack (long)		2
15	01-06	Rack (short)		1
16	GB1155-10	Oiler	10	1
17	01-41	Plug		2
18	01-42	Plug		1
19	TS-1504111	Hex Socket Cap Screw	M8x55	2
20	GB118-8X60	Pin	8x60	2
21	01-13	End Bracket		1
22	GB301-51104	Bearing	51104	2
23	TS-1524021	Socket Set Screw	M8x10	5
24	01-10	Collar		1
25	01-11	Lead Screw		1
26	GB879-5X35	Pin	5x35	1
27	01-16	Collar		1
28	01-15	Feed Shaft		1
29	01-38	Spring		3
30	GB308-SB6	Steel Ball	6	3
31	01-05	Clutch		1
32	TS-1540041	Hex Nut	M6	2
33	TS-1523061	Set Screw	M6x20	2
34	GB879-3X20	Pin	3x20	1
35	01-086/6	Control Fork		1
36	01-081/6	Control Handle		1
37	GB4141.14-BM10X50	Knob		1
38	TS-1503041	Hex Socket Cap Screw	M6x16	2
39	01-084/6	Control Bracket		1
40	01-082/6	Pin		1
41	01-38	Spring	1.2x6x20	1
42	TS-1524011	Set Screw	M8x8	1
43	GB2089-3X35X70	Spring	3x35x70	1
44	01-085/6	Sleeve		1
45	GH1440W-01-21	Spindle Control Shaft		1
46	TS-1520021	Set Screw	M3x6	2
47	01-083/6	Key	5x56	1
48	TS-1523031	Set Screw	M6x10	1
49	GH1440W-01-26	Collar		1
50	GH1440W-01-22	Shift Collar		1
51	TS-1523051	Set Screw	M6x16	1
52	GB119-16X40	Pin	16x40	1
53	01-19	Pin		1
54	13-03	Index Ring		1
55	GB879-3X5	Pin	3x5	1
56	13-02	Shaft		1

<b>Index No.</b>	<b>Part No.</b>	<b>Description</b>	<b>Size</b>	<b>Qty</b>
57	GH1440W-13-01	Bracket		1
58	GB79-M6X12	Set Screw	M6x12	1
59	13-04	Plate		1
60	TS-1503041	Hex Socket Cap Screw	M6x16	2
61	05-74	Pin	5x37	1

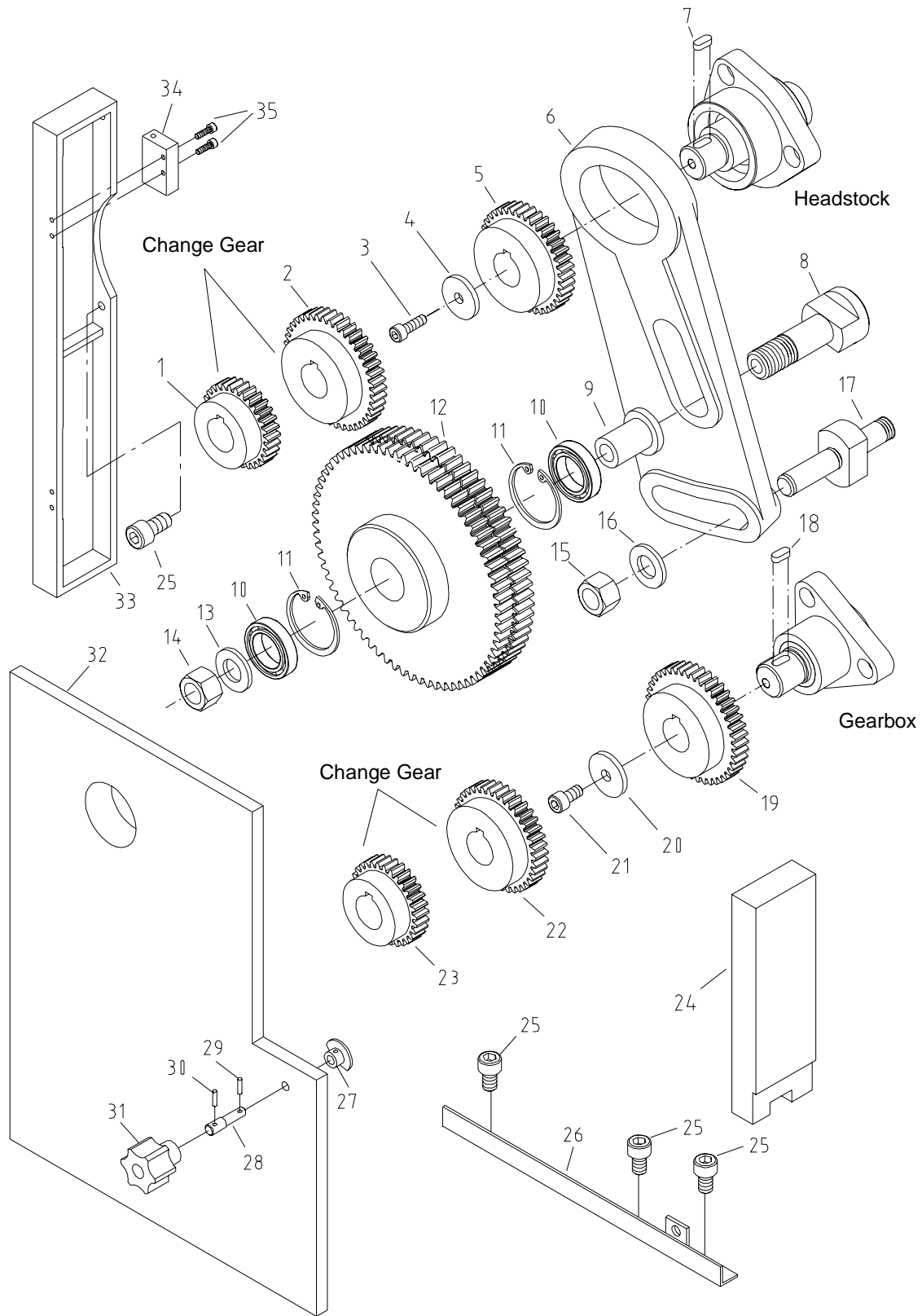
# Stand Assembly



## Stand Assembly

Index No.	Part No.	Description	Size	Qty
1	GB818-M6X10	Pan Head Machine Screw	M6x10	3
2	GH1440W-01-23	Splash Guard		1
3	GH1440W-01-05	Chip Tray		1
4	GH1440W-01-07	Guide		2
5	GH1440W-01-06	Bracket		2
6	GB818-M6X10	Pan Head Machine Screw	M6x10	4
7	GH1440W-01-04	Pedestal (right)		1
8	TS-1503021	Hex Socket Cap Screw	M6x10	8
9	GH1440W-01-08	Bracket		2
10	GB818-M6X10	Pan Head Machine	M6x10	29
11	GH1440W-01-12	Brake Pedal		1
12	GH1440W-01-09	Front Plate		1
13	11-01	Shaft		1
14	GH1440W-01-13	Shaft		1
15	GB879-5X15	Pin	5x15	4
16	14-01	Coolant Tank		1
17	GH1440W-01-10	Cover		1
18	GH1440W-01-03	Pedestal (left)		1
19	11-04	Spring		1
20	GH1440W-01-14	Shaft		1
21	12-08	Switch Box		1
22	GB818-M6X10	Pan Head machine Screw	M6x10	4
23	12-09	Switch Box Cover		1
24	GH1440W-01-15	Connector Bar (for 14")		1
	GH1340W-01-15	Connector Bar (for 13")		1
25	GB896-6	Retaining Clip	6	1
26	11-12	Pin		1
27	GB6172-M12	Hex Nut	M12	3
28	GB96-12	Washer	12	2
29	01-23	Screw		1
30	GHW-SB-30-1	Motor Mounting Bracket (for 1 phase motor)		1
	GHW-SB-30-3	Motor Mounting Bracket (for 3 phase motor)		1
31	01-25	Cover		1
32	01-27	Cover		4
33	GH1440W-01-11	Cover		1
34	TS-1524011	Set Screw	M8x8	3
35	GH1440W-01-20	Pulley		1
36	GH1440W-01-24	Link		1
37	11-07	Link Nut		1
38	11-05	Shaft Pin		1
39	GB896-6	Retaining Clip	6	1
40	01-12	Tray		1
41	GHW-M1-1	Main Motor (1 Phase)		1
	GHW-M1-3	Main Motor (3 Phase)		1
42	TS-1550041	Washer	6	4
43	TS-1540041	Hex Nut	M6	4

# End Gear Assembly

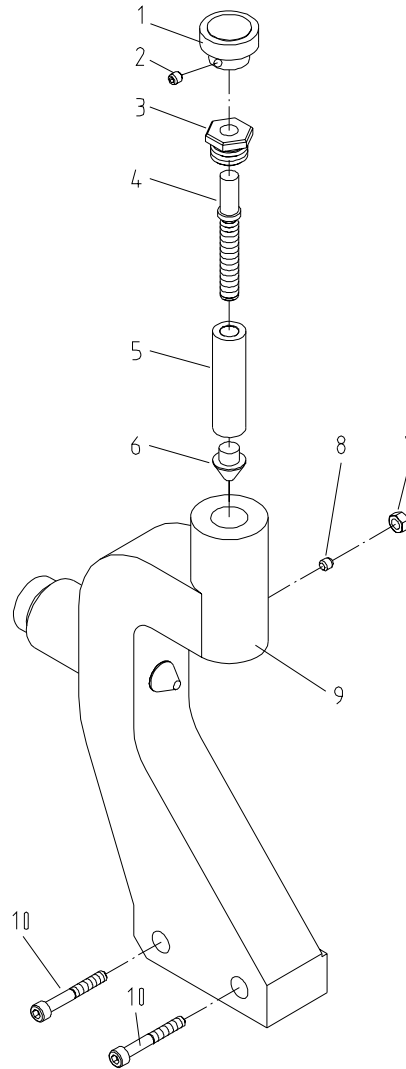




## End Gear Assembly

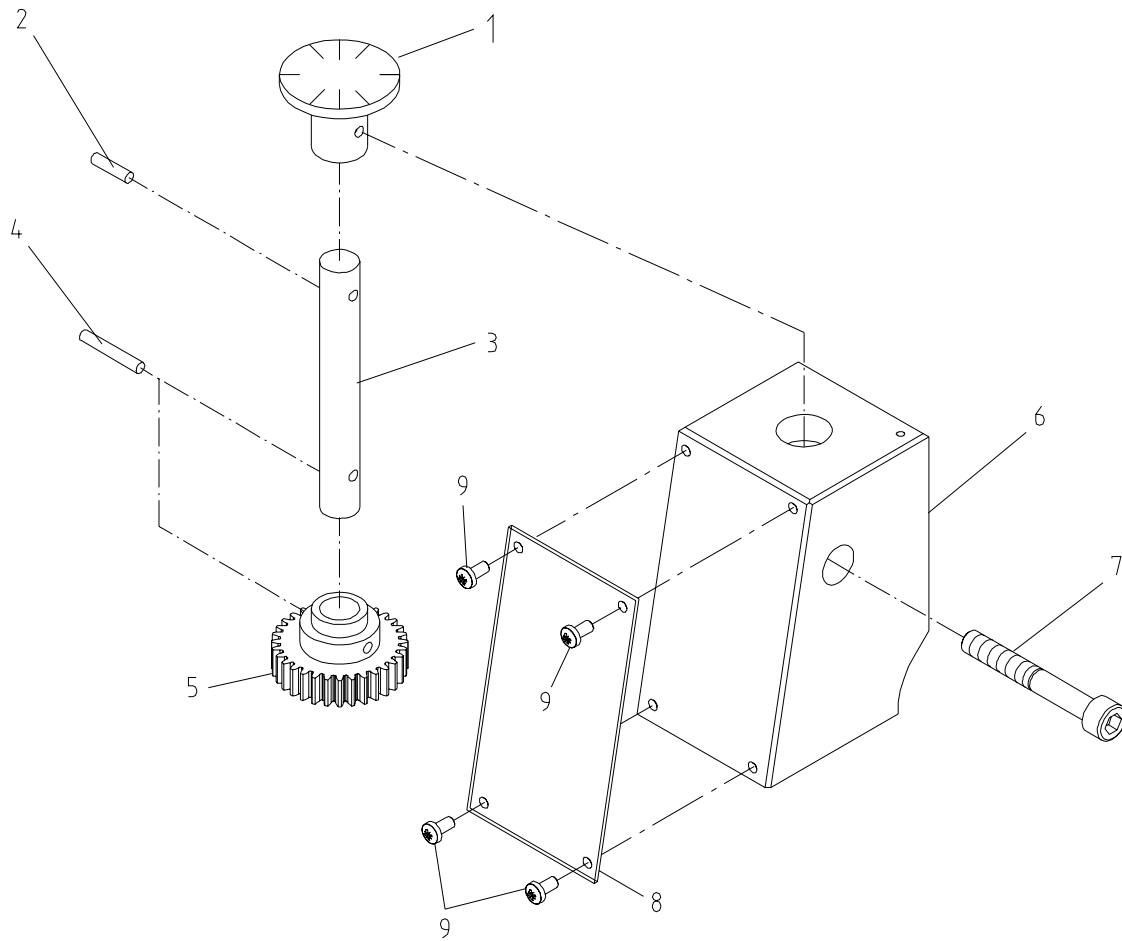
Index No.	Part No.	Description	Size	Qty
1	15-02	Gear	30T	1
2	15-04	Gear	40T	1
3	TS-1502041	Hex Socket Cap Screw	M5x16	1
4	04-51	Washer		1
5	04-50	Gear	25T	1
6	GH1440W-15-01	Quadrant		1
7	GB1096-5X14	Key	5x14	1
8	05-43	Thread Shaft		1
9	05-45	Collar		1
10	BB-6103	Bearing	6103	2
11	GB893.1-35	Retaining Ring	35	2
12	05-65	Gear	120/127	1
13	05-44	Washer		1
14	TS-1540071	Hex Nut	M10	1
15	TS-1540081	Hex Nut	M12	1
16	GB97.2-85	Washer		1
17	GH1440W-15-20	Stud		1
18	GB1096-5X14	Key	5x14	1
19	05-41	Gear	50T	1
20	05-42	Washer		1
21	TS-1503041	Hex Socket Cap Screw	M6x16	1
22	15-03	Gear	32T	1
23	15-04	Gear	40T	1
24	GH1440W-01-17	Front Plate (for 14" model)		1
	GH1340W-01-17	Front Plate (for 13" model)		1
25	TS-1504041	Hex Socket Cap Screw	M8x20	7
26	GH1440W-01-19	Plate		1
27	C6240-10002	Door Latch		1
28	C6240-10001	Shaft		1
29	GB879-4X18	Pin	4x18	1
30	GB879-4X24	Pin	4x24	1
31	GB4141.29A-85	Knob		1
32	GH1440W-01-16	Change Gear Cover (for 14")		1
	GH1340W-01-16	Change Gear Cover (for 13")		1
33	GH1440W-01-18	Rear Plate (for 14")		1
	GH1340W-01-18	Rear Plate (for 13")		1
34	C6240-10004	Plate		2
35	TS-1503021	Hex Socket Cap Screw	M6x10	4

## Follow Rest



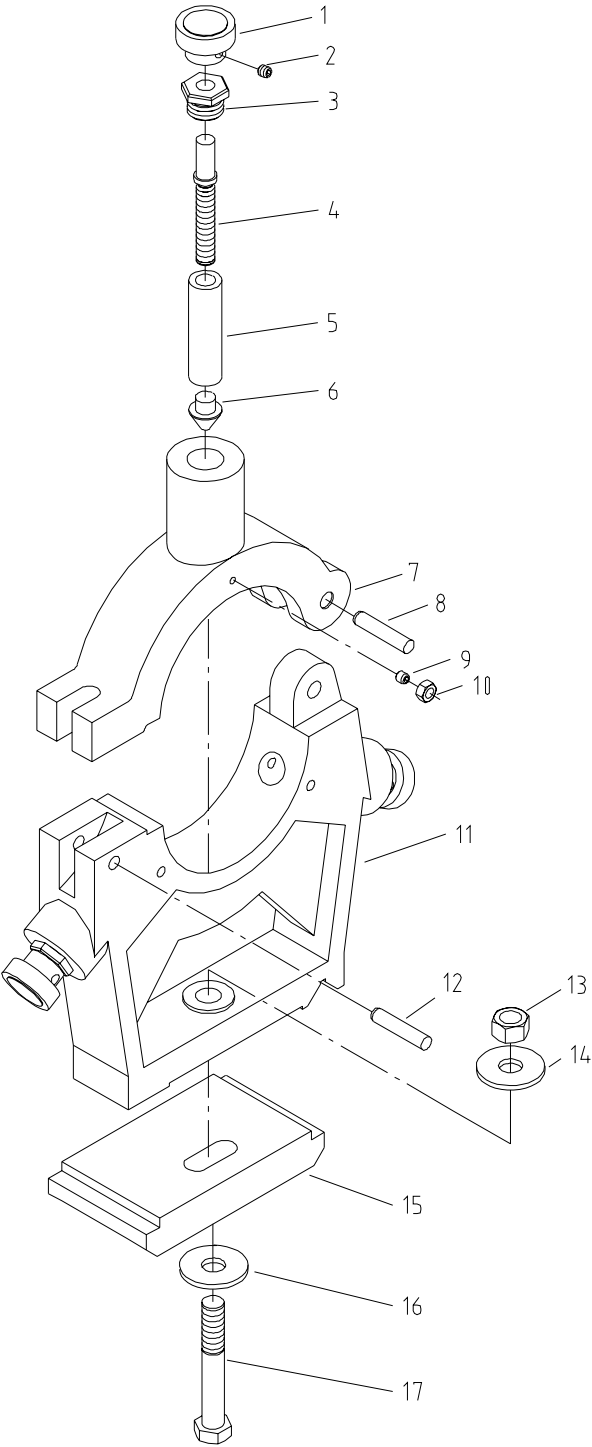
Index No.	Part No.	Description	Size	Qty
1.....	GH1440W-09-02.....	Knob .....		2
2.....	TS-1523011 .....	Set Screw .....	M6x6 .....	2
3.....	10B-04 .....	Bushing .....		2
4.....	10B-05 .....	Screw.....		2
5.....	10B-02 .....	Sleeve.....		2
6.....	10B-06 .....	Brass Finger.....		1
7.....	TS-1540041 .....	Hex Nut.....	M6.....	2
8.....	TS-1523011 .....	Set Screw .....	M6x6 .....	2
9.....	GH1440W-09-01 .....	Body Casting (for 14" model).....		1
.....	GH1340W-09-01 .....	Body Casting (for 13" model).....		1
10.....	TS-1504121 .....	Hex Socket Cap Screw.....	M8x60 .....	2
.....	GH1440W-FR-CA .....	Follow Rest Complete Assembly (for 14") .....		1
.....	GH1340W-FR-CA .....	Follow Rest Complete Assembly (for 13") .....		1

# Thread Dial Assembly



Index No.	Part No.	Description	Size	Qty
1	06-22	Dial		1
2	GB879-3X12	Pin	3x12	1
3	06-23	Shaft		1
4	GB879-3X20	Pin	3x20	1
5	06-25	Gear	32T	1
6	06-24	Body		1
7	TS-1503101	Hex Socket Cap Screw	M6x45	1
8	GHW-06-02	Name Plate		1
9	GHW-TD09	Pan Head Machine Screw	M3x6	4
10	GHW-TD10	Rivet	2x4	1
	GHW-TD-CA	Threading Dial Assembly		1

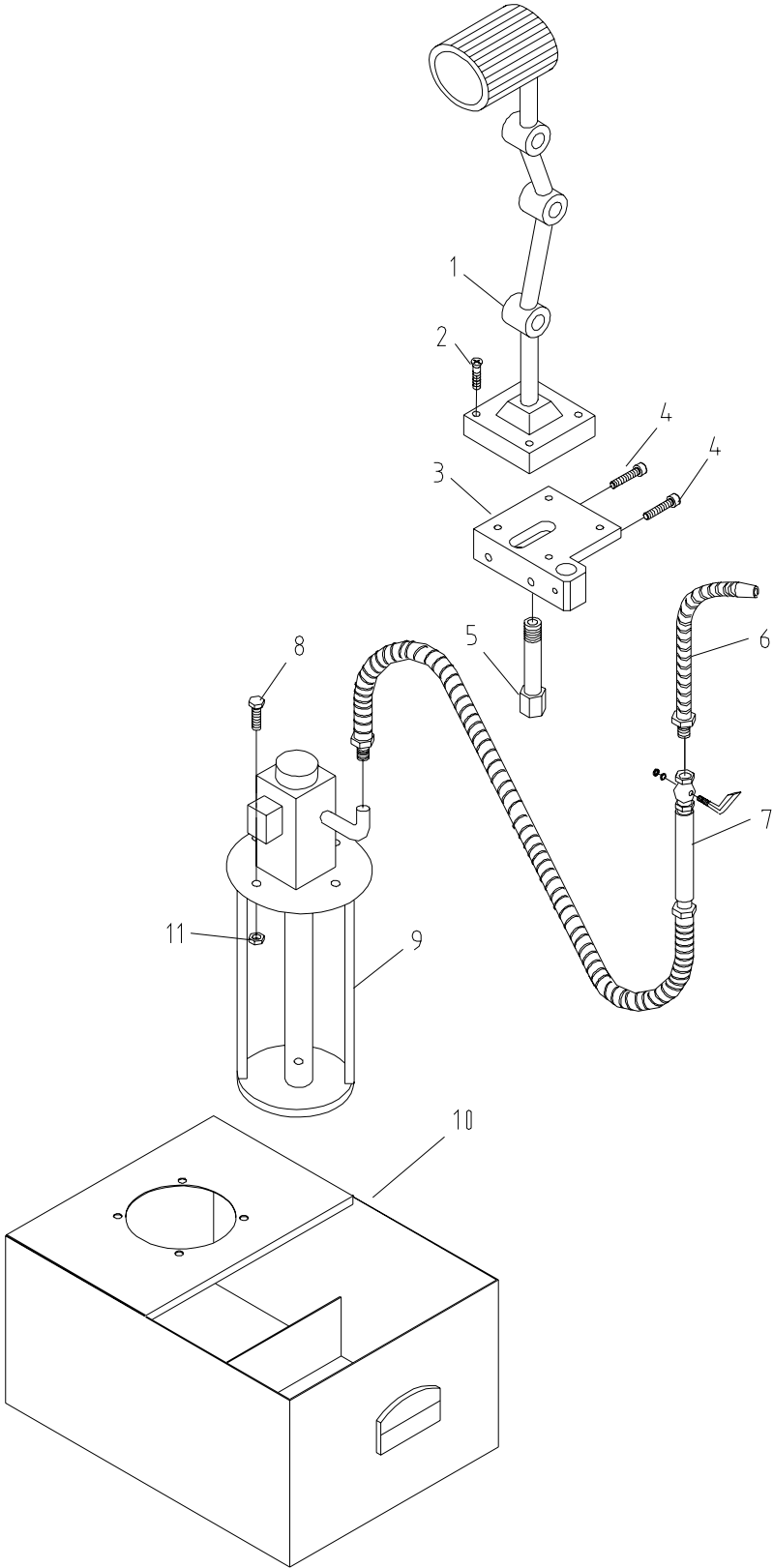
# Steady Rest



## Steady Rest

Index No.	Part No.	Description	Size	Qty
1	GH1440W-09-02	Knob		3
2	TS-1523011	Set Screw	M6x6	3
3	10A-05	Bushing		3
4	10A-06	Screw		3
5	10A-07	Sleeve		3
6	10A-08	Brass Finger		3
7	10A-03	Upper Body Casting		1
8	GB119-8X40	Pin	8x40	1
9	TS-1523061	Set Screw	M6x20	3
10	TS-1540041	Hex Nut	M6	3
11	GH1440W-10-01	Lower Body Casting (for 14")		1
	GH1340W-10-01	Lower Body Casting (for 13")		1
12	10A-02	Lock Pin		1
13	TS-1540081	Hex Nut	M12	1
14	TS-1550081	Flat Washer		1
15	GH1440W-10-02	Clamp Plate		1
16	TS-1550081	Flat Washer	12	1
17	TS-1492081	Hex Cap Bolt	M12x80	1
	GH1440W-SR-CA	Steady Rest Complete Assembly (for 14")		1
	GH1340W-SR-CA	Steady Rest Complete Assembly (for 13")		1

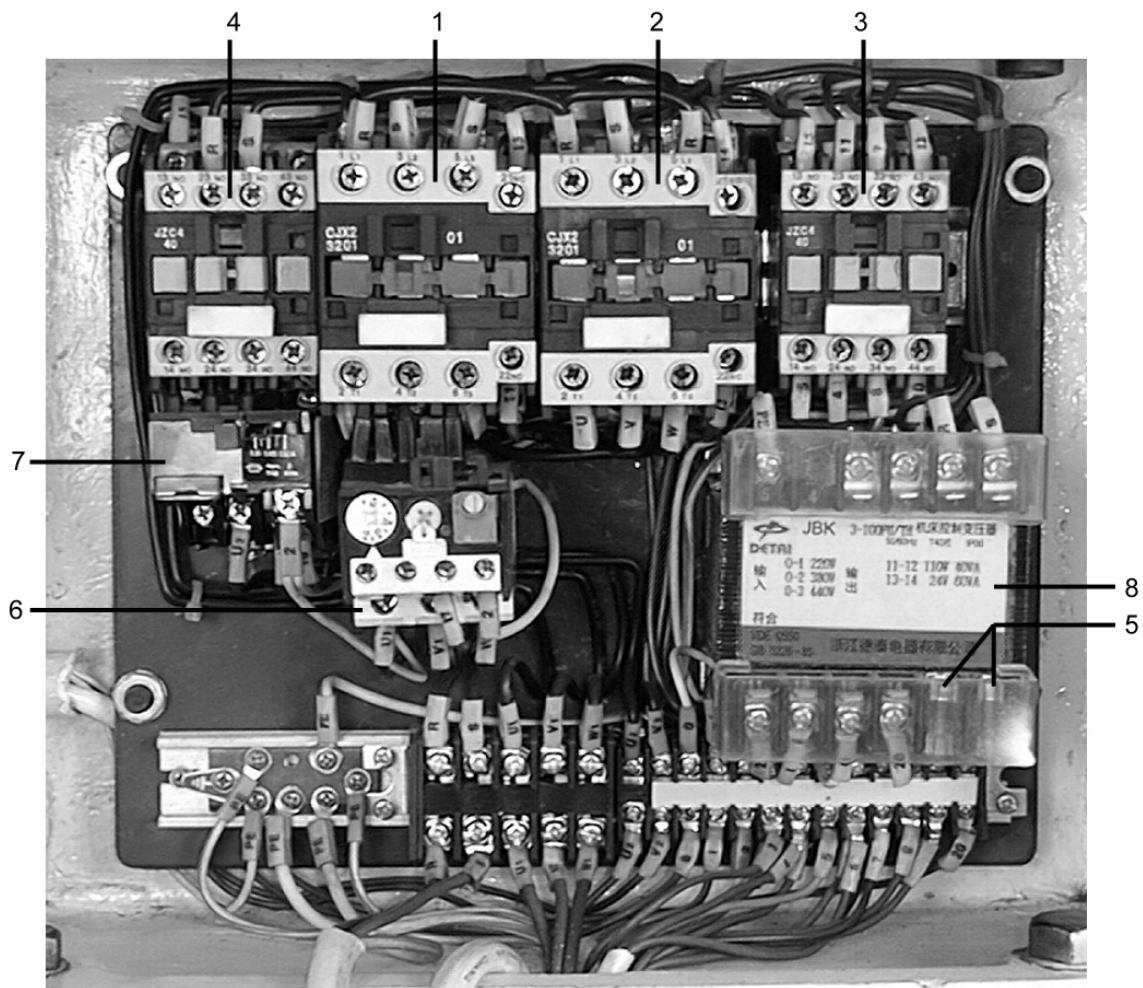
# Coolant and Work Light Assembly



## Coolant and Work Light Assembly

Index No.	Part No.	Description	Size	Qty
1	JC38	Work Light**		1
2	GHW-CW02	Cross Head Screw**	M6x14	4
3	14-03	Lamp Bracket**		1
4	TS-1503051	Hex Socket Cap Screw**	M6x20	2
5	14-04	Connected Tube**		1
6	GHW-CW06	Coolant Device		1
7	GHW-CW07	Rubber Tube		1
8	GHW-CW08	Hex Cap Bolt	M5x25	4
9	GHW-M2-1	Coolant Pump (1 Phase)	1/8HP	1
9	GHW-M2-3	Coolant Pump (3 Phase)	1/8HP	1
10	14-01	Water Tank		1
11	TS-1540031	Nut	M5	4
**	GHW-WL-CA	Work Light Complete Assembly (includes#1-5)		1

## Electrical Components



Index No.	Part No.	Description	Qty
1	GH1440W-KM1	Magnetic Starter (1 Phase, forward)	1
	GH1340A-KM1	Magnetic Starter (3 Phase, forward)	1
2	GH1440W-KM2	Magnetic Starter (1 Phase, reverse)	1
	GH1340A-KM2	Magnetic Starter (3 Phase, reverse)	1
3	GH1440W-KM3	Coolant Pump Contactor	1
4	GH1440W-KA	Control Contactor	1
5	GH1440W-F1	2 Amp Fuse (local purchase)	1
	GH1440W-F2	4 Amp Fuse (local purchase)	1
6	GH1440W-FR1	Motor Overload Relay (1 Phase)	1
	GH1340A-FR1	Motor Overload Relay (3 Phase)	1
7	GH1440W-FR2	Control Relay (1 Phase)	1
	GH1340A-FR2	Control Relay (3 Phase)	1
8	GH1440W-TC	Transformer (1 Phase)	1
	GH1440W-TC-3	Transformer (3 Phase)	1
9	GH1440W-SQ2	Door Switch (not shown)	1
10	GH1440W-SA1	Power On /Off Switch (not shown)	1
11	GH1440W-SQ1	Brake Switch (not shown)	1
12	GH1440W-SB1	Off Switch (not shown)	1
13	GH1440W-SB2	Jog Switch (not shown)	1
14	GH1440W-HL	Power Indicator Light (not shown)	1
15	GH1440W-SA2	Coolant Pump Switch (not shown)	1
16	GH1440W-SQ3	Forward Switch (not shown)	1

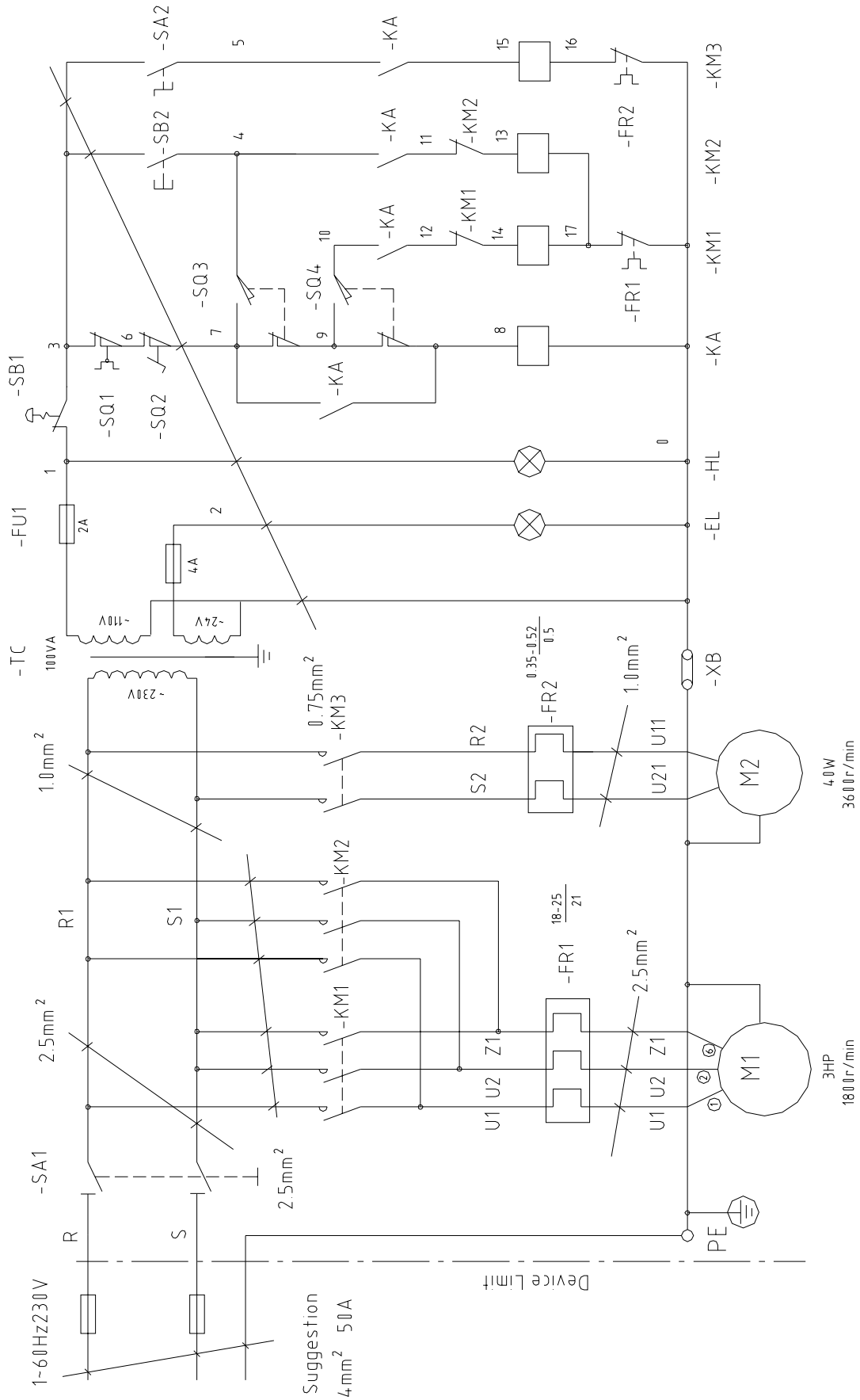


17.....	GH1440W-SQ4.....	Reverse Switch (not shown) .....	1
.....	GHW-M1-1 .....	Main Motor (1 Phase, not shown) .....	1
.....	GHW-M1-3 .....	Main Motor (3 Phase, not shown) .....	1
.....	GHW-M2-1 .....	Coolant Pump (1 Phase, not shown).....	1
.....	GHW-M2-3 .....	Coolant Pump (3 Phase, not shown).....	1

## W Series Lathes Electrical Schematic Symbol Glossary

Symbol	Component	Location
SB1 .....	Off Switch .....	Front Panel
SB2 .....	Jog Switch .....	Front Panel
HL .....	Power Indicator Light .....	Front Panel
SA2 .....	Coolant Pump Switch.....	Front Panel
SQ1.....	Brake Switch.....	Inside Bottom Cover-Headstock End
SQ2.....	Door Switch .....	Inside Change Gear Cover
SQ3.....	Forward Switch .....	Inside Front Panel (Right Of Gearbox)
SQ4.....	Reverse Switch.....	Inside Front Panel (Right Of Gearbox)
SA1 .....	Power On/Off Switch.....	On Electrical Panel Cover-Rear of Machine
KM3 .....	Coolant Pump Contactor .....	Electrical Control Box- Rear of Machine
KA.....	Control Contactor.....	Electrical Control Box- Rear of Machine
FR1 .....	Motor Overload Relay .....	Electrical Control Box- Rear of Machine
FR2.....	Coolant Pump O/L Relay.....	Electrical Control Box- Rear of Machine
KM1 .....	Magnetic Starter-Forward.....	Electrical Control Box- Rear of Machine
KM2 .....	Magnetic Starter-Reverse .....	Electrical Control Box- Rear of Machine
TC.....	Control Transformer.....	Electrical Control Box- Rear of Machine
M1.....	Main Motor.....	Inside Stand-Headstock End
M2.....	Coolant Pump Motor .....	Inside Stand-Tailstock End

# Wiring Diagram – 1 Phase



# Wiring Diagram – 3 Phase

