



This .pdf document is bookmarked

Record purchase information:

Model No.:	Stock No.:
Serial No.:	
Purchased from:	
Date purchased:	

Operating Instructions and Parts Manual

14"x40" Electronic Variable Speed Lathe

Model EVS-1440B



JET
427 New Sanford Road
LaVergne, Tennessee 37086
Ph.: 800-274-6848
www.jettools.com

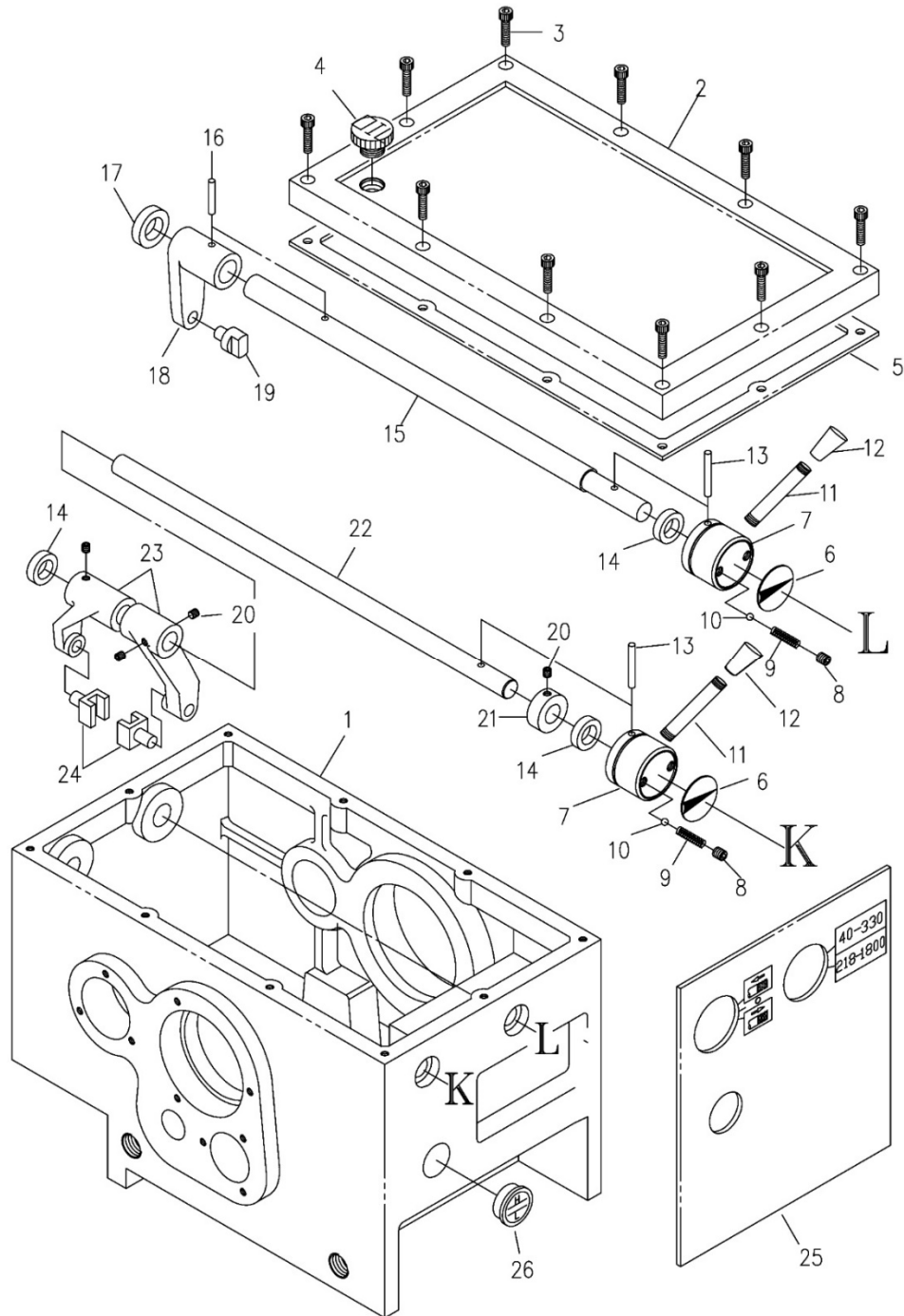
Part No. M-311440
Edition 2 06/2019
Copyright © 2019 JET

15.0 Replacement Parts

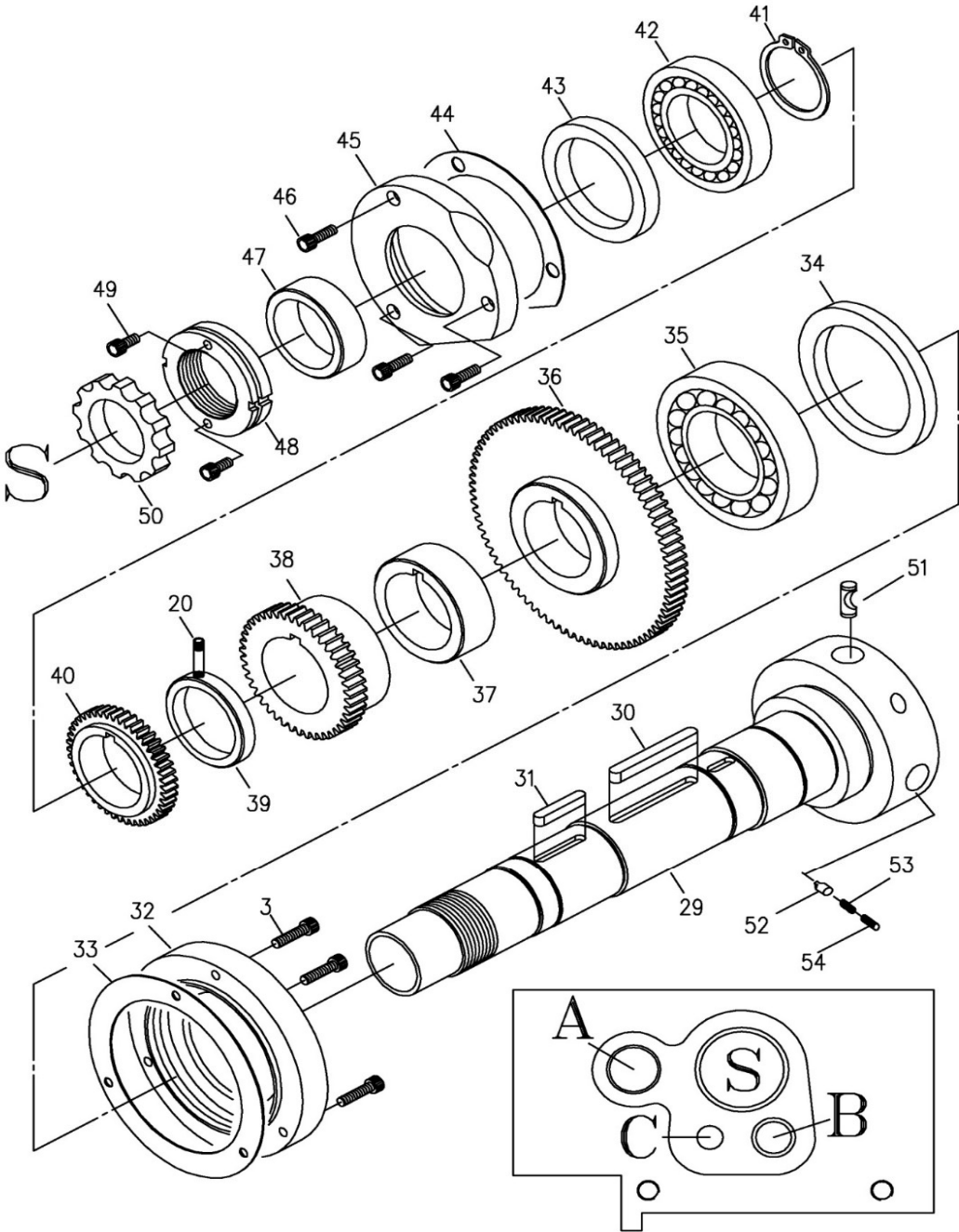
Replacement parts are listed on the following pages. To order parts or reach our service department, call 1-800-274-6848 Monday through Friday, 8:00 a.m. to 5:00 p.m. CST. Having the Model Number and Serial Number of your machine available when you call will allow us to serve you quickly and accurately.

Non-proprietary parts, such as fasteners, can be found at local hardware stores, or may be ordered from JET. Some parts are shown for reference only, and may not be available individually.

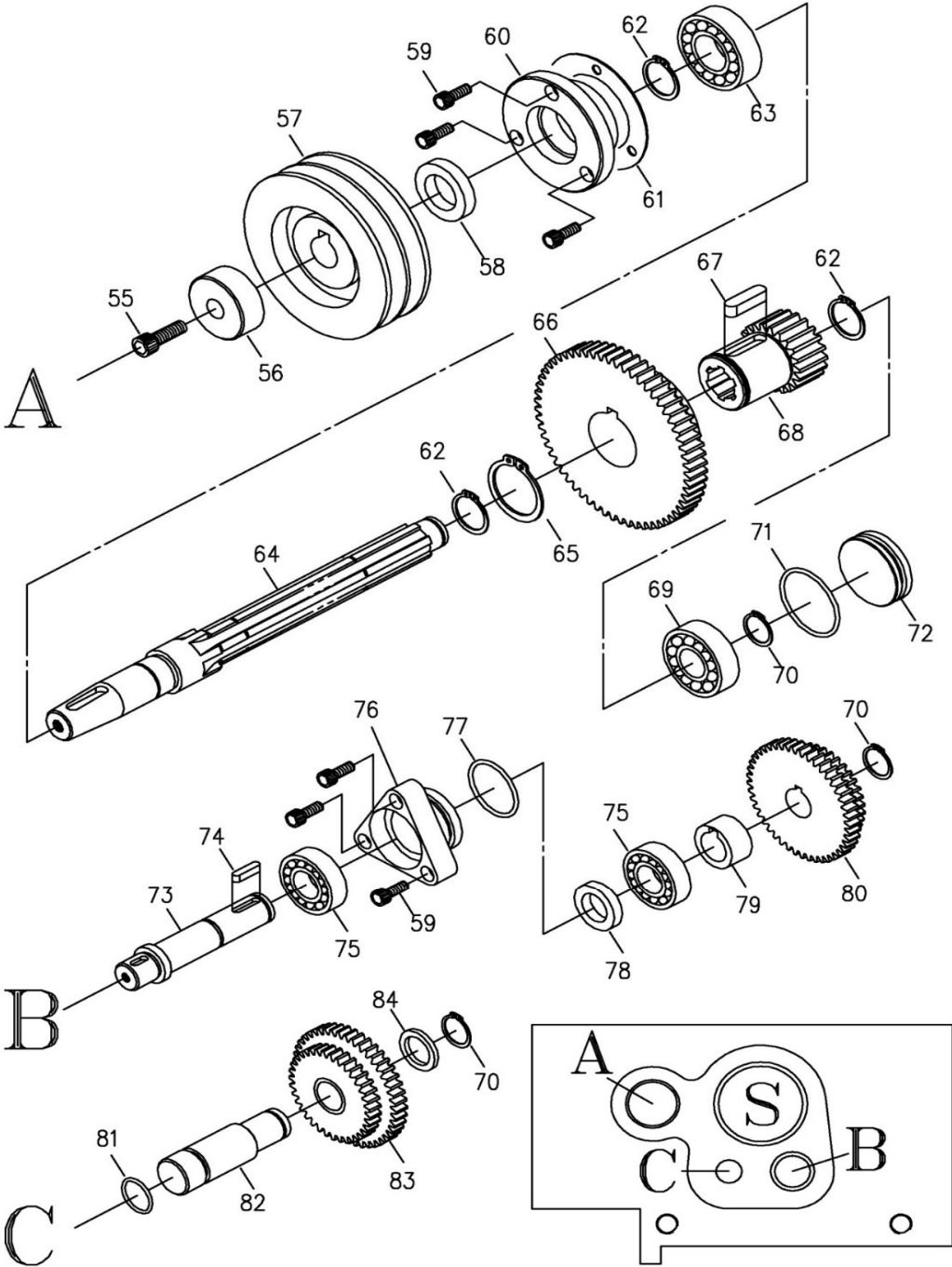
15.1.1 EVS-1440B Headstock Assembly – Exploded View I



15.1.2 EVS-1440B Headstock Assembly – Exploded View II



15.1.3 EVS-1440B Headstock Assembly – Exploded View III

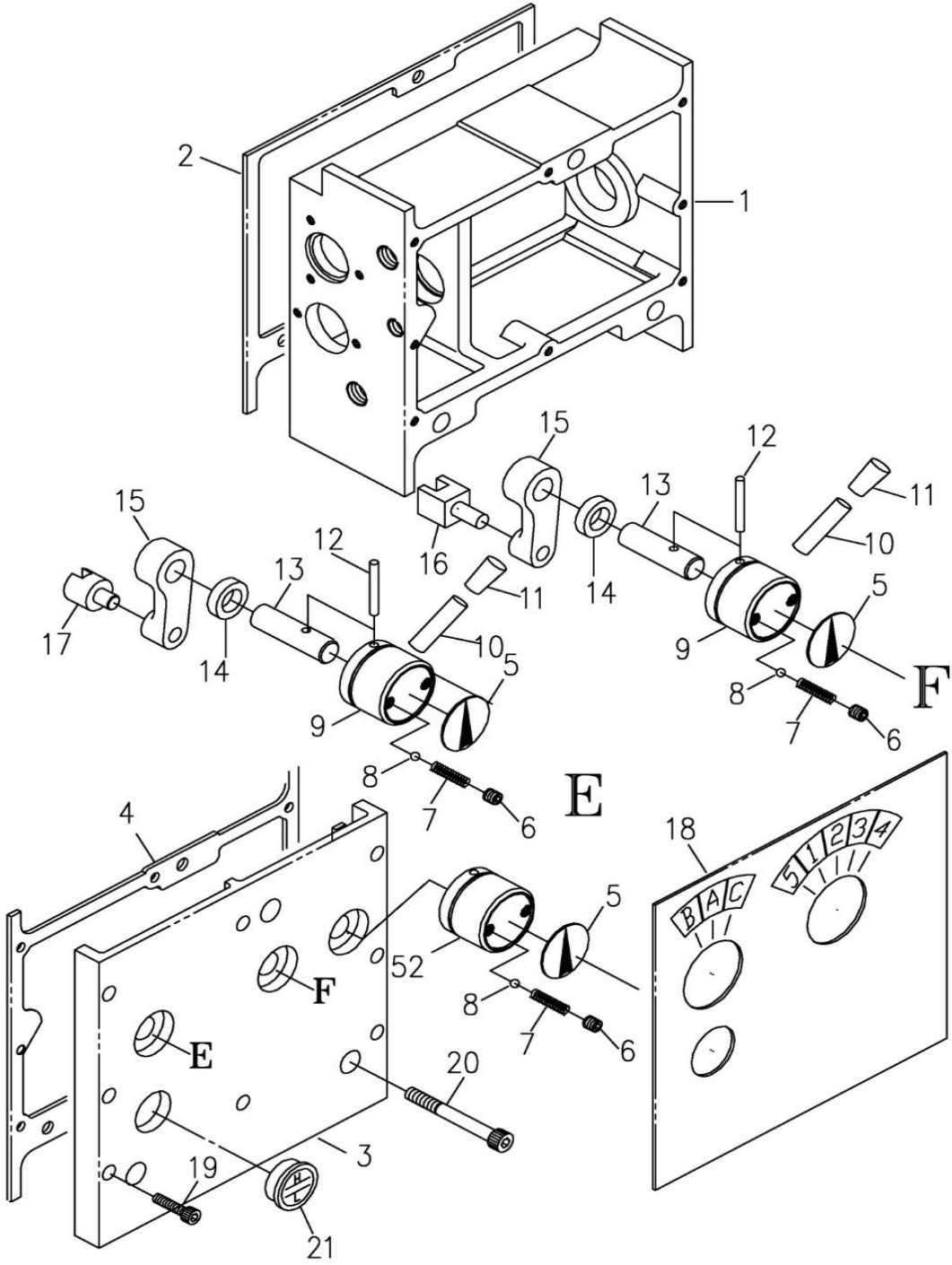


15.1.4 EVS-1440B Headstock Assembly – Parts List

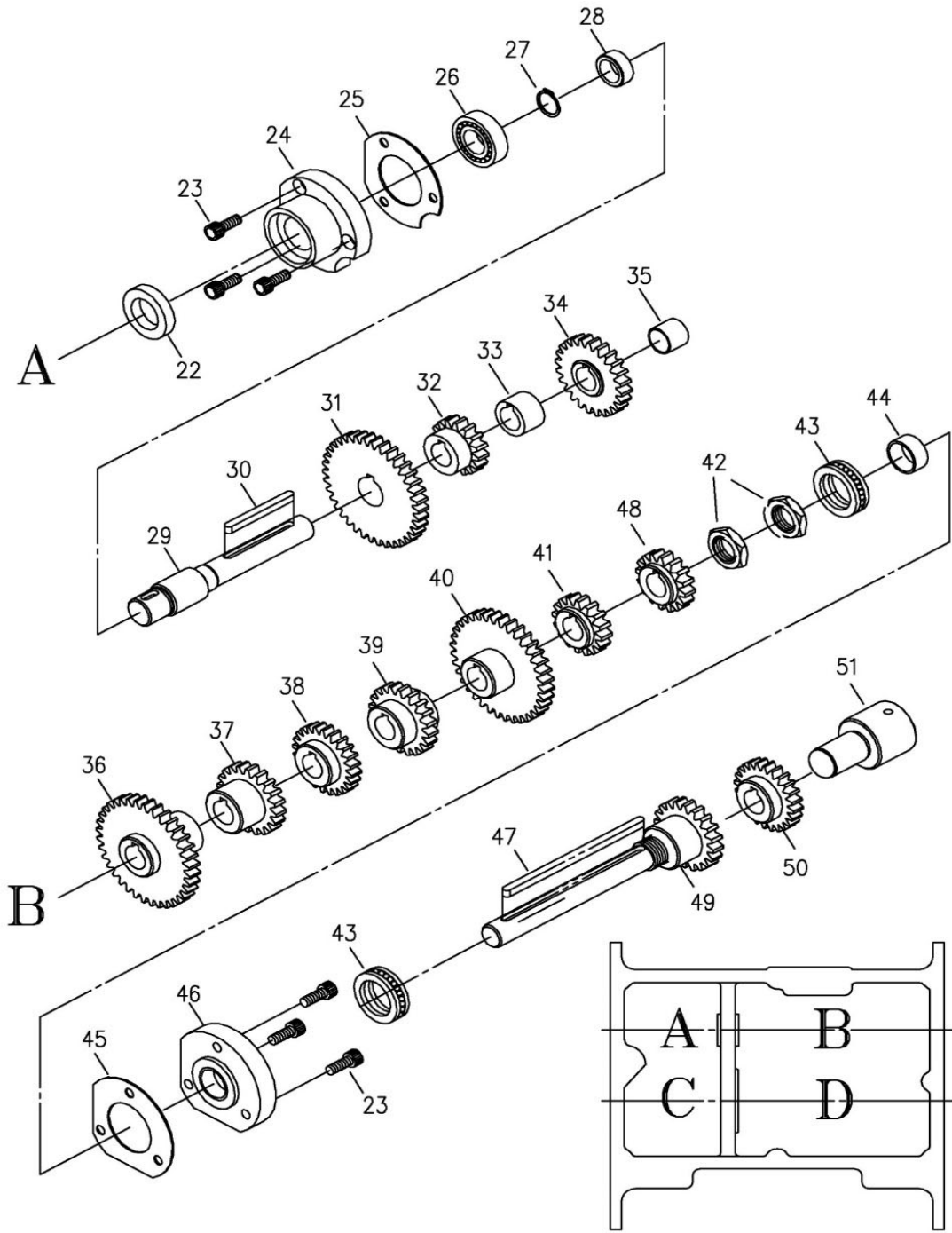
Index No	Part No	Description	Size	Qty
1	EVS1440B-A01	Headstock Casting	405Lx235Wx264H	1
2	EBL1236VS-A02	Headstock Cover	405Lx235Wx23H	1
3	TS-1503061	Socket Head Cap Screw	M6x25mm	13
4	EBL1236VS-A04	Plug	3/4 in.(PVC)	1
5	EBL1236VS-A05	Gasket For Headstock Cover		1
6	EBL1236VS-A06	Index Plate		2
7	EBL1236VS-A07	Handle	Ø45x35L	2
8	TS-1524011	Set Screw	M8x8L	2
9	EBL1236VS-A09	Spring	1/4inx27mm	2
10	SB-1/4	Steel Ball	1/4 in. dia	2
11	EBL1236VS-A11	Lever		2
12	EVS1440B-A12	Handle	Ø22xØ15x43L	2
	EVS1440B-A12A	Handle Assembly (includes #11,12)		2
13	EBL1236VS-A13	Pin	5x40mm	2
14	EBL1236VS-A14	Oil Seal	TC 16x26x7mm	2
15	EBL1236VS-A15	Shaft	Ø19.5x425L (Ø16)	1
16	EBL1236VS-A16	Pin	Ø5x30mm	1
17	EBL1236VS-A17	Oil Seal	TC 19x32x8mm	1
18	EBL1236VS-A18	Shaft Fork	PCD 62x50L	1
19	EBL1236VS-A19	Shift Fork	Ø19x26.5	2
20	TS-1523011	Set Screw	M6x6L	4
21	EBL1236VS-A21	Collar		1
22	EBL1236VS-A22	Shaft	Ø19.5x425L (Ø16)	1
23	EBL1236VS-A23	Shift Fork	122L 55h	2
24	EBL1236VS-A24	Shift Fork		2
25	EVS1440B-A25	Headstock Plate		1
26	EBL1236VS-A26	Oil Sight	1-1/8 in.(28mm.)	1
29	EBL1236VS-A29	Main Spindle	Ø117.5x408.1L	1
30	EBL1236VS-A30	Key	8x70mm	1
31	EBL1236VS-A31	Key	7x40mm	1
32	EBL1236VS-A32	Cover	Ø145xØ80.5x25W	1
33	EBL1236VS-A33	Gasket		1
34	EBL1236VS-A34	Oil Seal	TC Ø80xØ105xØ10mm	1
35	BB-32212	Bearing	No.32212	1
36	EBL1236VS-A36	Gear	2M 82T	1
37	EBL1236VS-A37	Collar	Ø75xØ55x26 key 8x4.5	1
38	EBL1236VS-A38	Gear	2M 43T	1
39	EBL1236VS-A39	Collar	Ø52.25xØ52x20W key 7x3.5	1
40	EBL1236VS-A40	Gear	1.75M 45T	1
41	EBL1236VS-A41	Circlip	S-50mm	1
42	BB-30210	Bearing	No.30210	1
43	EBL1236VS-A43	Oil Seal	TC 65x85x12mm	1
44	EBL1236VS-A44	Gasket		1
45	EBL1236VS-A45	Cover	Ø123x21W	1
46	TS-1503051	Socket Head Cap Screw	M6x20mm	3
47	EBL1236VS-A47	Collar	Ø64.5xØ50x20W	1
48	EBL1236VS-A48	Nut	Ø75x19W	1
49	TS-1503031	Socket Head Cap Screw	M6x12mm	2
50	EBL1236VS-A50	Index Ring	Ø72xØ45x12	1
51	EBL1236VS-A51	Cam Lock		3
52	EBL1236VS-A52	Pin		3
53	EBL1236VS-A53	Spring		3
54	EBL1236VS-A54	Screw		3
55	TS-1504051	Socket Head Cap Screw	M8x25L	1
56	EBL1236VS-A56	Washer	Ø44xØ7.9x17	1
57	EBL1236VS-A57	Pulley	Ø114.3xØ21.35x50W	1
58	EBL1236VS-A58	Oil Seal	TC 25x40x8mm	1
59	TS-1503041	Socket Head Cap Screw	M6x16mm	6
60	EBL1236VS-A60	Cover	Ø80x21L (Ø35)	1
61	EBL1236VS-A61	Gasket		1

Index No	Part No	Description	Size	Qty
62	EBL1236VS-A62	Circlip	S-25mm	3
63	BB-6205	Bearing	No.6205	1
64	EBL1236VS-A64	Shaft	Ø30x302L 21x25x5	1
65	EBL1236VS-A65	Circlip	S-38mm	1
66	EBL1236VS-A66	Gear	2M 60T	1
67	EBL1236VS-A67	Key	8x30mm	1
68	EBL1236VS-A68	Gear	2M 21T	1
69	BB-6204	Bearing	No.6204	1
70	EBL1236VS-A70	Circlip	S-20mm	3
71	EBL1236VS-A71	O-Ring	42x48x3.0mm	1
72	EBL1236VS-A72	Plug	Ø47x12W	1
73	EBL1236VS-A73	Shaft	Ø25x109L key 5x2.5	1
74	EBL1236VS-A74	Key	5x20mm	1
75	BB-6004	Bearing	No.6004	2
76	EBL1236VS-A76	Cover	P.C.D. Ø42xØ32x32L	1
77	EBL1236VS-A77	O-Ring	34x40x3.0mm	1
78	EBL1236VS-A78	Oil Seal	TC 20x32x2.5mm	1
79	EBL1236VS-A79	Collar	Ø30xØ20x16W key 7x3.5	1
80	EBL1236VS-A80	Gear	1.75M 35/45T	1
81	EBL1236VS-A81	O-Ring	20x25x2.5mm	1
82	EBL1236VS-A82	Shaft	Ø25x85L	1
83	EBL1236VS-A83	Gear	1.75M 35/45T	1
84	EBL1236VS-A84	Collar	Ø28xØ20x3W	1

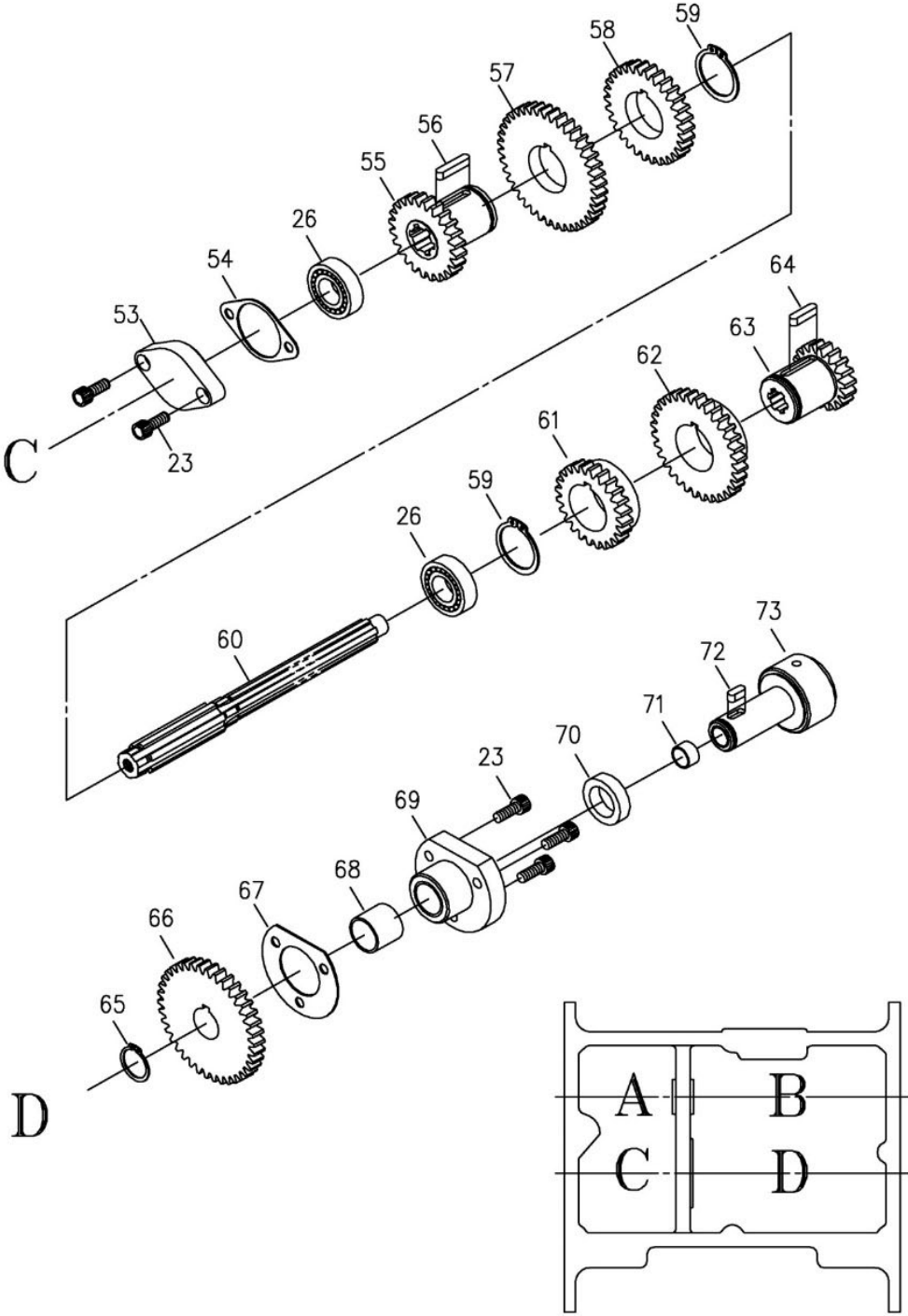
15.2.1 EVS-1440B Gearbox Assembly – Exploded View I



15.2.2 EVS-1440B Gearbox Assembly – Exploded View II



15.2.3 EVS-1440B Gearbox Assembly – Exploded View III

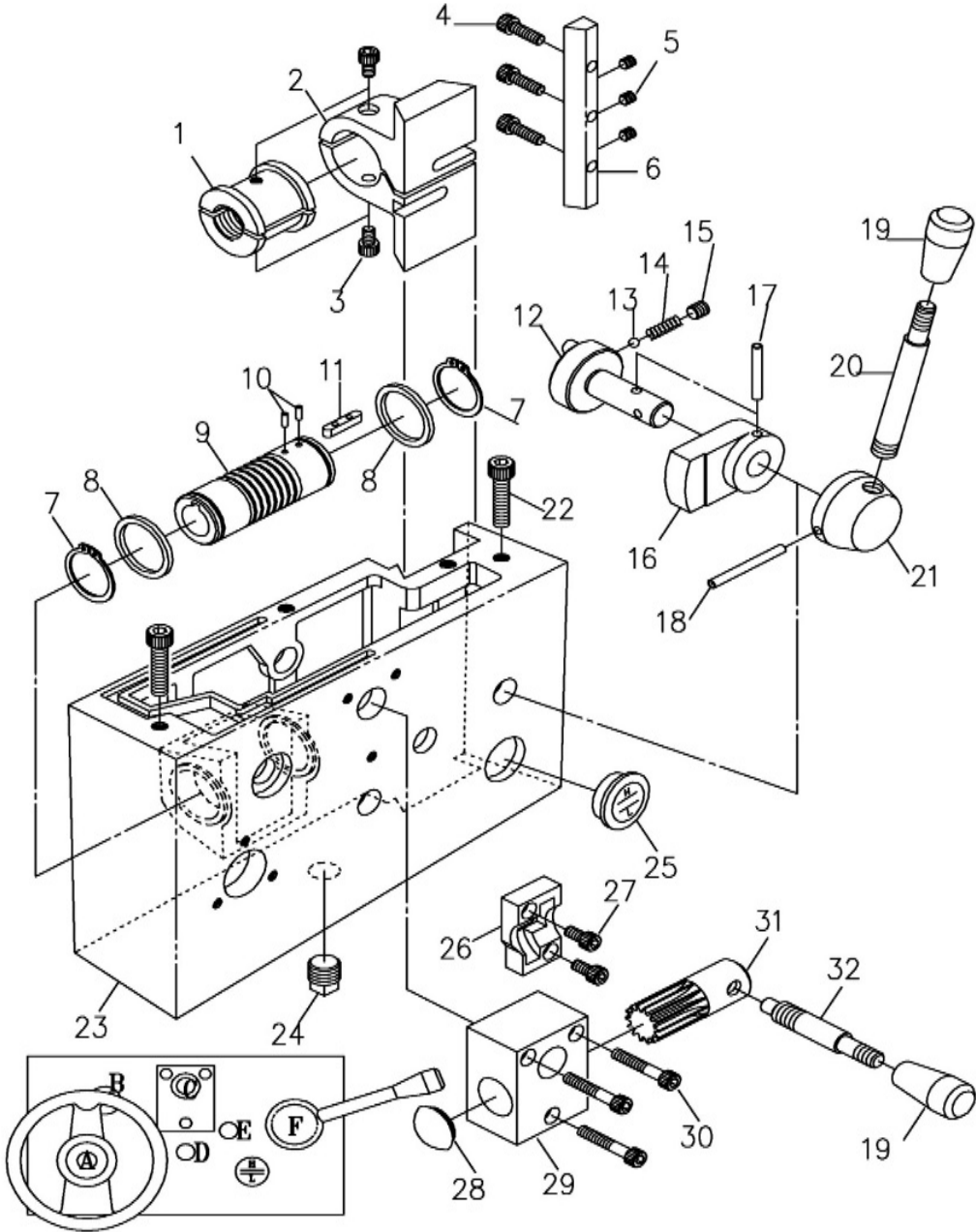


15.2.4 EVS-1440B Gearbox Assembly – Parts List

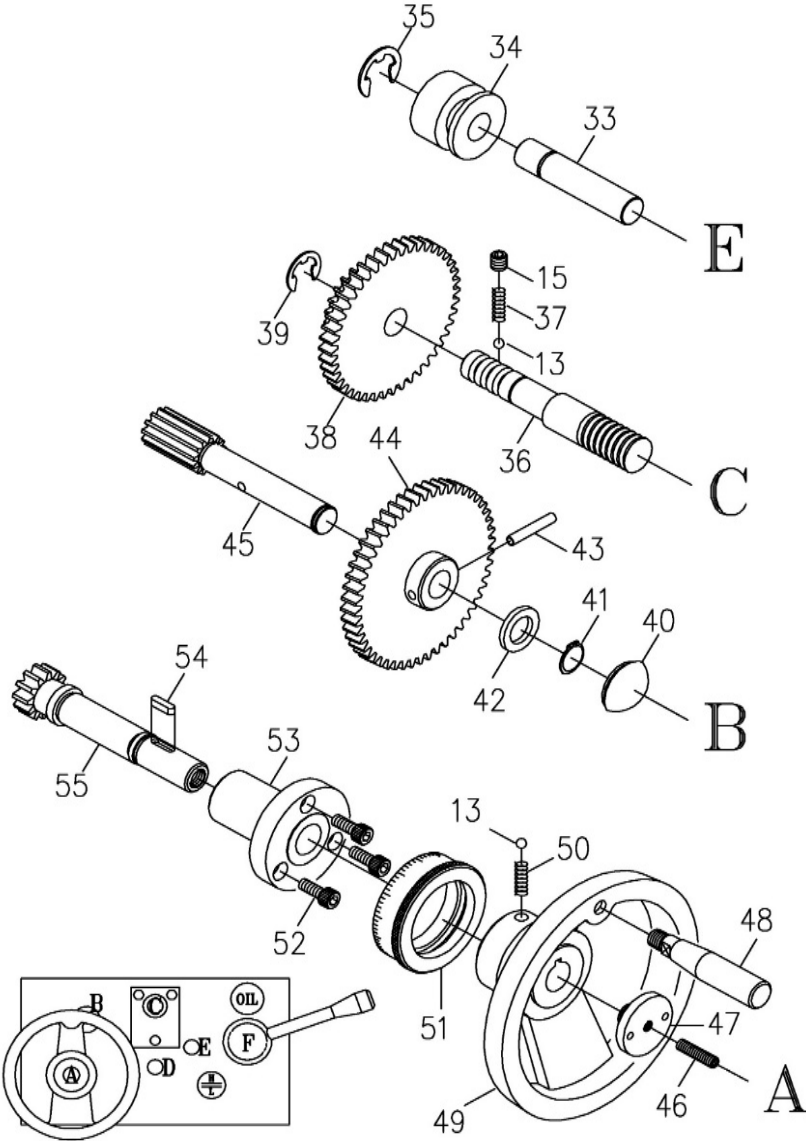
Index No	Part No	Description	Size	Qty
1	EBL1236VS-B01	Gear Box		1
2	EBL1236VS-B02	Gasket For Gearbox		1
3	EBL1236VS-B03	Gear Box Cover		1
4	EBL1236VS-B04	Gasket For Gearbox Cover		1
5	EBL1236VS-B05	Index Plate		3
6	TS-1524011	Set Screw	M8x8L	3
7	EBL1236VS-B07	Spring	1/4 in x 27mm	3
8	SB-1/4	Ball Steel	1/4 in. dia	3
9	EBL1236VS-B09	Handle	Ø45x35L	2
10	EBL1236VS-B10	Lever		2
11	EVS1440B-A12	Handle	dia.22xdia.15 x43L	2
	EVS1440B-B11A	Handle Assembly (includes #10,11)		2
12	EBL1236VS-B12	Pin	Ø5x40mm	2
13	EBL1236VS-B13	Lever		2
14	EBL1236VS-B14	Oil Seal	TC 16x26x7mm	2
15	EBL1236VS-B15	Shift Lever		2
16	EBL1236VS-B16	Shift Fork		1
17	EBL1236VS-B17	Shift Fork		1
18	EVS1440B-B18	Gear Box Plate		1
19	TS-1503061	Socket Head Cap Screw	M6x25mm	8
20	TS-1504131	Socket Head Cap Screw	M8x70mm	3
21	EBL1236VS-B21	Oil Sight	1-1/8 in.(28mm.)	1
22	EBL1236VS-B22	Oil Seal	TC 22x35x7mm	1
23	TS-1503041	Socket Head Cap Screw	M6x16mm	11
24	EBL1236VS-B24	Cover		1
25	EBL1236VS-B25	Gasket		1
26	BB-6003	Bearing	No.6003	3
27	EBL1236VS-B27	Circlip	S-16mm	1
28	EBL1236VS-B28	Collar		1
29	EBL1236VS-B29	Shift		1
30	EBL1236VS-B30	Key	5x55mm	1
31	EBL1236VS-B31	Gear	2M 32T	1
32	EBL1236VS-B32	Gear	2M 16T	1
33	EBL1236VS-B33	Collar		1
34	EBL1236VS-B34	Gear	2M 24T	1
35	EBL1236VS-B35	Collar	LFB-1615	1
36	EBL1236VS-B36	Gear	2M 30T	1
37	EBL1236VS-B37	Gear	2.75M 20T	1
38	EBL1236VS-B38	Gear	2.75M 18T	1
39	EBL1236VS-B39	Gear	2.75M 16T	1
40	EBL1236VS-B40	Gear	2.25M 28T	1
41	EBL1236VS-B41	Gear	2M 16T	1
42	EBL1236VS-B42	Nut		2
43	BB-51104	Thrust Bearing	No.51104	2
44	EBL1236VS-B44	Collar	LFB-2010	1
45	EBL1236VS-B45	Gasket		1
46	EBL1236VS-B46	Cover		1
47	EBL1236VS-B47	Key	5x70mm	1
48	EBL1236VS-B48	Gear		1
49	EBL1236VS-B49	Shaft		1
50	EBL1236VS-B50	Shaft		1
51	EBL1236VS-B51	Clutch		1
52	EBL1236VS-B52	Handle		1
53	EBL1236VS-B53	Cover		1
54	EBL1236VS-B54	Gasket		1
55	EBL1236VS-B55	Gear	2M 2T	1
56	EBL1236VS-B56	Key	5x15mm	1
57	EBL1236VS-B57	Gear	2M 40T	1
58	EBL1236VS-B58	Gear	2M 30T	1
59	EBL1236VS-B59	Circlip	S-30	2

Index No	Part No	Description	Size	Qty
60	EBL1236VS-B60	Shaft		1
61	EBL1236VS-B61	Gear	2M 25T	1
62	EBL1236VS-B62	Gear	2.75M 20T	1
63	EBL1236VS-B63	Gear	2.25M 20T	1
64	EBL1236VS-B64	Key	5x20mm	1
65	EBL1236VS-B65	Circlip	S-20mm	1
66	EBL1236VS-B66	Gear	2M 38T	1
67	EBL1236VS-B67	Gasket		1
68	EBL1236VS-B68	Collar	LFB-2020	1
69	EBL1236VS-B69	Cover		1
70	EBL1236VS-B70	Oil Seal	TC 20x30x8mm	1
71	EBL1236VS-B71	Collar	LFB-1208	1
72	EBL1236VS-B72	Key	5x12mm	1
73	EBL1236VS-B73	Shaft		1

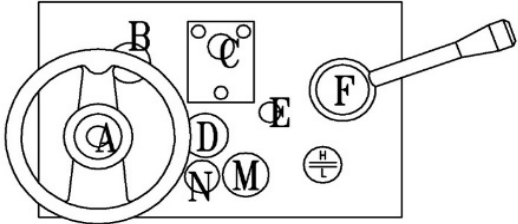
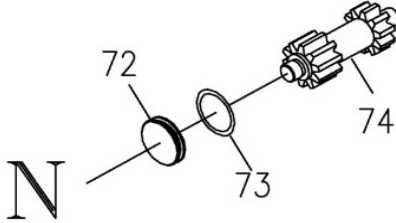
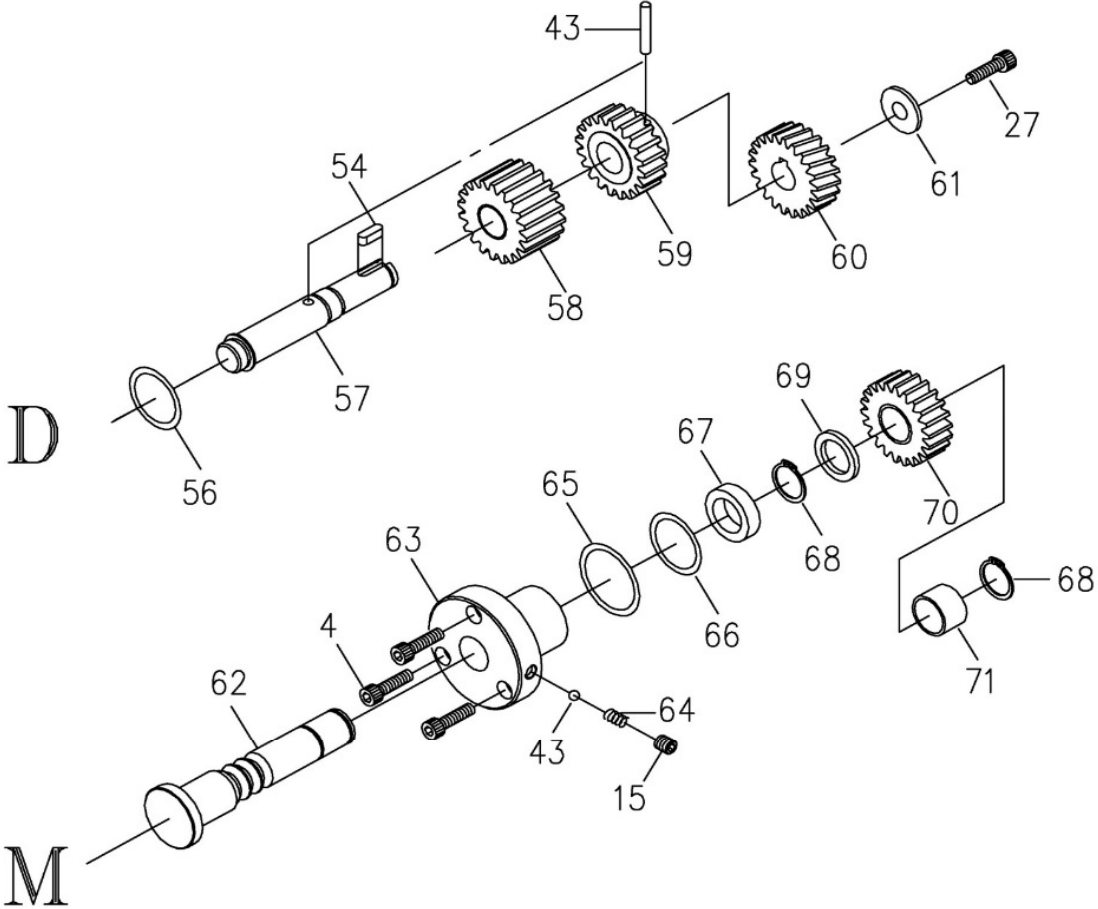
15.3.1 EVS-1440B Apron Assembly – Exploded View I



15.3.2 EVS-1440B Apron Assembly – Exploded View II



15.3.3 EVS-1440B Apron Assembly – Exploded View III

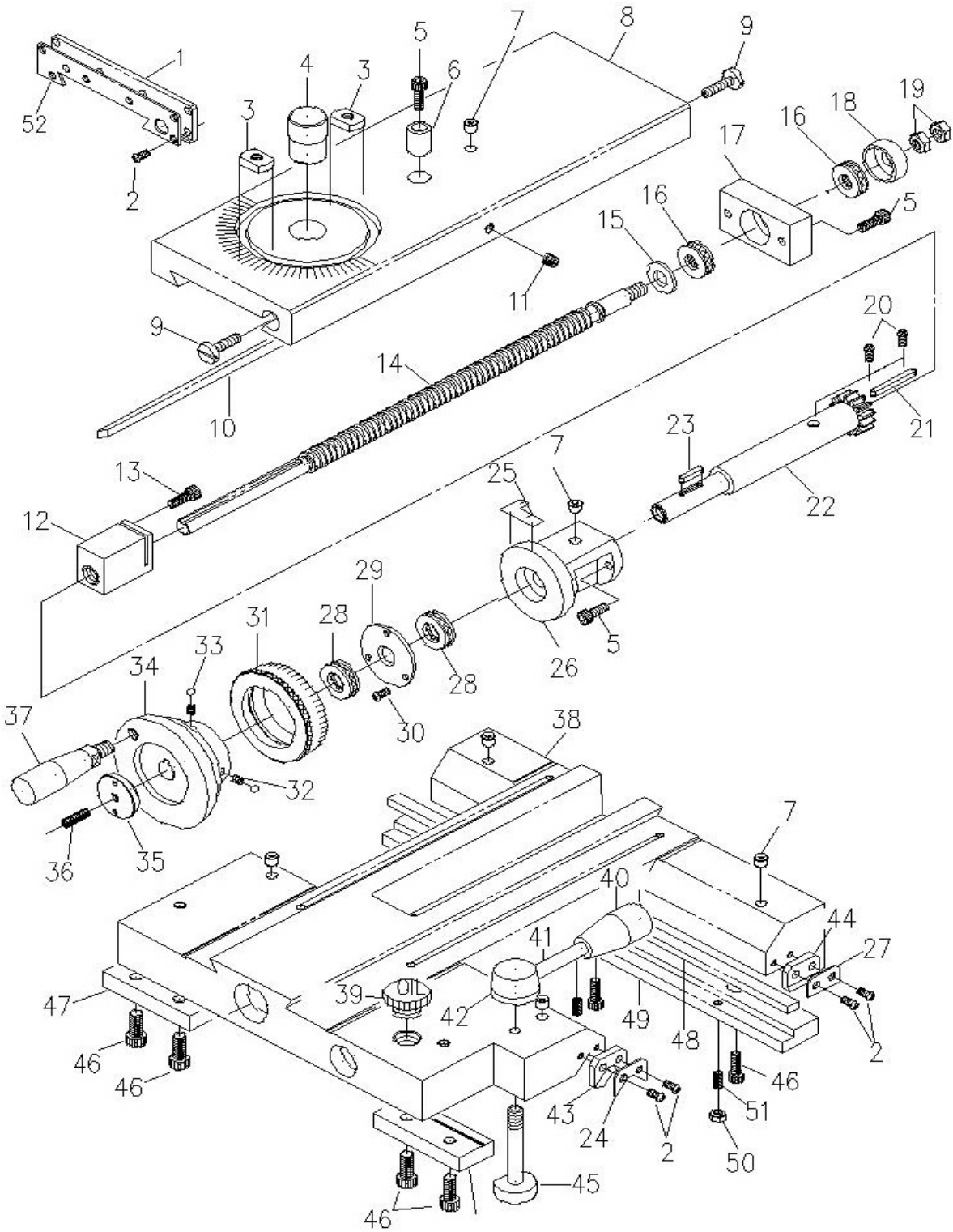


15.3.4 EVS-1440B Apron Assembly – Parts List

Index No	Part No	Description	Size	Qty
1	EBL1236VS-C01	Half Nut	8TPI	1
2	EBL1236VS-C02	Half Nut Bracket	105Lx50Wx71h	1
3	TS-1503021	Socket Head Cap Screw	M6x10mm	2
	EBL1236VS-C01A	Half Nut Assembly (includes #1~3)		1
4	TS-1503051	Socket Head Cap Screw	M6x20mm	6
5	TS-1523031	Set Screw	M6x10mm	3
6	EBL1236VS-C06	Gib	13.8Wx10Hx125L	1
7	EBL1236VS-C07	Circlip	S-30mm	2
8	EBL1236VS-C08	Collar	Ø38.1xØ31x3t	2
9	EBL1236VS-C09	Worm	Ø19.05xØ31x841L	1
10	EBL1236VS-C10	Pin	3x8 mm	2
	EBL1236VS-C08A	Collar Assembly (includes #8~10)		1
11	EBL1236VS-C11	Key	5x25mm	1
12	EBL1236VS-C12	Shaft	Ø39.9x61L	1
13	SB-1/4	Ball Steel	1/4 in. dia	4
14	EBL1236VS-C14	Spring	1/4 in x 25mm	1
15	TS-1524011	Set Screw	M8x8mm	3
16	EBL1236VS-C16	Lever	62Lx36Wx17H	1
17	EBL1236VS-C17	Pin	Ø5x36mm	1
18	EBL1236VS-C18	Pin	Ø5x60mm	1
19	EVS1440B-A12	Handle	dia.22x dia.15 x43L	2
	EVS1440B-C19A	Handle Assembly (includes #19,20)		1
20	EBL1236VS-C20	Lever	Ø1/2"x107mmL	1
21	EBL1236VS-C21	Handle	Ø50x30L Ø16	1
22	TS-1504071	Socket Head Cap Screw	M8x35mm	2
23	EBL1236VS-C23	Apron	276Lx78Wx172H	1
24	EBL1236VS-C24	Plug	3/8 G.P.	1
25	EBL1236VS-C25	Oil Sight	3/4 in. (19mm)	1
26	EBL1236VS-C26	Cam	50x30x12H	1
27	TS-1503031	Socket Head Cap Screw	M6x12mm	2
28	EBL1236VS-C28	Plug	Ø28x8W	1
29	EBL1236VS-C29	Keep Assembly	65Lx50Wx35H	1
30	TS-1503081	Socket Head Cap Screw	M6x35mm	3
31	EBL1236VS-C31	Gear Shaft	Ø24x67L	1
32	EBL1236VS-C32	Lever	Ø1/2"x80mmL	1
	EVS1440B-C32A	Handle Assembly (includes #19,32)		1
33	EBL1236VS-C33	Shaft	Ø16x77L	1
34	EBL1236VS-C34	Collar	Ø38xØ16x30L	1
35	EBL1236VS-C35	Circlip	E-15mm	1
36	EBL1236VS-C36	Shaft	Ø20x122L	1
37	EBL1236VS-C37	Spring	1/4in x 20mm	1
38	EBL1236VS-C38	Gear	2M 22/44T	1
39	EBL1236VS-C39	Circlip	E-12mm	1
40	EBL1236VS-C40	Plug	Ø28x8W	1
41	EBL1236VS-C41	Circlip	S-16mm	1
42	EBL1236VS-C42	Collar	Ø25.4xØ16x3W	1
43	EBL1236VS-C43	Pin	Ø5x30mm	3
44	EBL1236VS-C44	Gear	2M 50T	1
45	EBL1236VS-C45	Rack Pinion	Ø22.5x120L	1
46	TS-1523071	Set Screw	M6x25mm	1
47	EBL1236VS-C47	Plug	35x15L ØM6 TAP	1
48	EBL1236VS-C48	Handle	Ø5/8"x77mmL	1
49	EBL1236VS-C49	Handwheel	Ø140x68H Ø17	1
50	EBL1236VS-C50	Spring	1/4 in. x 8mm	2
51	EBL1236VS-C51	Index Ring	Ø63xØ45x20W	1
52	TS-1503041	Socket Head Cap Screw	M6x16mm	3
53	EBL1236VS-C53	Keep Assembly	Ø60xØ18x57L	1
54	EBL1236VS-C54	Key	4x15mm	2
55	EBL1236VS-C55	Shaft	Ø28x108L key4x2	1
56	EBL1236VS-C56	O-Ring	P14	1

Index No	Part No	Description	Size	Qty
57	EBL1236VS-C57	Shaft		1
58	EBL1236VS-C58	Gear		1
59	EBL1236VS-C59	Gear		1
60	EBL1236VS-C60	Worm Gear	Ø30xØ14x23L	1
61	EBL1236VS-C61	Washer	Ø25xØ1/4"x3t	1
62	EBL1236VS-C62	Shaft		1
63	EBL1236VS-C63	Keep Assembly		1
64	EBL1236VS-C64	Spring	1/4 in.x 10mm	1
65	EBL1236VS-C65	O-Ring	3.5x34.7x41.7	1
66	EBL1236VS-C66	O-Ring	3.5x28.7x35.7	1
67	EBL1236VS-C67	Oil Seal	TC 20x30x8mm	1
68	EBL1236VS-C68	Circlip	S-20mm	2
69	EBL1236VS-C69	Collar		1
70	EBL1236VS-C70	Gear		1
71	EBL1236VS-C71	Collar	LFB-2012	1
72	EBL1236VS-C72	Plug		1
73	EBL1236VS-C73	O-Ring	2.4xØ21.8xØ26.6	1
74	EBL1236VS-C74	Gear Shaft		1

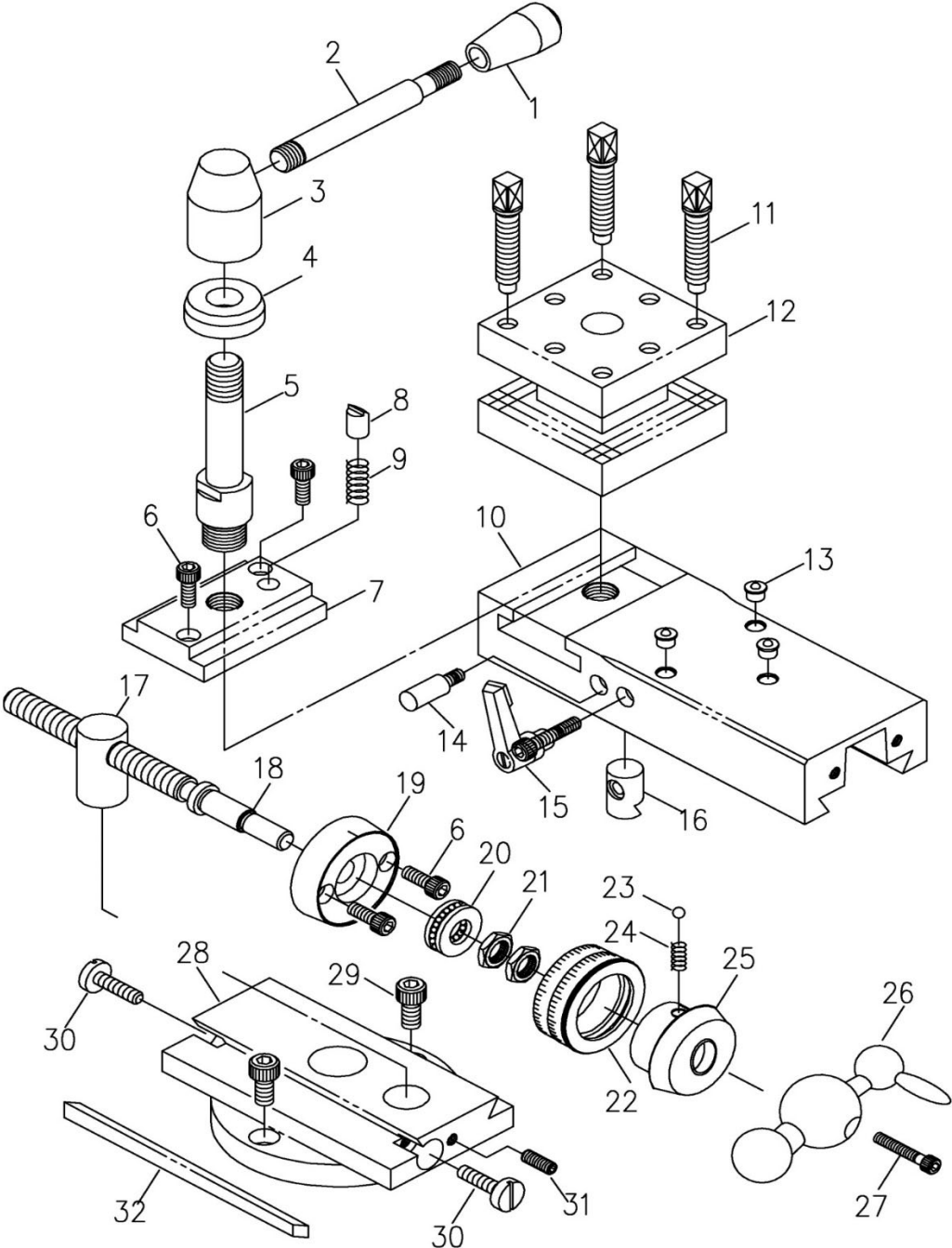
15.4.1 EVS-1440B Carriage Assembly – Exploded View



15.4.2 EVS-1440B Carriage Assembly – Parts List

Index No	Part No	Description	Size	Qty
1	E1340VS-D01	Wiper	PVC	1
2	E1340VS-D02	Screw	3/16x3/8 in.	14
3	E1340VS-D03	Nut	6.5txØ7/8"x14W	2
4	E1340VS-D04	Pivot	Ø25.4x35L	1
5	TS-1503051	Socket Head Cap Screw	M6x20mm	4
6	E1340VS-D06	Collar	Ø16x20L Ø1/4	1
7	E1340VS-D07	Ball Oiler	5/16 in.	6
8	EVS1440B-D08	Cross-Slide	370Lx130Wx30H	1
9	E1340VS-D09	Gib Screw	Ø5/8"x30L	2
10	E1340VS-D10	Gib	15x23x460	1
11	TS-1524011	Set Screw	M8x8mm	1
12	E1340VS-D12	Nut	45Lx25Wx32h	1
13	TS-1503031	Socket Head Cap Screw	M6x12mm	1
14	E1340VS-D14	Screw	Ø5/8"x430L 10TPI	1
	E1340VS-D12A	Nut Assembly (includes #12~14)		1
15	E1340VS-D15	Washer	Ø25x1/2"x3t	1
16	BB-51101	Thrust	NO. 51101	2
17	EVS1440B-D17	Keep Assembly	64x35x20H	1
18	E1340VS-D18	Bearing Cover	Ø31xØ12x11.5L	1
19	TS-0561031	Nut	3/8 in.	1
20	E1340VS-D20	Nail	2 mm	2
21	E1340VS-D21	Key	4x40 mm.	1
22	E1440VS-D22	Gear		1
22	E1340VS-D22	Gear	Ø32x139L	1
23	E1340VS-D23	Key	4x20 mm.	1
24	E1340VS-D24	Wiper		2
25	E1340VS-D25	Index Plate		1
26	EVS1440B-D26	Keep Assembly	Ø70x73LxØ22	1
27	E1340VS-D27	Wiper		2
28	BB-51102	Thrust	NO. 51102	2
29	E1340VS-D29	Washer	Ø49.5xØ16x36	1
30	TS-081F021	Screw	1/4x3/8 in.	3
31	E1340VS-D31	Index Ring	Ø73xØ50x19.9L	1
32	E1340VS-D32	Spring	1/4 in.x20mm.	2
33	E1340VS-D33	Steel Ball	1/4 in.	2
34	E1340VS-D34	Handwheel	Ø90xØ15x49L	1
35	E1340VS-D35	Plug	Ø35x15L M6TAP	1
36	TS-1523071	Set Screw	M6x25mm	1
37	E1340VS-D37	Handle	Ø19x80L	1
38	E1340VS-D38	Saddle Casting	312Lx310Wx67H	1
39	E1340VS-D39	Plug	3/4 in. (P.V.C)	1
40	EVS1440B-A12	Handle	dia.22xdia.15 x43L	1
	EVS1440B-D40A	Handle Assembly (includes #40,41)		1
41	E1340VS-D41	Handle	Ø3/8"x65L	1
42	E1340VS-D42	Handle	Ø5/4"x22W	1
43	E1340VS-D43	Wiper	PVC	2
44	E1340VS-D44	Wiper	PVC	1
45	E1340VS-D45	Screw	Ø9/8"x75L	1
46	TS-1504041	Socket Head Cap Screw	M8x20mm	7
47	E1340VS-D47	Strip	80Lx31Wx13H	2
48	E1340VS-D48	Gib	10Wx5Tx310L	1
49	E1340VS-D49	Strip	310L33.5Wx15H	1
50	TS-1540041	Nut	M6mm	3
51	TS-1523051	Set Screw	M6x16mm	3
52	E1340VS-D52	Wiper		1

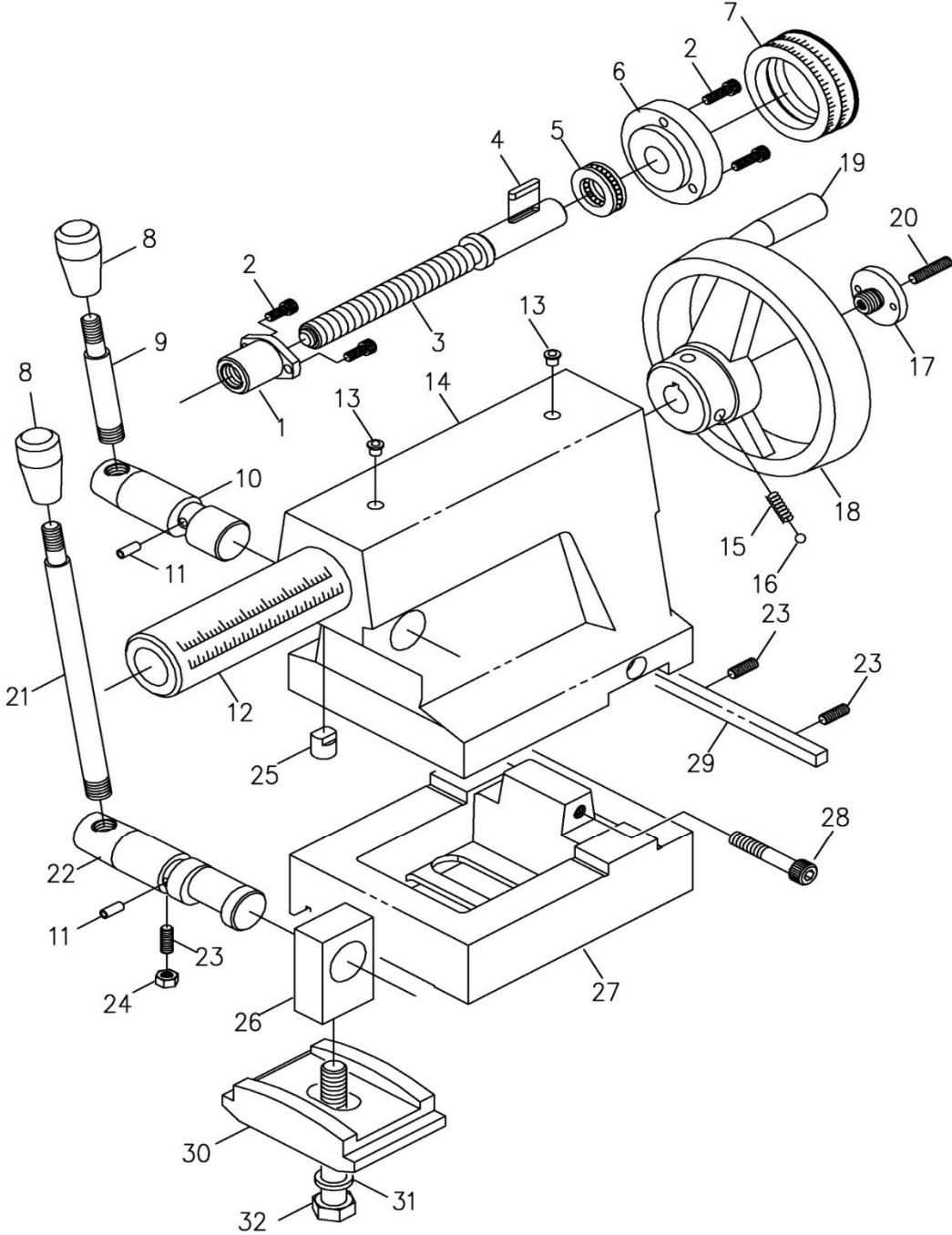
15.5.1 EVS-1440B Tool Post Assembly – Exploded View



15.5.2 EVS-1440B Tool Post Assembly – Parts List

Index No	Part No	Description	Size	Qty
1	EVS1440B-A12	Handle	dia.22x dia.15 x43L	1
	EVS1440B-E01A	Handle Assembly (includes #1,2)		1
2	EBL1236VS-E02	Lever	Ø1/2"x107L	1
3	EBL1236VS-E03	Handle Hub	Ø12" 62H"	1
4	EBL1236VS-E04	Washer	Ø35xØ16x12h	1
5	EBL1236VS-E05	Bolt	Ø24x106.5L	1
6	TS-1503041	Socket Head Cap Screw	M6x16mm	4
7	EBL1236VS-E07	T Nut		1
8	EBL1236VS-E08	Pad	Ø3/8"x15L	1
9	EBL1236VS-E09	Spring	3/8 in x 20mm	1
10	EBL1236VS-E10	Top Slide	200Lx75Wx37W	1
11	EBL1236VS-E11	Screw	Ø12.7x65	8
12	EVS1440B-E12	Tool Post	75x75x64H	1
13	EBL1236VS-E13	Ball Oiler	5/16 in	3
14	EBL1236VS-E14	Pin		1
15	EBL1236VS-E15	Handle		1
16	EBL1236VS-E16	Pad	Ø16x24L	1
17	EBL1236VS-E17	Nut	Ø20x40L	1
18	EBL1236VS-E18	Screw	Ø15.8x170L	1
	EBL1236VS-E17A	Nut Assembly (Includes #17~18)		1
19	EBL1236VS-E19	Keep Assembly	Ø52.5xØ12x15L	1
20	BB-51101	Thrust	No.51101	2
21	TS-1540083	Nut	M12xPC1.25 4T	2
22	EBL1236VS-E22	Index Ring	Ø49.5~Ø48xØ20L	1
23	SB-1/4	Steel Ball	1/4 in. dia	1
24	EBL1236VS-E24	Spring	1/4 in.x 8mm	1
25	EBL1236VS-E25	Keep Assembly		1
26	EBL1236VS-E26	Three Ball Handle		1
27	TS-1503071	Socket Head Cap Screw	M6x30mm	1
28	EVS1440B-E28	Swivel Slide	140x75x43H Dia.110	1
29	TS-1504031	Socket Head Cap Screw	M8x16mm	2
30	EBL1236VS-E30	Gib Screw	5/8"x30L	2
31	TS-1523051	Set Screw	M6x16mm	1
32	EBL1236VS-E32	Gib	12x20x190mm	1

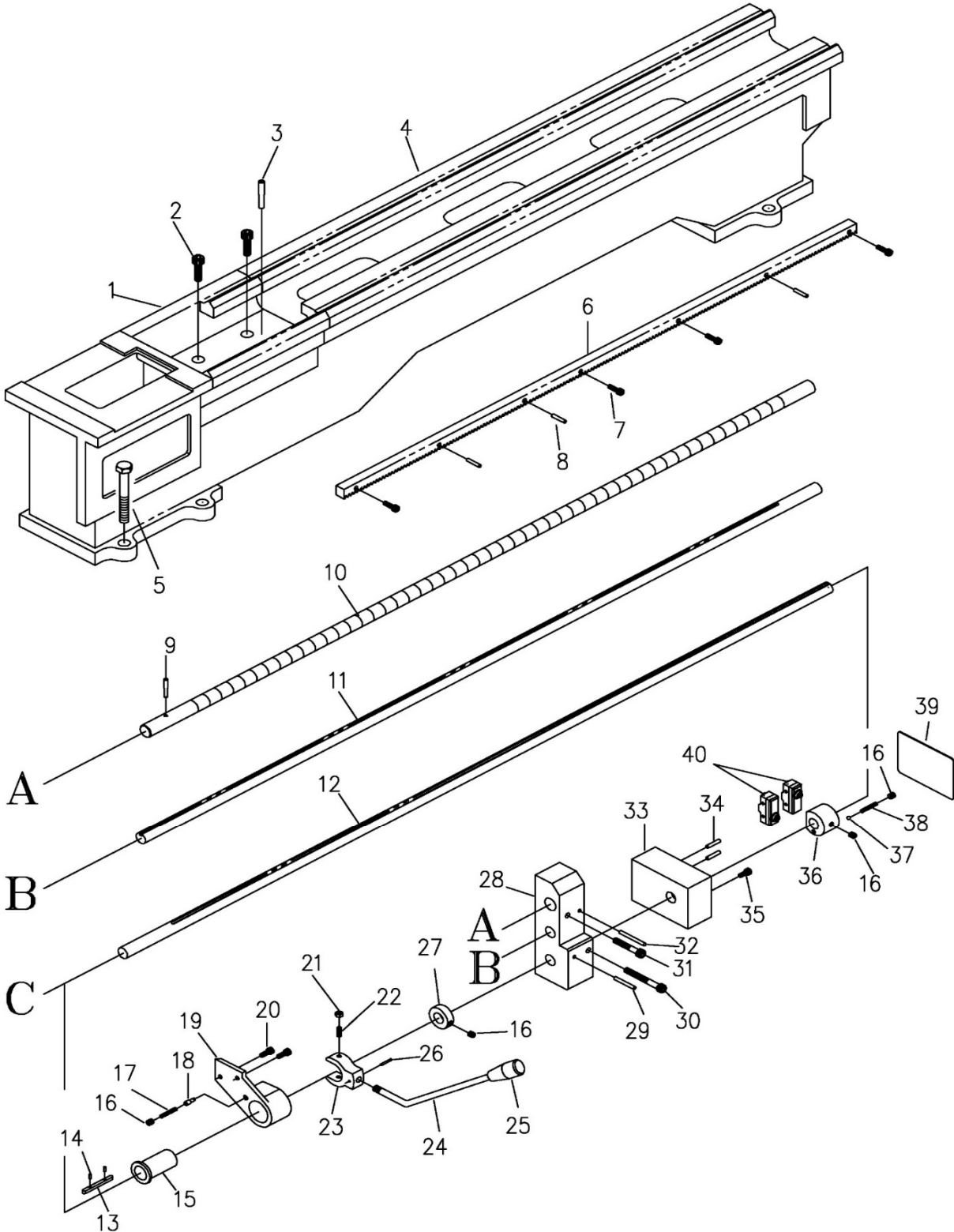
15.6.1 EVS-1440B Tailstock Assembly – Exploded View



15.6.2 EVS-1440B Tailstock Assembly – Parts List

Index No	Part No	Description	Size	Qty
1	EBL1236VS-F01	Nut	30L	1
2	TS-1502041	Socket Head Cap Screw	M5x16mm	4
3	EBL1236VS-F03	Screw	Ø20.5x179L	1
	EBL1236VS-F01A	Nut Assembly (includes #1~3)		1
4	EBL1236VS-F04	Key	4x20mm	1
5	BB-51102	Thrust	No.51102	1
6	EBL1236VS-F06	Keep Assembly	Ø17xØ60x17L	1
7	EBL1236VS-F07	Index Ring	Ø61.5~Ø60xØ45x20W	1
8	EVS1440B-A12	Handle	dia.22x dia.15 x43L	2
	EVS1440B-F08A	Handle Assembly (includes #8,9)		1
9	EBL1236VS-F09	Lever		1
10	EBL1236VS-F10	Shaft	Ø25xØ16x91L	1
11	EBL1236VS-F11	Pin	Ø5x12mm	1
12	EBL1236VS-F12	Barrel	2 Ø40x190L	1
13	EBL1236VS-F13	Ball Oiler	5/16 in	2
14	EVS1440B-F14	Tailstock Casting	200x127x171H Ø40	1
15	EBL1236VS-F15	Spring	1/4 in x 20mm	2
16	SB-1/4	Steel Ball	1/4 in. dia	2
17	EBL1236VS-F17	Screw	Ø35x16L	1
18	EBL1236VS-F18	Handwheel	Ø140x68h	1
19	EBL1236VS-F19	Handle	Ø5/8"x77L	1
20	TS-1523071	Set Screw	M6x25mm	1
21	EBL1236VS-F21	Lever	Ø1/2"x190	1
	EVS1440B-F21A	Handle Assembly (includes #8,21)		1
22	EBL1236VS-F22	Shaft	Ø25xØ18x114L	1
23	TS-1523051	Set Screw	M6x16mm	1
24	TS-1540041	Nut	M6	1
25	EBL1236VS-F25	Pad	2 Ø1/2"x14L	1
26	EBL1236VS-F26	Pivot Block	36Lx20Wx57H	1
27	EVS1440B-F27	Base	160x127x41H	1
28	TS-1504091	Socket Head Cap Screw	M8x45mm	2
29	EBL1236VS-F29	Gib	8x8x125	1
30	EBL1236VS-F30	Clamp Plate	65Wx94Lx28H	1
31	TS-0680061	Washer	1/2 in	1
32	TS-0070051	Cap Screw	1/2x2 in	1

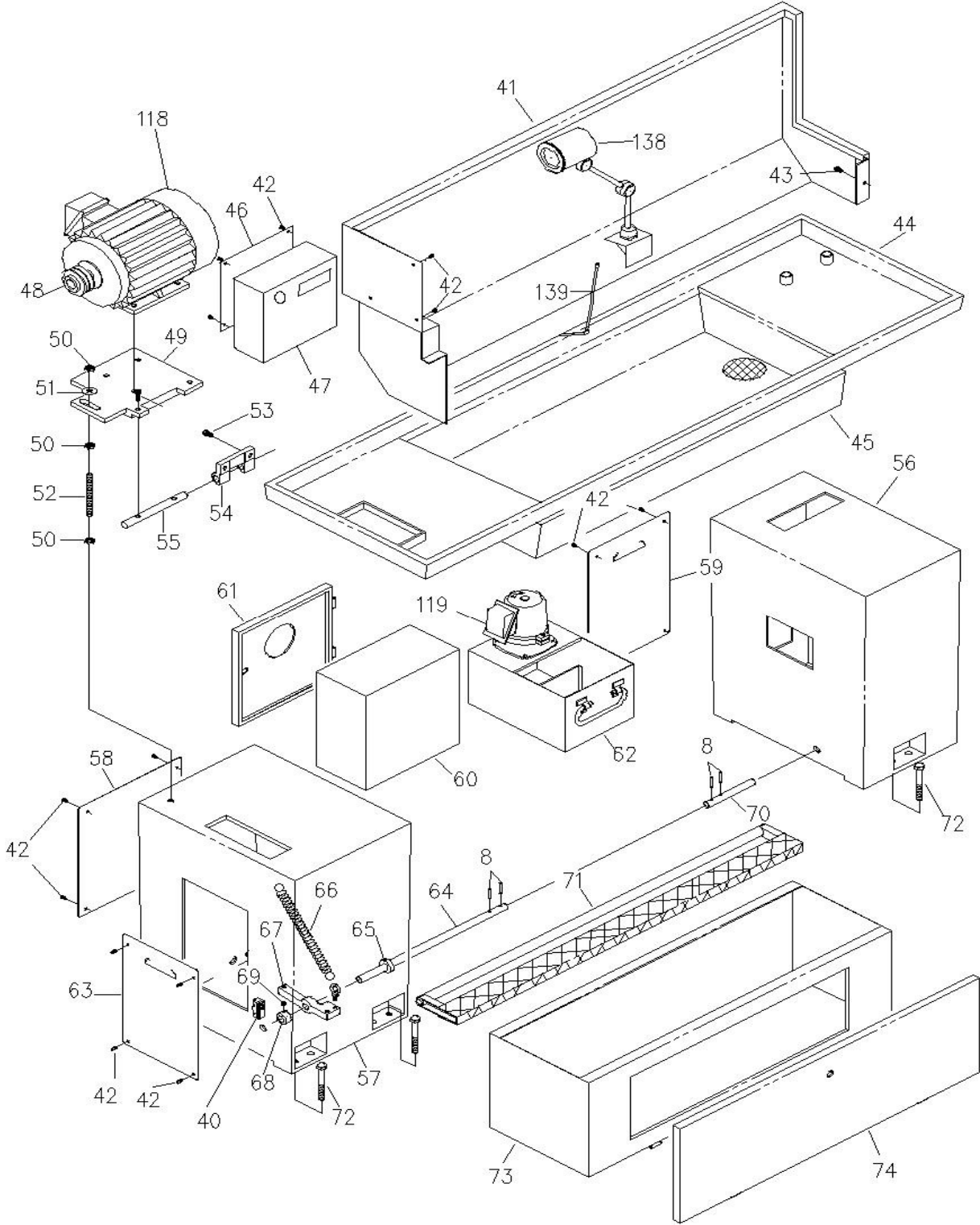
15.7.1 EVS-1440B Bed Assembly – Exploded View



15.7.2 EVS-1440B Bed Assembly – Parts List

Index No	Part No	Description	Size	Qty
1	EBL1236VS-G01	Gap Section	240x190x70	1
2	TS-1505051	Socket Head Cap Screw	M10x35mm	4
3	EBL1236VS-G03	Taper Pin	Ø4x38mm	2
4	EVS1440B-G04	Bed Casting	40"-1625	1
5	TS-0050031	Hex Cap Screw	1/2x1-3/4 in	6
6	EBL1236VS-G06	Rack	36" 990L	1
7	TS-1503051	Socket Head Cap Screw	M6x20mm	4
8	EBL1236VS-G08	Pin	Ø5x30mm	8
9	EVS1440B-G09	Taper Pin (Aluminum)	Ø 5.6x36L	3
10	EVS1440B-G10	Lead Screw	40" 1362L	1
11	EVS1440B-G11	Feed Shaft	40" 1385L	1
12	EVS1440B-G12	Spindle Direction Control Axle	40" 1445L	1
13	EBL1236VS-G13	Key	5x60mm	1
14	EBL1236VS-G14	Pin	Ø3x8 mm	2
15	EBL1236VS-G15	Sleeve	Ø38xØ19.05x60L	1
16	TS-1524011	Set Screw	M8x8mm	3
17	EBL1236VS-G17	Spring	1/4 in x 35mm	1
18	EBL1236VS-G18	Pin	Ø6.3x19L	1
19	EBL1236VS-G19	Bracket	Ø54	1
20	TS-1503041	Socket Head Cap Screw	M6x16mm	2
21	TS-1540041	Nut	M6	2
22	TS-1523051	Set Screw	M6x16mm	2
23	EBL1236VS-G23	Fork	Ø51x20	1
24	EBL1236VS-G24	Lever	Ø3/8" x220L	1
25	EBL1236VS-G25	Handle		1
	EVS1440B-G25A	Handle Assembly (includes #24,25)		1
26	EBL1236VS-G26	Pin	Ø3x20mm	1
27	EBL1236VS-G27	Collar	Ø38xØ19.05x12L	1
28	EBL1236VS-G28	Base		1
29	EBL1236VS-G29	Pin	Ø5x40mm	1
30	TS-1504131	Socket Head Cap Screw	M8x70mm	1
31	TS-1504101	Socket Head Cap Screw	M8x50mm	1
32	EBL1236VS-G32	Pin	Ø5x50mm	1
33	EBL1236VS-G33	Box	115Lx80Wx48h	1
34	EBL1236VS-G34	Pin	Ø5x35mm	2
35	TS-1503031	Socket Head Cap Screw	M6x12mm	1
36	EBL1236VS-G36	Collar	Ø44xØ19.5x30W	1
37	SB-1/4	Steel Ball	1/4 in. dia	1
38	EBL1236VS-G38	Spring	1/4 in x 30mm	1
39	EBL1236VS-G39	Cove		1
40	EBL1236VS-G40	Limit Switch		2

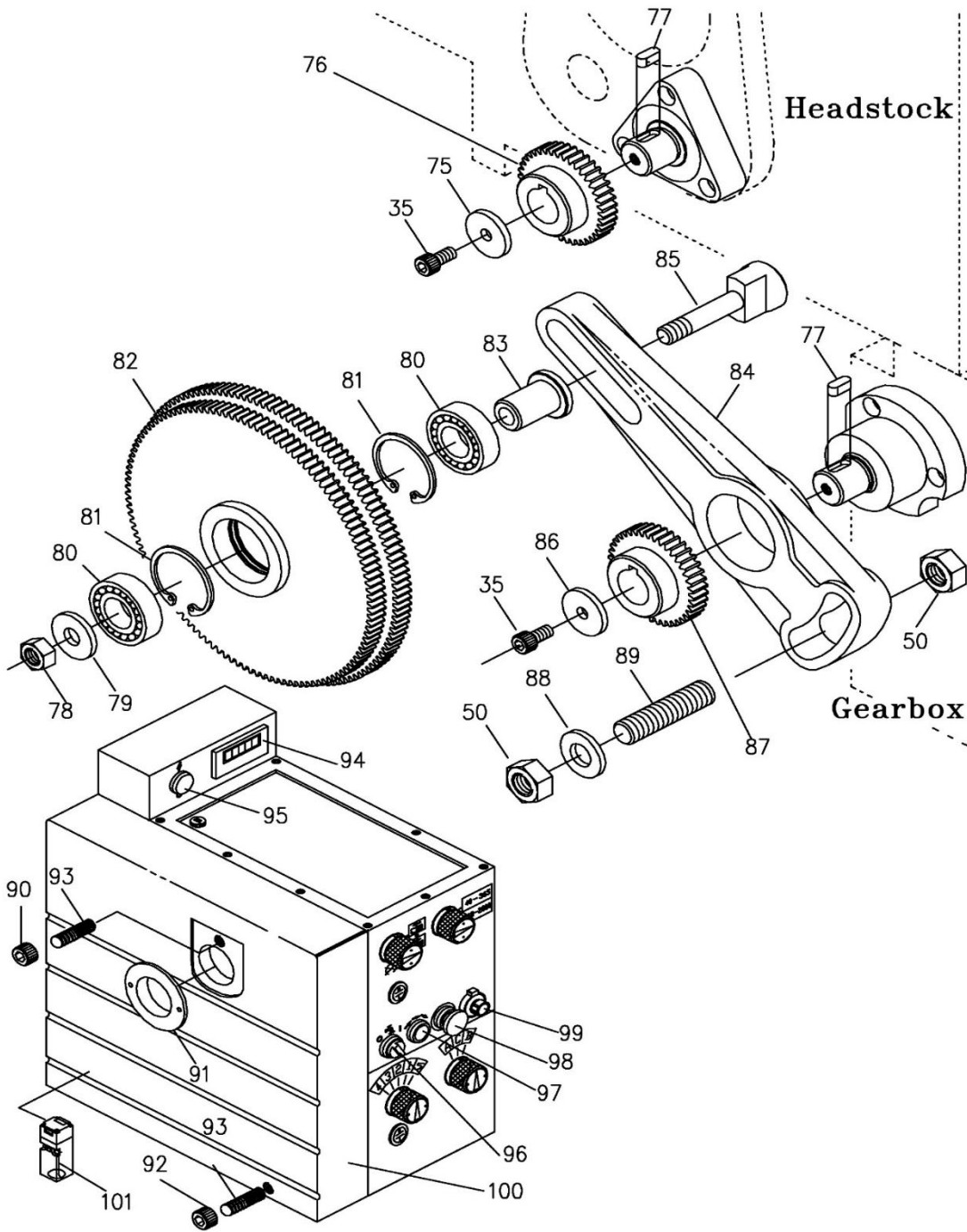
15.8.1 EVS-1440B Cabinet and Panel Assembly – Exploded View



15.8.2 EVS-1440B Cabinet and Panel Assembly – Parts List

Index No	Part No	Description	Size	Qty
41	EVS1440B-G41	Splash Guard	1385x266x509H	1
42	TS-0254011	Screw	1/4x3/8 in	19
43	EBL1236VS-G43	Cap Screw	1/4x1-1/4 in	1
44	EVS1440B-G44	Chip Pan	1750x510x67H	1
45	EVS1440B-G45	Chip Tray	1050x480x122H	1
46	EBL1236VS-G46	Guard	Gray color	1
47	EBL1236VS-G47	Cover	Gray color	1
48	EBL1236VS-G48	Pulley		1
49	EBL1236VS-G49	Motor Platform	275x220Wx1/2"T(12.7mm)	1
50	TS-0561051	Nut	1/2 in	3
51	TS-0680061	Washer	1/2 in	1
52	TS-0273121	Socket Hex Set Screw	1/2x3 in	1
53	TS-1504041	Socket Head Cap Screw	M8x20mm	2
54	EBL1236VS-G54	Bracket	109Lx65W	1
55	EBL1236VS-G55	Shaft	Ø3/4"x170L	1
56	EBL1236VS-G56	Floor Stand	500Wx300Lx620H	1
57	EBL1236VS-G57	Floor Stand	437Lx368Wx15H	1
58	EBL1236VS-G58	Cover	350Lx330Wx1.6T	1
59	EBL1236VS-G59	Cover	390Lx260Wx1.6T	1
60	EBL1236VS-G60	Electric Box	300x300x178x1.2T	1
61	EBL1236VS-G61	Cover	300x300x20x1.2T	1
	EBL1236VS-G60A	Electric Box Assembly (includes #60,61)		1
62	EBL1236VS-G62	Coolant Tank	310Lx220Wx170H	1
63	EBL1236VS-G63	Cover	350Lx240Wx1.6T	1
64	EBL1236VS-G64	Shaft		1
65	EBL1236VS-G65	Collar		1
66	EBL1236VS-G66	Spring		1
67	EBL1236VS-G67	Bolt		1
68	EBL1236VS-G68	Collar		1
69	TS-1524011	Set Screw	M8x8mm	1
70	EBL1236VS-G70	Shaft		1
71	EVS1440B-G71	Brake Pad	1550x150	1
72	TS-0100041	Cap Screw	1/2x1/4 in	6
73	EVS1440B-G73	Cabinet	1068x305x300	1
74	EVS1440B-G74	Front Cover	1060x300x20	1
	EVS1440B-G73A	Cabinet Assembly (includes #73,74)	1068x325x300	1
118	EVS1440B-G118	Main Motor	3HP,230/460V,3PH	1
119	EVS1440B-G119	Pump	1/8HP,115/230V,1PH,prewired 230V	1
138	EVS1440B-G138	Work Lamp	AC24V 9W 0.5m/500Lux	1
139	EVS1440B-G139	Pipe	1800mm	1
	EBL1236VS-GA32	Belt	A32	2
	EVS1440B-TB	Tool Box (see Figure 6-1 for contents)		

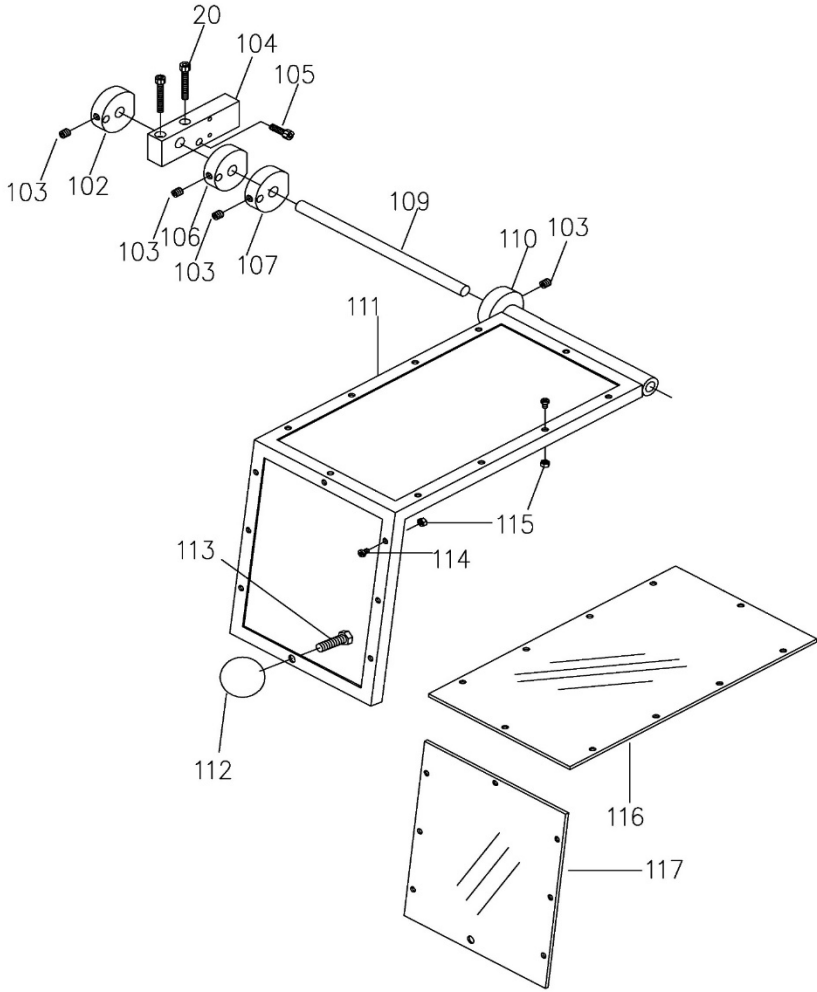
15.9.1 EVS-1440B End Gear Assembly – Exploded View



15.9.2 EVS-1440B End Gear Assembly – Parts List

Index No	Part No	Description	Size	Qty
35	TS-1503031	Socket Head Cap Screw	M6x12mm	2
50	TS-0561051	Nut	1/2 in	2
75	EBL1236VS-G75	Washer	Ø25xØ1/4"x3T	2
76	EBL1236VS-G76	Change Gear	26T	1
77	EBL1236VS-G77	Key	5x12mm	2
78	TS-0561031	Nut	3/8 in	1
79	EBL1236VS-G79	Washer	Ø25xØ3/8"x2T	1
80	BB-6003Z	Bearing	No.6003Z	2
81	EBL1236VS-G81	Circlip	R-35mm	2
82	EBL1236VS-G82	Double Gear	120/127T	1
83	EBL1236VS-G83	Shaft Collar	Ø25xØ3/8"x29L	1
84	EBL1236VS-G84	Swing Frame		1
85	EBL1236VS-G85	Shaft	Ø25x65L	1
86	EBL1236VS-G86	Washer		1
87	EBL1236VS-G87	Change Gear	52T	1
88	EBL1236VS-G88	Washer	Ø25x1/2"x3T	1
89	TS-0273101	Socket Hex Set Screw	1/2x2 in	1
90	EBL1236VS-G90	Nut		1
91	EBL1236VS-G91	Collar		1
92	EBL1236VS-G92	Nut		1
93	EBL1236VS-G93	Shaft		2
94	EBL1236VS-G94	RPM Speed Meter		1
95	EBL1236VS-G95	Pilot Light	ANPL-22	1
96	EBL1236VS-G96	Coolant Selecting Switch	ASS-22	1
97	EBL1236VS-G97	Jogging Push Button Switch	APB-22	1
98	EVS1440B-G98	Emergency Stop Switch	ALEPE-22	1
99	EBL1236VS-G99	Variable Speed Selector	RV24NY20S	1
100	EVS1440B-G100	End Cover		1
101	EBL1236VS-G101	End Cover Limit Switch		1
	EVS1440B-CGS	Change Gear Set (50/46/44/40/35/30 T)		1

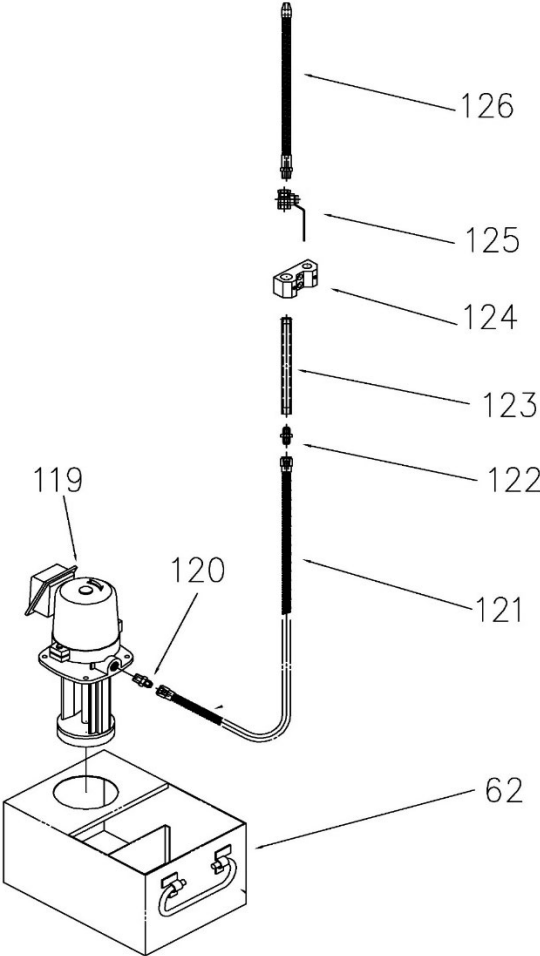
15.10.1 EVS-1440B Chuck Guard Assembly – Exploded View



15.10.2 EVS-1440B Chuck Guard Assembly – Parts List

Index No	Part No	Description	Size	Qty
20	TS-1503041	Socket Head Cap Screw	M6x16mm	2
102	EBL1236VS-G102	Cam		1
103	TS-1523021	Set Screw	M6x8mm	4
104	EBL1236VS-G104	Keep Assembly		1
105	TS-1503021	Socket Head Cap Screw	M6x10mm	1
106	EBL1236VS-G106	Collar		1
107	EBL1236VS-G107	Cam		1
109	EBL1236VS-G109	Shaft		1
110	EBL1236VS-G110	Collar		1
111	EBL1236VS-G111	Chuck Guard		1
112	EBL1236VS-G112	Handle	PVC	1
113	TS-1505031	Socket Head Cap Screw	M10x25mm	1
114	EBL1236VS-G114	Screw	3/16x1/4 in	18
115	EBL1236VS-G115	Nut	3/16 in	18
116	EBL1236VS-G116	Window	3Tx193x343mm	1
117	EBL1236VS-G117	Window	3Tx193x230mm	1

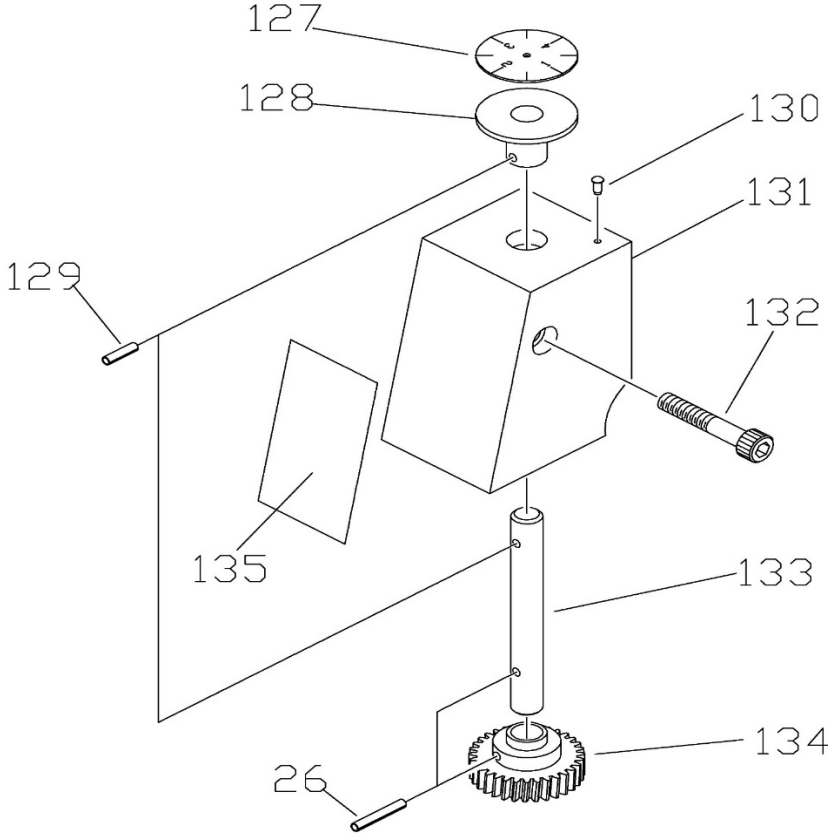
15.11.1 EVS-1440B Coolant Pump Assembly – Exploded View



15.11.2 EVS-1440B Coolant Pump Assembly – Parts List

Index No	Part No	Description	Size	Qty
62	EBL1236VS-G62	Coolant Tank	310Lx220Wx170H	1
119	EVS1440B-G119	Pump	1/8HP,115/230V,1PH,prewired 230V	1
120	EBL1236VS-G120	Nipple		1
121	EBL1236VS-G121	Flexible Hose		1
122	EBL1236VS-G122	Nipple		1
123	EBL1236VS-G123	Tube		1
124	EBL1236VS-G124	Bracket		1
125	EBL1236VS-G125	Value Gate		1
126	EBL1236VS-G126	Spraying Pipe		1

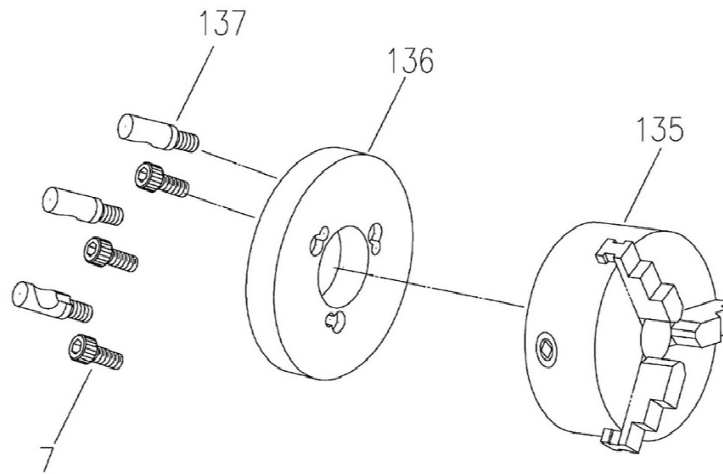
15.12.1 EVS-1440B Dial Indicator Assembly – Exploded View



15.12.2 EVS-1440B Dial Indicator Assembly – Parts List

Index No	Part No	Description	Size	Qty
26	EBL1236VS-G26	Roll Pin	Ø3x20mm	1
127	EBL1236VS-G127	Plate		1
128	EBL1236VS-G128	Dog	Ø60xØ19.05x15W	1
129	EBL1236VS-G129	Roll Pin	3x12 mm	1
130	EBL1236VS-G130	Nail	2 mm	1
131	EBL1236VS-G131	Guard	75x59x45	1
132	EBL1236VS-G132	Socket Head Cap Screw	M6x50mm	1
133	EBL1236VS-G133	Shaft	Ø9.5x81L	1
134	EBL1236VS-G134	Gear	Ø34Ø9.5x17L	1
135	EBL1236VS-G135	Threading Plate		1

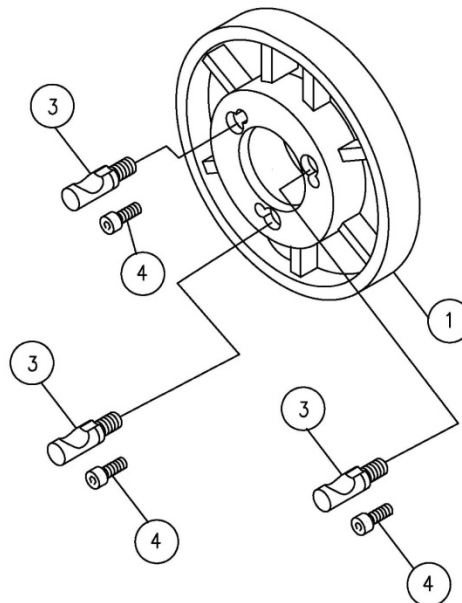
15.13.1 EVS-1440B Chuck Assembly – Exploded View



15.13.2 EVS-1440B Chuck Assembly – Parts List

Index No	Part No	Description	Size	Qty
7	TS-1503051	Socket Head Cap Screw	M6x20mm	3
135	EBL1236VS-SK6	3-Jaw Scroll Chuck	6"	1
136	EBL1236VS-G136	Backplate	6"	1
137	EBL1236VS-G137	Stud	D1-4	3

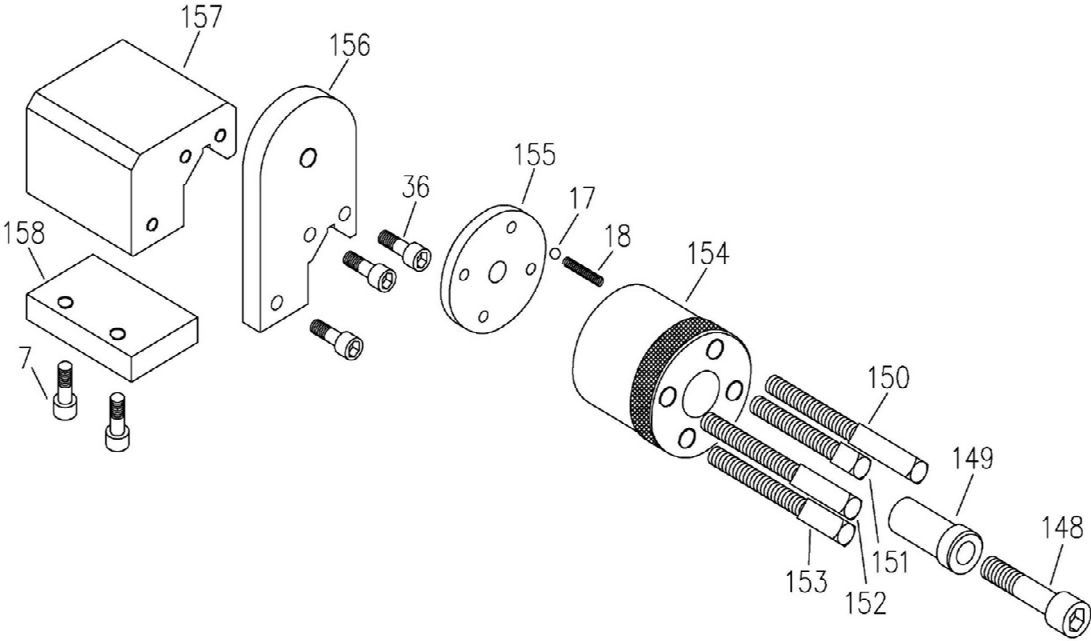
15.14.1 EVS-1440B Face Plate (OPTIONAL) – Exploded View



15.14.2 EVS-1440B Face Plate (OPTIONAL) – Parts List

Index No	Part No	Description	Size	Qty
1	E1440VS-FP02	Face Plate 12"	Ø300x40Hmm	2
3	EBL1236VS-G137	Stud	D1-4	3
4	TS-1503051	Socket Head Cap Screw	M6x20	3

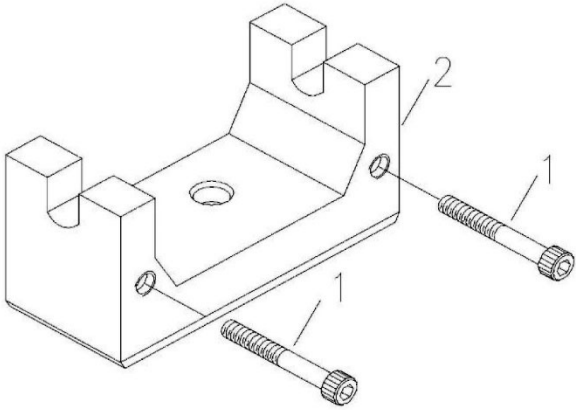
15.15.1 EVS-1440B Four-Position Stop Assembly – Exploded View



15.15.2 EVS-1440B Four-Position Stop Assembly – Parts List

Index No	Part No	Description	Size	Qty
7	TS-1503051	Socket Head Cap Screw	M6x20mm	2
17	SB-1/4	Steel Ball	1/4 in. dia.	1
18	E1340VS-G18	Spring	1/4 in.x35mm.	1
36	TS-1503041	Socket Head Cap Screw	M6x16mm	3
148	E1440VS-I148	Socket Head Cap Screw	3/8x70mm	1
149	E1440VS-I149	Sleeve		1
150	E1440VS-I150	Screw		1
151	E1440VS-I151	Screw		1
152	E1440VS-I152	Screw		1
153	E1440VS-I153	Screw		1
154	E1440VS-I154	Collar		1
155	E1440VS-I155	Cover		1
156	E1440VS-I156	Plate		1
157	E1440VS-I157	Base		1
158	E1440VS-I158	Strip		1
	E1440VS-I4PSA	4 Position Stop Assembly		1

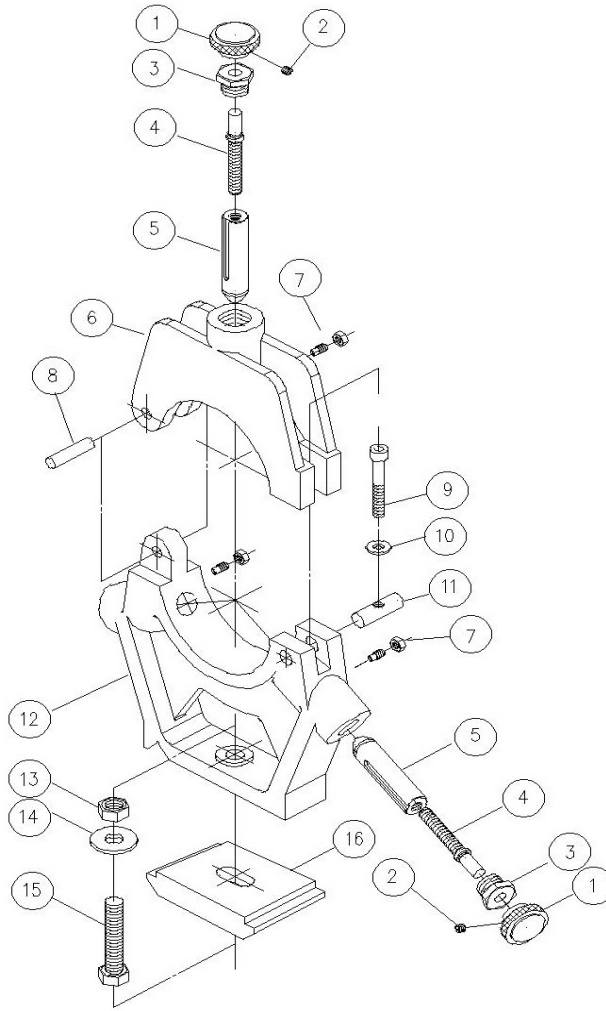
15.16.1 EVS-1440B Chuck Key Bracket Assembly – Exploded View



15.16.2 EVS-1440B Chuck Key Bracket Assembly – Parts List

Index No	Part No	Description	Size	Qty
1	TS-1504111	Socket Head Cap Screw	M8x55mm	2
2	EVS1440B-CKB	Chuck Key Bracket		1

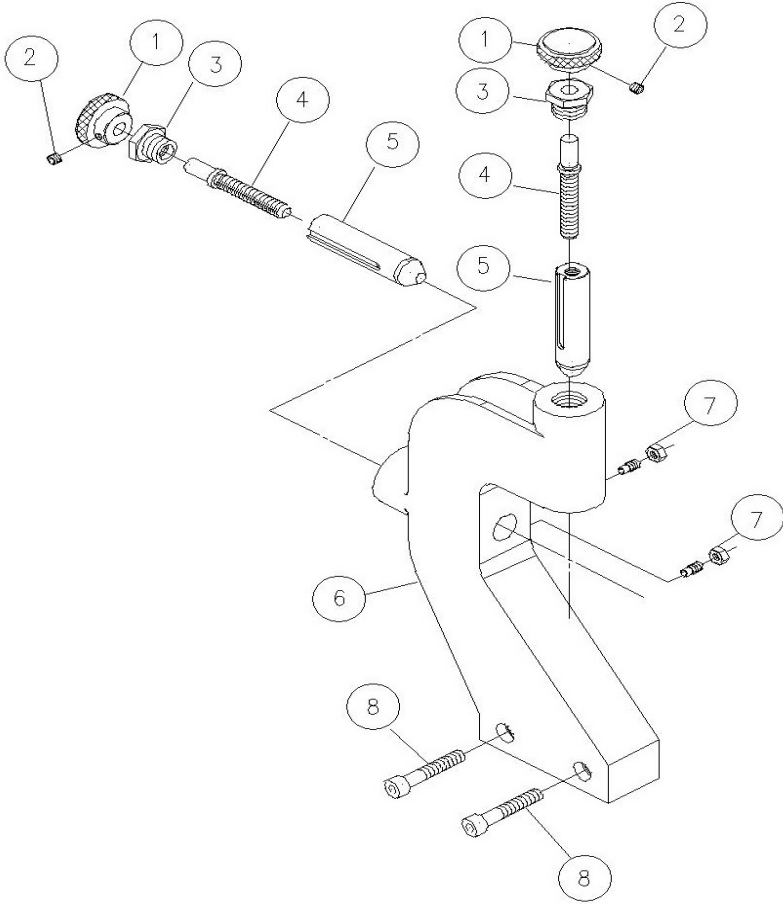
15.17.1 EVS-1440B Steady Rest Assembly – Exploded View



15.17.2 EVS-1440B Steady Rest Assembly – Parts List

Index No	Part No	Description	Size	Qty
1	E1440VS-FR01	Nut	Ø20xØ24x25L	3
2	TS-1523011	Set Screw	M6x6mm	3
3	E1440VS-FR03	Screw	Ø23x17L	3
4	E1440VS-FR04	Set Screw	Ø9.5x77L	3
	E1440VS-FR01A	Nut Assembly (includes #1~4)		3
5	EVS1440B-SR05	Bronze Shaft	Ø18.8x78L	3
6	E1236VS-SR06	Arm	168x32x125	1
7	TS-1523041/TS-2311061	Set Screw w/Nut	M6x12L + M6 nut	3
8	E1440VS-SR08	Shaft	Ø8x40L	1
9	TS-1504111	Socket Head Cap Screw	M8x55mm	1
10	TS-0732061	Washer	3/8 in	1
11	E1440VS-SR11	Pin	Ø12.7x40L	1
12	E1236VS-SR12	Base	171x32x153	1
13	TS-0561051	Nut	1/2 in	1
14	TS-0680061	Washer	1/2 in	1
15	TS-0070071	Cap Screw	1/2x2-1/2 in	1
16	EBL1236-F30	Clamp Plate	85Lx94Wx28h	1

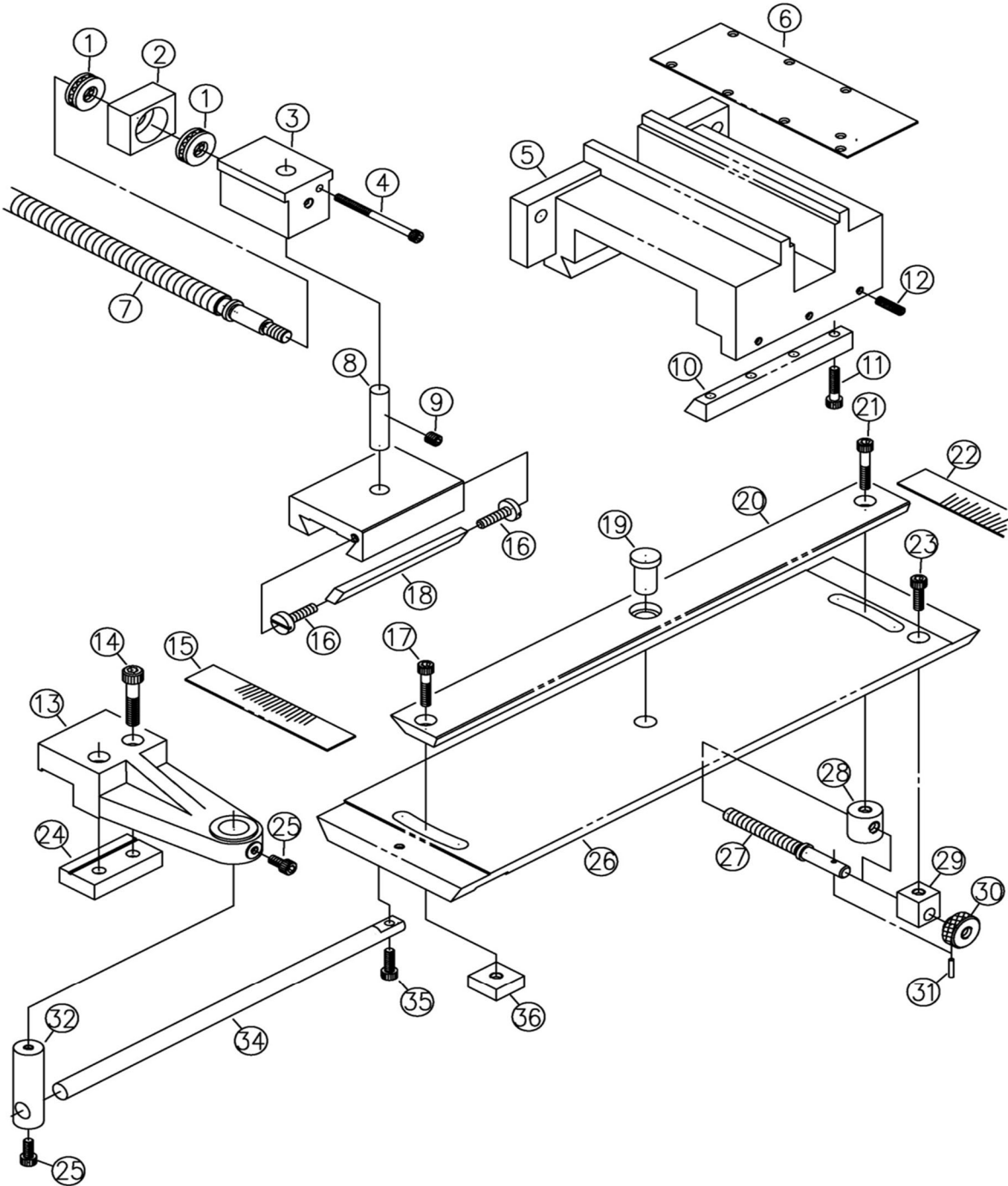
15.18.1 EVS-1440B Follow Rest Assembly – Exploded View



15.18.2 EVS-1440B Follow Rest Assembly – Parts List

Index No	Part No	Description	Size	Qty
1	E1440VS-FR01	Nut	Ø20xØ24x25L	2
2	TS-1523011	Set Screw	M6x6mm	2
3	E1440VS-FR03	Screw	Ø23x17L	2
4	E1440VS-FR04	Set Screw	Ø9.5x77L	2
	E1440VS-FR01A	Nut Assembly (includes #1~4)		2
5	EVS1440B-SR05	Bronze Shaft	Ø18.8x78L	2
6	E1236VS-FR06	Follow Rest	271x32x159	1
7	TS-1523041/TS-2311061	Set Screw w/Nut	M6x12L + M6 nut	2
8	TS-1490081	Socket Head Cap Screw	M8x45mm	2

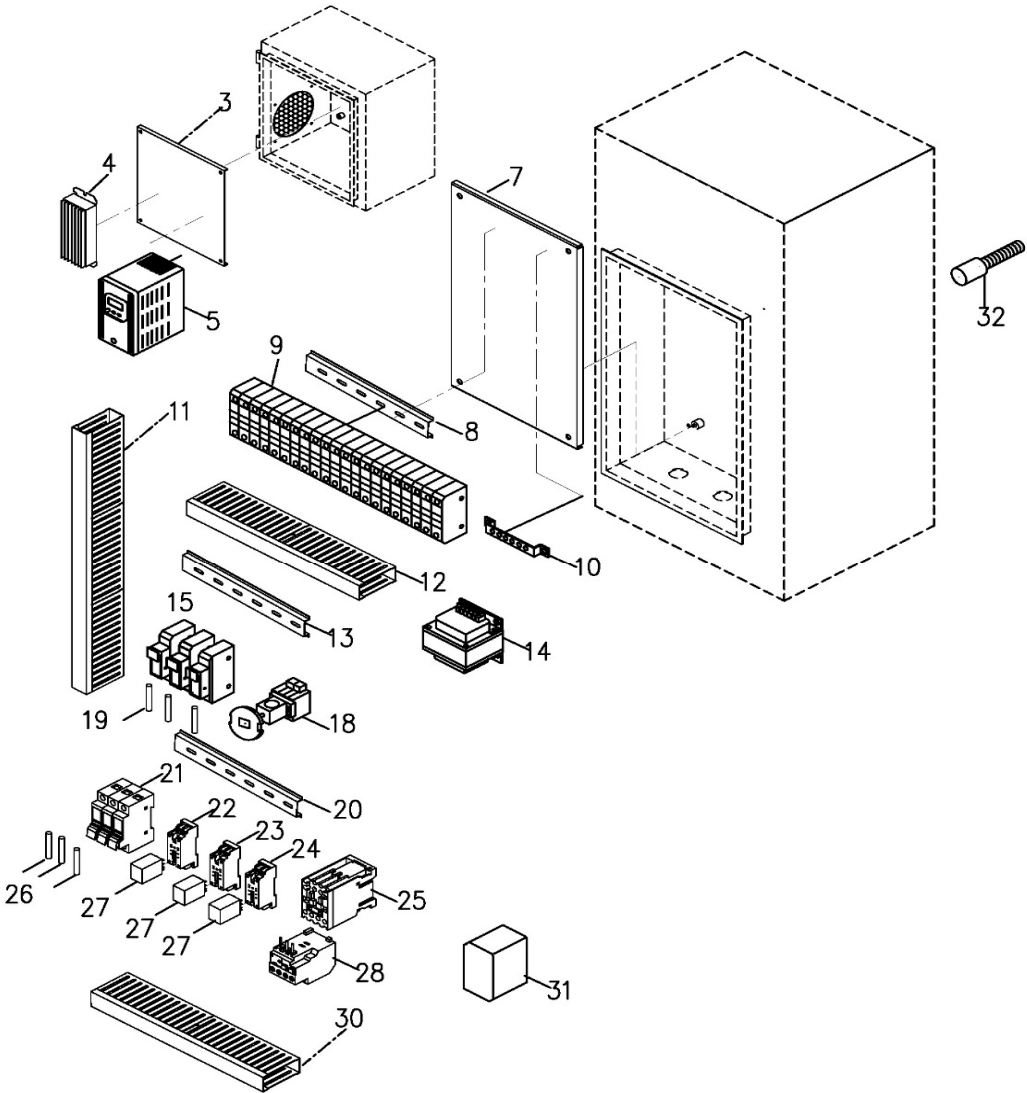
15.19.1 #892035 Taper Attachment Assembly (OPTIONAL) – Exploded View



15.19.2 #892035 Taper Attachment Assembly (OPTIONAL) – Parts List

Index No	Part No	Description	Size	Qty
1	E1440VS-J01	Thrust No. 51101		2
2	E1440VS-J02	Block	52x20x35	1
3	E1440VS-J03	Yoke	60x42x41.5	1
4	E1440VS-J04	Socket Head Cap Screw	M5x65MM	1
5	E1440VS-J05	Base	175x180x85	1
6	E1440VS-J06	Cover	170x63x1.2	1
7	E1440VS-J07	Lead Screw	Ø5/8"x405L	1
8	E1440VS-J08	Shaft	Ø12x50L	1
9	TS-1524011	Set Screw	M8x8mm	1
10	E1440VS-J10	Strip	130x18.86(10.2)x15	1
11	TS-1523061	Set Screw	M6x20mm	1
12	TS-1503061	Socket Head Cap Screw	M6x25mm	1
13	E1440VS-J13	Bracket	159x60x40	1
14	TS-1504081	Socket Head Cap Screw	M8x40mm	1
15	E1440VS-J15	Angle Plate	128x25x1.2	1
16	E1440VS-J16	Gib Screw		1
17	TS-1503071	Socket Head Cap Screw	M6x30mm	1
18	E1440VS-J18	Gib	110x7.27x5.57	1
19	E1440VS-J19	Shaft		1
20	E1440VS-J20	Lever	420x40x15	1
21	TS-1503081	Socket Head Cap Screw	M6x35mm	1
22	E1440VS-J22	Angle Plate	126x25x1.2	1
23	TS-2236181	Socket Head Cap Screw	M6x18mm	1
24	E1440VS-J24	Strip	80x31x13	1
25	TS-1503031	Socket Head Cap Screw	M6x12mm	2
26	E1440VS-J26	Base	460x130x18	1
27	E1440VS-J27	Screw	Ø3/8"(Ø9.525)x105L	1
28	E1440VS-J28	Nut	Ø22x22L	1
29	E1440VS-J29	Strip	19x19x22	1
30	E1440VS-J30	Nut	Ø28(Ø20)x19L	1
31	E1440VS-J31	Pin	3x15mm	1
32	E1440VS-J32	Pivot	Ø3/4"x65L	1
34	E1440VS-J33	Rod	Ø1/2"x300L	1
35	TS-1503041	Socket Head Cap Screw	M6x16mm	1
36	E1440VS-J35	Strip	25x25x10	1
	892035	Taper Component		1

15.20.1 EVS-1440B Control Plate Assembly – Exploded View



15.20.2 EVS-1440B Control Plate Assembly – Parts List

Index No	Part No	Description	Size	Qty
3	EBL1236VS-H03	Plate		1
4	EBL1236VS-H04	Brake Resistance	300W 70Ω 220V	1
5	EBL1236VS-H05	Inverter	VFD022B23A/AC240V/3HP	1
7	EBL1236VS-H07	Plate		1
8	EBL1236VS-H08	Track		1
9	EVS1440B-H09	Terminal Blocks (Non-CSA)	10A /30	1
10	EBL1236VS-H10	Earthing Terminal Blocks		1
11	EBL1236VS-H11	Trunking		1
12	EBL1236VS-H12	Trunking		1
13	EBL1236VS-H13	Track		1
14	EBL1236VS-H14	Control Circuit Transformer	120VC /AC24V(5A)	1
15	EVS1440B-H15	Fuse Box (Non-CSA)	TFBR-101	3
18	EBL1236VS-H18	Main Power Switch (QS1)	690VAC/25A	1
19	EVS1440B-F5A	Fuse (Non-CSA)	5A TFB-101N	3
20	EBL1236VS-H20	Track		1
21	EBL1236VS-H21	Fuse Boxes (F1)	CT-F101 10x38	1
22	EBL1236VS-H22	Relay Socket		1
23	EBL1236VS-H23	Relay Socket		1
24	EBL1236VS-H24	Relay Socket		1
25	EBL1236VS-H25	Magnetic Contactor	CU-11/AC24V/(3A1b)	1
26	EVS1440B-F32A	Fuse (Non-CSA)	32A CT- FB101	3
27	EBL1236VS-H27	Relay (KA1,KA2, KA3)	MY4N-J/ A24V	3
28	EBL1236VS-H28	Thermal Overload Relay	RHU-10K1/ 0.45~0.63A	1
30	EBL1236VS-H30	Trunking		1
31	EVS1440B-H31	Power Supply	PU N AC 24V	1
32	EVS1440B-H32	Sensor	PNP M12x40	1