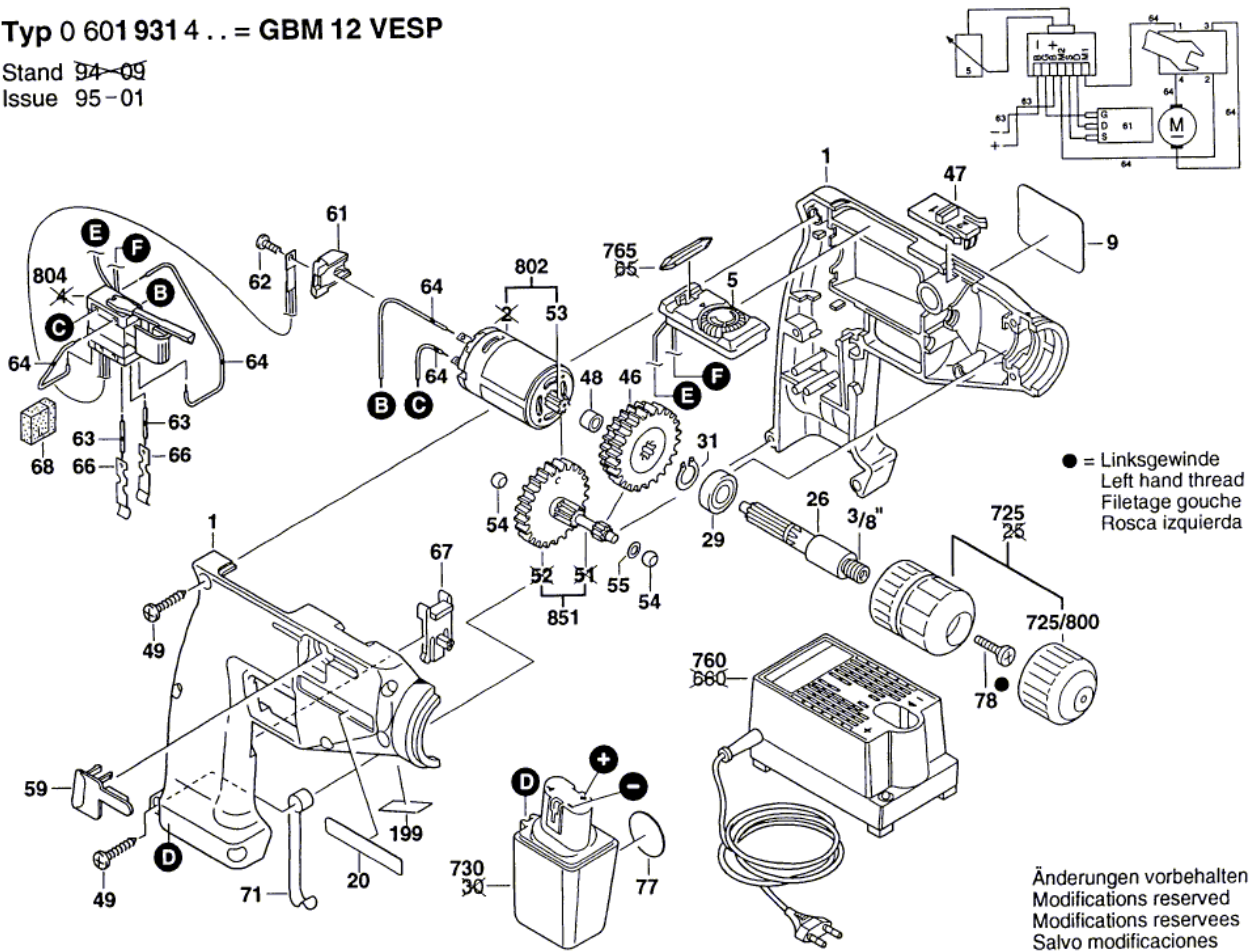


**Typ 0 601 931 4 .. = GBM 12 VESP**

Stand ~~94-09~~  
Issue 95-01



Pos.	Part Number	Description	Pos.	Part Number	Description
1	2 605 104 386	Housing Section			
5	2 607 233 011	Torque Control			
9	2 601 118 309	Sticker			
20	2 601 110 606	Sticker			
26	2 606 309 026	Drilling Spindle			
29	1 900 905 120	Deep-Groove Ball Bearing			
31	2 916 650 001	Spring retaining ring			
46	1 609 340 007	Cylindrical Gear			
47	2 601 099 027	Adjusting Slide			
48	2 600 301 011	Sintered-Metal Bushing			
49	2 603 490 022	Torx Oval-Head Screw			
53	2 606 316 112	Pinion			
54	2 600 302 002	Sintered-Metal Bushing			
55	2 600 100 636	Shim			
59	2 605 510 027	Filler Piece			
61	2 605 715 000	Heat Sink			
62	2 910 641 050	Oval-Head Screw			
63	2 604 413 005	Connecting Cable			
64	2 604 413 004	Connecting Cable			
66	2 601 324 012	Contact Spring			
67	2 601 099 031	Switchover Plate			
68	2 601 010 038	Dust Protection			
71	2 601 251 003	Holding Spring			
77	2 601 118 299	Sticker			
78	2 609 110 721	Countersunk-Head Screw			
725	2 608 572 010	Keyless Chuck			
725/800	2 600 591 006	Protective Cap			
730	2 607 335 021	Slide-In Accu Package			
760	2 607 224 425	Fast Charger			
760	2 607 224 701	Fast Charger			
802	2 607 022 910	DC motor			
804	2 607 200 296	On-Off Switch			
851	1 609 340 005	Toothed Shaft			