

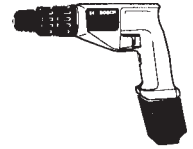


BOSCH

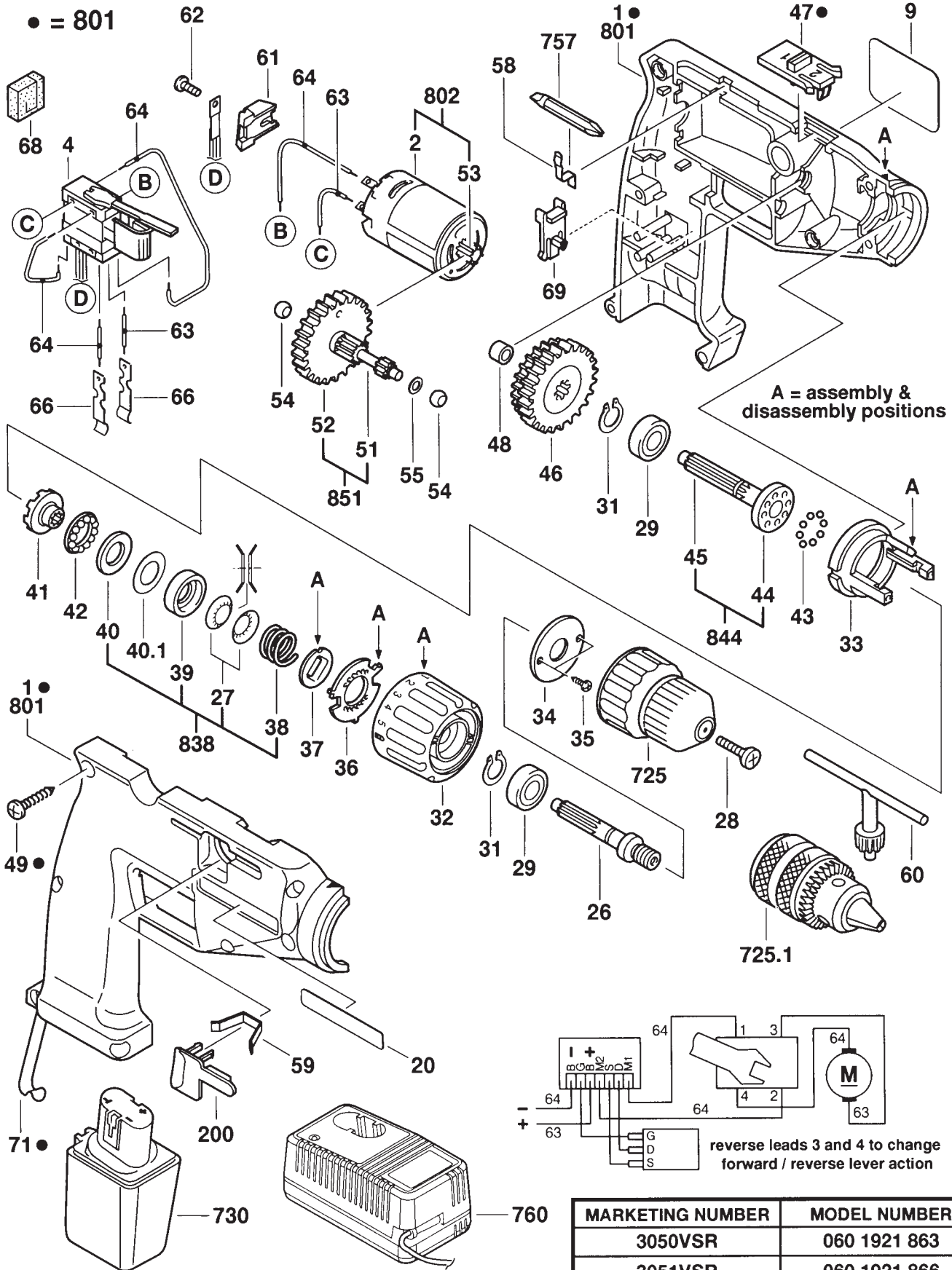
DRIVER DRILLS 3050VSR, 3051VSR

BATTERY OPERATED 9.6V DC

SERVICE PARTS LIST - JANUARY 1994



• = 801



MARKETING NUMBER	MODEL NUMBER
3050VSR	060 1921 863
3051VSR	060 1921 866

3050VSR & 3051VSR DRIVER DRILLS

S-B Power Tool Company 4300 W. Peterson Ave. Chlcago IL 60646-5999

Pos.	Qty	Part number	Description	F/C	Pos.	Qty	Part number	Description	F/C
1	1	See pos. 801	Housing	-	54	2	2 600 302 002	Bushing	82
2	1	See pos. 802	Motor	-	55	1	2 600 100 636	Shim	65
4	1	3 607 200 529	Switch VSR	17	58	1	2 601 250 002	Bit Retaining Spring	9
9	1	3 601 119 637	Label "3050VSR"	9	59	1	2 601 250 003	Key Retaining Spring	9
9.1	1	3 601 119 761	Label "3051VSR"	9	60	1	See Catalog	Chuck Key (3050VSR)	9
20	1	3 601 119 638	Label "Bosch"	9	61	1	2 605 715 000	Heat Sink	9
26	1	3 606 120 542	Spindle 3/8"-24	52	62	1	2 910 641 050	Screw	89
27	2	See pos. 838	Spring Washer	-	63	2	2 604 413 005	Cable 52mm	10
28	1	3 603 430 504	Rev. Screw (LH thread)	85	64	4	2 604 413 004	Cable 79mm	10
29	2	1 900 905 120	Ball Bearing	51	66	2	2 601 324 012	Battery Contact Clip	9
31	2	2 916 650 001	Retaining Ring	89	68	1	2 601 010 038	Felt Seal	77
32	1	2 605 190 014	Clutch Setting Sleeve	64	69	1	2 601 099 026	Switch Lock-off Lever	9
33	1	2 600 499 015	Clutch Flange	67				MFD 270 & older	
34	1	2 600 134 004	Retaining Plate	65	71	1	3 601 251 501	Battery Retaining Clip	9
35	2	2 914 411 023	Screw	89	200	1	2 605 510 027	Cover (3051VSR)	9
36	1	2 600 190 041	Clutch Setting Plate	67	725	1	See Catalog	Keyless Chuck (3051VSR)	91
37	1	2 600 290 019	Notched Disc	41	725.1	1	See Catalog	Keyed Chuck (3050VSR)	91
38	1	See pos. 838	Clutch Spring	-	730	1	See Catalog	9.6V Battery	18
39	1	See pos. 838	Spring Support	-	757	1	See Catalog	Drive Bit	9
40	1	See pos. 838	Washer 1.0mm	-	760	1	See Catalog	Multi-Volt Charger	18
40.1	1	2 600 101 631	Shim 0.2mm	65	801	1	2 605 104 776	Housing Assembly	71
41	1	2 606 490 047	Driven Coupling	40				w/pos. 1, 47, 49, 71	
42	1	2 600 923 001	Bearing Assembly	56	802	1	3 607 220 500	Motor w/Gear 9.6V	19
43	8	1 903 230 007	Ball 4mm	66				w/pos. 2, 53	
44	1	See pos. 844	Coupling	-	+ 807	1	3 609 391 500	Heat Transfer Grease	9
45	1	See pos. 844	Splined Shaft	-				for use on pos. 61	
46	1	1 609 340 007	Gear	35	838	1	2 607 001 126	Clutch Spring Assembly	67
47	1	2 601 099 027	Gear Select Lever	63				w/pos. 27, 38, 39, 40	
48	1	2 600 301 011	Bushing	82	844	1	2 606 436 900	Drive Coupling	40
49	7	2 910 611 019	Screw	89				w/pos. 44, 45	
51	1	See pos. 851	Shaft	-	851	1	1 609 340 005	Intermediate Gear	31
52	1	See pos. 851	Gear	-				w/pos. 51, 52	
53	1	2 606 316 112	Pinion Gear	33					

SERVICE NOTES: