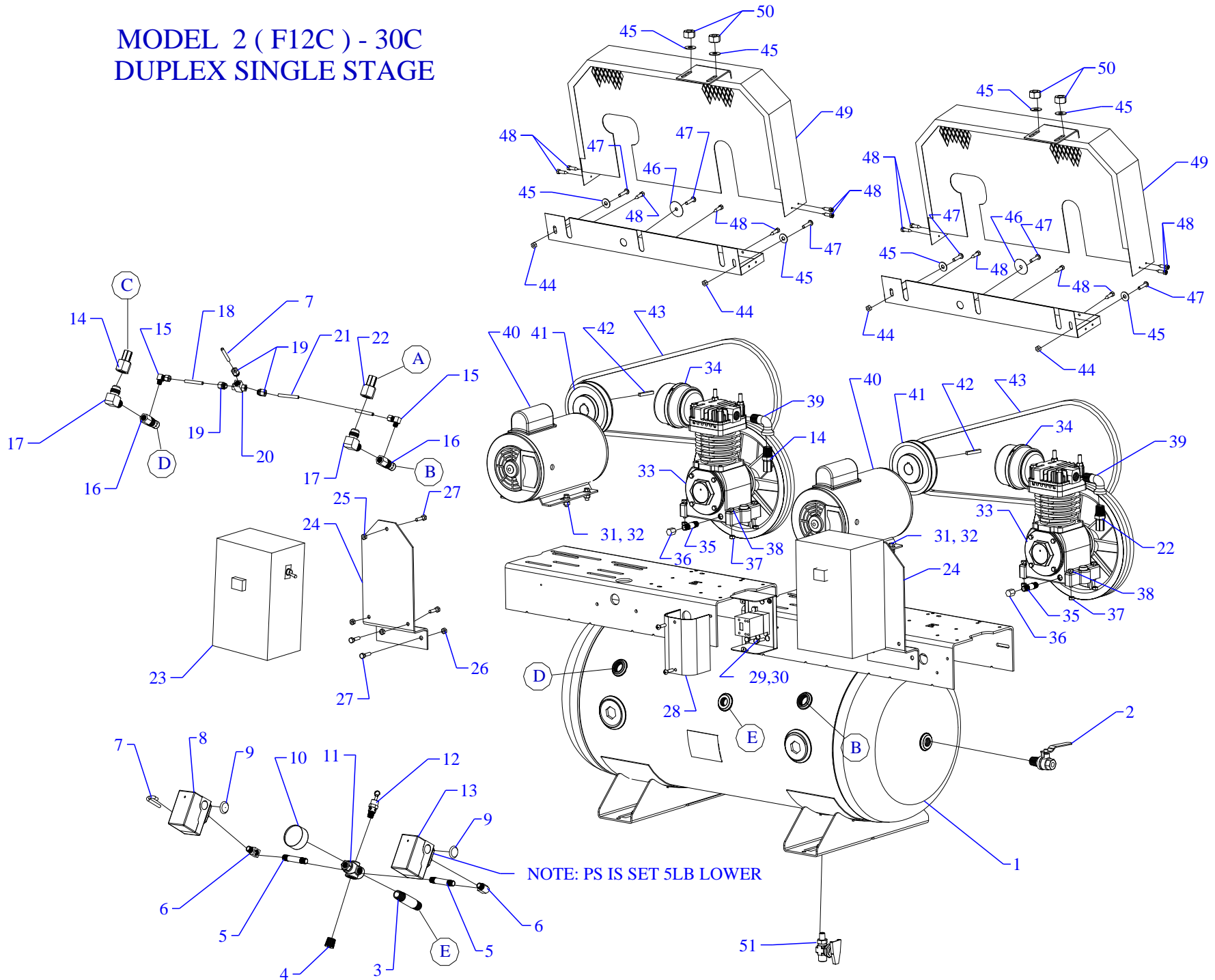


MODEL 2 (F12C) - 30C DUPLEX SINGLE STAGE



Parts List for Model 2(F12C)-30C Single & Three Phase

NOTE: The quantity number indicates the total number of pieces required for a complete unit repair.

When ordering parts give compressor model, serial number and part number. Order assemblies when possible.

<u>REF. NO.</u>	<u>PART NO.</u>	<u>DESCRIPTION</u>	<u>QTY.</u>
1	411-1052	TANK,DUPLEX,30G,UM,F&KE,H30UM-7	1
2	141-1078	VALVE,BALL,OUTLET,1/4 TURN,1/2"M X 1/2"F	1
3	122-1146	NIPPLE,STEEL,SCH 80,PLTD,1/2" X 2-1/2" L	1
4	122-1047	PLUG,SOCKET,HEX,ST,PLTD,1/2" NPT	1
5	122-1030	NIPPLE,STEEL,SCH 40,1/4" X 2" L	2
6	122-1118	ELBOW,STREET,MI,PLTD,90 DEG,1/4"NPT	2
7	610-1086	TUBE,CONTROL,COPPER,W/SLEEVE,1/4"X22"LG	1
8	140-1074-01	SWITCH,PSI,2HP,100-125#,UNLDR&LVR,PBVL	1
9	JD3856	PLUG,HOLE,PLASTIC,BLACK,7/8"	2
10	142-1000	GAUGE,PSI,200#,BK MT,JENNY,2",1/4NPT,PG2	1
11	220-1122	BLOCK,MANIFOLD,ZINC,6 HOLE,TAPPED,MC-6	1
12	141-1016	VALVE,SAFETY,ASME,1/4",125 PSI,SVU125	1
13	140-1072	SWITCH,PSI,2HP,115-175#,PB	1
14	360-1172	AFTERCOOLER,HOSE,SS,TEFLON,5/8"ODX22-1/2	1
15	121-1032	ELBOW,MALE,COMPRESSION,BR,1/4TBX1/8"NPTM	2
16	141-1036	VALVE,CHECK,INSERT,3/4"M X1/2"F,W/1/8"PT	2
17	121-1015	ELBOW,MALE,BRASS,5/8-45SAEX1/2"NPTM	2
18	610-1086	TUBE,CONTROL,COPPER,W/SLEEVE,1/4"X22"LG	1
19	121-1025	CONNECTOR,MALE,COMPRESSION,BR,1/4TBX1/8"	3
20	141-1061	VALVE,SHUTTLE,1/8" NPTF	1
21	610-1089	TUBE,CONTROL,COPPER,W/SLEEVE,1/4"X27"LG	1
22	360-1386	AFTERCOOLER,HOSE,SS,TEFLON,5/8"ODX27"L	1
23	330-1020	STARTER,1P,25A,115V,ASSY,SVC,MGSA-1-115	2
24	320-1080	BRACKET MAG STARTER 6X12	2

Parts List for Model 2(F12C)-30C Single & Three Phase

NOTE: The quantity number indicates the total number of pieces required for a complete unit repair.

When ordering parts give compressor model, serial number and part number. Order assemblies when possible.

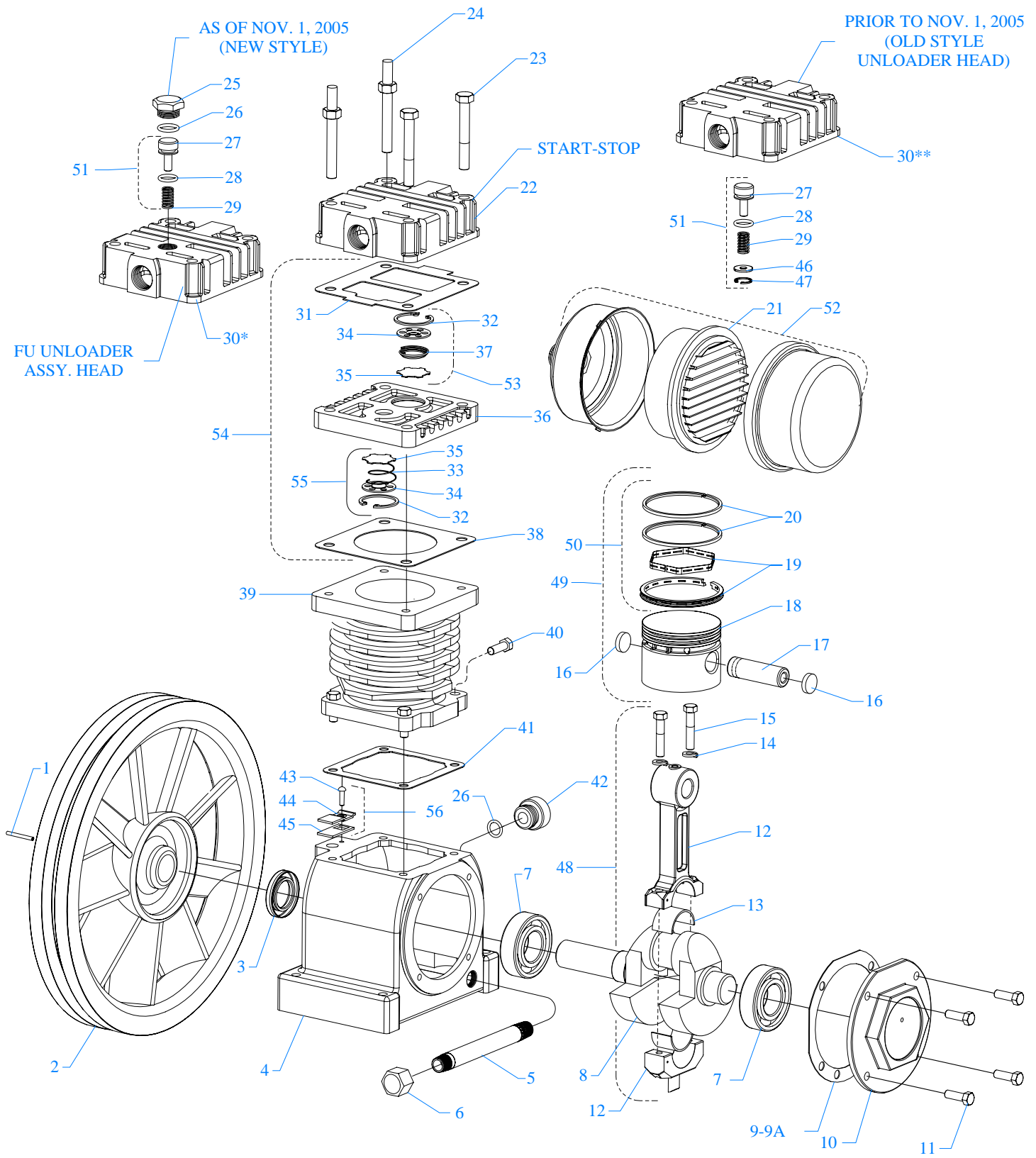
<u>REF. NO.</u>	<u>PART NO.</u>	<u>DESCRIPTION</u>	<u>QTY.</u>
25	120-1113	NUT,HEX,STEEL,PLATED,1/4-20	6
26	120-1116	NUT,LOCK,FLANGE,HEX,SERR,ST,PLTD,1/4-20	6
27	120-1005	SCREW,FLANGE,HEX,SERR,ST,PLTD,1/4-20X3/4	6
28	140-1088-04	ENCLOSURE,MOUNTING,ALTERNATOR,9991-UE1	1
29	140-1088-01	RELAY,ALTERNATING,AUTO,600V,12A,115VAC	1
29*	140-1088-02	RELAY,ALTERNATING,AUTO,600V,12A,230VAC	1
29**	140-1088-03	RELAY,ALTERNATING,AUTO,600V,12A,460VAC	1
30	120-1005	SCREW,FLANGE,HEX,SERR,ST,PLTD,1/4-20X3/4	2
31	120-1018	SCREW,FLANGE,HEX,SERR,ST,PLD,5/16-18X3/4	8
32	120-1119	NUT,LOCK,FLANGE,HEX,SERR,ST,PLTD,5/16-18	8
33	421-1001	PUMP,CMPRSR,PISTON,REPLCMT,BLUE,F	2
34	320-1121	FILTER,W/DECALS,ASSY,G154S	2
35	122-1034	NIPPLE,STEEL,SCH 40,1/4" X 5" L	2
36	122-1126	CAP,HEX,MI,PLATED,1/4"NPT	2
37	120-1116	NUT,LOCK,FLANGE,HEX,SERR,ST,PLTD,1/4-20	8
38	120-1014	SCREW,CAP,HEXHD,GR5,ST,PLTD,1/4-20X2	8
39	122-1052	ELBOW,STREET,MI,PLTD,90 DEG,1/2"NPT	2
40	130-1001	MOTOR,1/2HP,115-208-230/60/1,1725RPM,ODP	2
40*	130-1004	MOTOR,1/2HP,230-460/50-60/3,1725RPM,ODP	2
40**	130-1003	MOTOR,1/2HP,200-208/60/3,1725RPM,ODP	2
41	154-1208	PULLEY,CI,SG,4.0PDA,5/8ID,AK44X5/8	2
42	120-1108	KEY,STEEL,BLACK,3/16X3/16X 1-1/2" LENGTH	2
43	154-4L450	BELT,VEE,A43,4L-450	2

Parts List for Model 2(F12C)-30C Single & Three Phase

NOTE: The quantity number indicates the total number of pieces required for a complete unit repair.

When ordering parts give compressor model, serial number and part number. Order assemblies when possible.

<u>REF. NO.</u>	<u>PART NO.</u>	<u>DESCRIPTION</u>	<u>QTY.</u>
44	120-1116	NUT,LOCK,FLANGE,HEX,SERR,ST,PLTD,1/4-20	4
45	120-1075	WASHER,FLAT,STEEL,PLATED,5/16"	8
46	120-1072	WASHER,FENDER,ST,PLATED,1/4"X1-1/2"OD	2
47	120-1267	SCREW,PAN HD,PHIL,STEEL,PLTD,1/4-20 X 1"	6
48	120-1177	SCREW,SELF DRILL,HEX,ST,PL,12 X 3/4	14
49	320-1177	BELTGUARD,F&K,W/PAN,3.4WX13.0HX23LG	2
50	120-1119	NUT,LOCK,FLANGE,HEX,SERR,ST,PLTD,5/16-18	4
51	141-1077	VALVE,BALL,LEVER,1/4 TURN,1/4"M X 1/4"F	1
NOT SHOWN	610-1225	KIT,ELEMENT,FILTER,G54E,PKG OF 4,G54EP	2
NOT SHOWN	105-1209	OIL,PUMP,SYNTHETIC,BLUE,1 QUART,ESQ	2
NOT SHOWN	330-1022	MAG STR,25A,3P,200/208/230V,MGSA-3-230	2
OPTIONAL	140-1028-E36	OVERLOAD,HEATER,STARTER,MAGNETIC,E36	6
NOT SHOWN	330-1023	MAG STRT,25A 3P 460V,SVC RPLM,MGSA-3-460	2
OPTIONAL	140-1028-E24	OVERLOAD,HEATER,STARTER,MAGNETIC,E24	6
NOT SHOWN	330-1021-01	MAG STR 25A 1P115/208/230 REP MGSA-1-230	2
OPTIONAL	140-1028-E49	OVERLOAD,HEATER,STARTER,MAGNETIC,E49 120V	2
	140-1028-E39	OVERLOAD,HEATER,STARTER,MAGNETIC,E39 230V	2



MODEL F & FU
One Cylinder Single Stage
2-1/2" Bore X 1-3/4" Stroke

Parts List for Model F & FU Pump Assembly

NOTE: The quantity number indicates the total number of pieces required for a complete unit repair.
When ordering parts give compressor model, serial number and part number. Order assemblies when possible.

<u>REF. NO.</u>	<u>PART NO.</u>	<u>DESCRIPTION</u>	<u>QTY.</u>
1	120-1163	PIN,ROLLED,COILED,STL,BLK,1/4ODX1L,K25	1
2	220-1093	FLYWHEEL,K PUMP,CI,10-3/8,1 GROOVE,K23A	1
3	150-1036	SEAL,OIL,LIP,SINGLE,0.875 DIA,K11E	1
4	220-1000	CRANKCASE,F PUMP,CI,MACHINED,F1	1
5	122-1034	NIPPLE,STEEL,SCH 40,1/4" X 5" L	1
6	122-1083	CAP,HEX,MI,1/4"NPT	1
7	150-1000	BEARING,BALL,K9	2
8	220-1002	CRANKSHAFT,F PUMP,CI,MACHINED,F20A	1
9	104-1000-01	GASKET,CAP,BEARING,F&K&G PUMP,1/32THK,L3	1
9A	104-1000-02	GASKET,CAP,BEARING,F&K&G PUMP,1/64THK,L4	1
10	220-1001	CAP,BEARING,K PUMP,CI,MACHINED,K2	1
11	120-1004	SCREW,CAP,HEXHD,GR5,ST,BLK,1/4-20X3/4 (10 FTLB)	4
12	310-1001-01	ROD,CONNECTING,ALUM,MACHINED,L21L&L21K	1
13	150-1011	BEARING,ROD,CONNECTING,PUMP,F,K,G	2
14	120-1010	WASHER,LOCK,SPLIT,ST,BLK,HIGH CLLR,1/4"	2
15	120-1010	SCREW,ROD,STEEL,W/LOCK WASHER,1/4-20,L22 (10 FTLB)	2
16	104-1103	BUMPER,WRIST PIN,PLASTIC,K36A	2
17	150-1005	PIN,PISTON,STEEL,HARDENED,K35	1
18	220-1005	PISTON,PUMP,ALUMINUM,MACHINED,K32	1
19	610-1065	KIT,RING,OIL,W/EXPANDER,ASSY,K34	1
20	150-1003	RING,COMPRESSION,PISTON,STEEL,EBA 22,K33	2
21	150-1104	ELEMENT,FILTER,AIR,COMPRESSOR,JENNY,G54E	1
22	220-1007	HEAD,START/STOP,F PUMP,CI,MACHINED,F50	1
23	120-1028	SCREW,CAP,HEXHD,GR5,ST,BLK,5/16-18X2-1/4 (22 FTLB)	2

Parts List for Model F & FU Pump Assembly

NOTE: The quantity number indicates the total number of pieces required for a complete unit repair.
When ordering parts give compressor model, serial number and part number. Order assemblies when possible.

<u>REF. NO.</u>	<u>PART NO.</u>	<u>DESCRIPTION</u>	<u>QTY.</u>
24	120-1252	BOLT,STUD,HEX,ST,5/16-18X2-1/4X5/8,K52-1 (22 FTLB)	2
25	122-1051	PLUG,HEX ,BRASS,11/16-16 UN-2B X .550	1
26	104-1015	RING,O,BUNA-N,1/2"IDX11/16"ODX3/32"THK	2
27	150-1028	PISTON,UNLOADER,VALVE,BRASS,KU81	1
28	104-1020	RING,O,SILICON,7/16"IDX5/8"ODX3/32"THK	1
29	150-1020	SPRING,VALVE,UNLOADER,INTAKE, KU83	1
30	310-1005	HEAD,UNLOADING,F PUMP,ASSY,FU180	1
31	104-1005	GASKET,HEAD,F PUMP,1/32THK,F51	1
32	150-1041	RETAINER,VALVE,STEEL,PAS,0.062"THK,K43	2
33	150-1017	SPRING,CONE,SS,VALVE,INTAKE,K45	1
34	109-1010	VALVE,BUMPER,STEEL,K44	2
35	109-1011	VALVE,DISC,STAINLESS STEEL,K47	2
36	220-1006	PLATE,VALVE,F PUMP,CI,MACHINED,F40	1
37	150-1018	SPRING,CONE,SS,VALVE,DISCHARGE,K46	1
38	104-1004	GASKET,PLATE,VALVE,F PUMP,1/32THK,F41	1
39	360-1151	CYLINDER,F PUMP,CI,PAINTED,BLUE,F30	1
40	120-1004	SCREW,CAP,HEXHD,GR5,ST,BLK,1/4-20X3/4 (10 FTLB)	4
41	104-1003	GASKET,CYLINDER,F PUMP,1/32THK,F31	1
42	610-1021	PLUG,CRANKCASE,FILL,OIL,W/O-RING,F14	1
43	120-1162	PIN,GROOVE,STEEL,PLATED,# 7X1/2"LONG,K18	1
44	230-1001	RETAINER,BREATHER,CRANKCASE,PLASTIC,F17	1
45	230-1000	SEAL,BREATHER,CRANKCASE,RUBBER,F16	1
46	150-1042	WASHER,BRASS,1/32X 0.605ODX1/4 ID,KU84	1

Parts List for Model F & FU Pump Assembly

NOTE: The quantity number indicates the total number of pieces required for a complete unit repair.
When ordering parts give compressor model, serial number and part number. Order assemblies when possible.

<u>REF. NO.</u>	<u>PART NO.</u>	<u>DESCRIPTION</u>	<u>QTY.</u>
47	120-1167	RETAINER,INTERNAL,ST,0.035X 0.665,KU85	1
Assemblies			
48	310-1043	ROD,CONNECTING,W/BEARNG INSERT,L21L&L21K INCLUDES 12,13,14(2),15(2)	1
49	610-1028	PISTON,W/RINGS&PIN,ASSY,K132 INCLUDES 16(2), 17, 18, 19, 20(2)	1
50	610-1019	KIT,PUMP,RING,PISTON,F PUMP,ASSY,F133 INCLUDES 19, 20 (2)	1
51	610-1042	VALVE,UNLOADER,HEAD,PUMP,ASSY,KU181 INCLUDES 27, 28, 29, 46, 47	1
52	320-1121	FILTER,W/DECALS,ASSY,G154S	1
53	610-1031	VALVE,SUCTION,ASSY,K145 INCLUDES 32, 33, 34, 35	1
54	610-1023	PLATE,VALVE,W/VALVES,ASSY,F140 INCLUDES 31, 36, 38, 53, 55	1
55	610-1032	VALVE,DISCHARGE,ASSY,K146 INCLUDES 32, 34, 35, 37	1
56	610-1018	VALVE,BREATHER,CRANKCASE,F PUMP,ASY,F119 INCLUDES 43, 44, 45	1
57	610-1016	KIT,GASKET,F PUMP,ASSY,F100 INCLUDES 9, 9A, 31, 38 ,41	1
58	610-1139	KIT,BASIC,REPAIR,F PUMP,F101 INCLUDES 21, 50, 53, 55, 56, 57 W/G54E	1
58A	610-1139	KIT,BASIC,REPAIR,F PUMP,F101 INCLUDES 50, 53, 55, 56, 57 W/F54 OLD STYLE	1
59	610-1140	KIT,BASIC,REPAIR,FU PUMP,FU101 INCLUDES 51, 58 W/G54E	1
59A	610-1140	KIT,BASIC,REPAIR,FU PUMP,FU101 INCLUDES 50, 53, 55, 56, 57 W/F54 OLD STYLE	1
NOT SHOWN	230-1002	FILTER,AIR,INSERT,FOAM,PUMP F,F54 Old Style	1
NOT SHOWN	610-1024	KIT,FILTER,INSERT,PKG OF 6,F PUMP,F54P	1
NOT SHOWN	105-1209	OIL,PUMP,SYNTHETIC,BLUE,1 QUART,ESQ	1