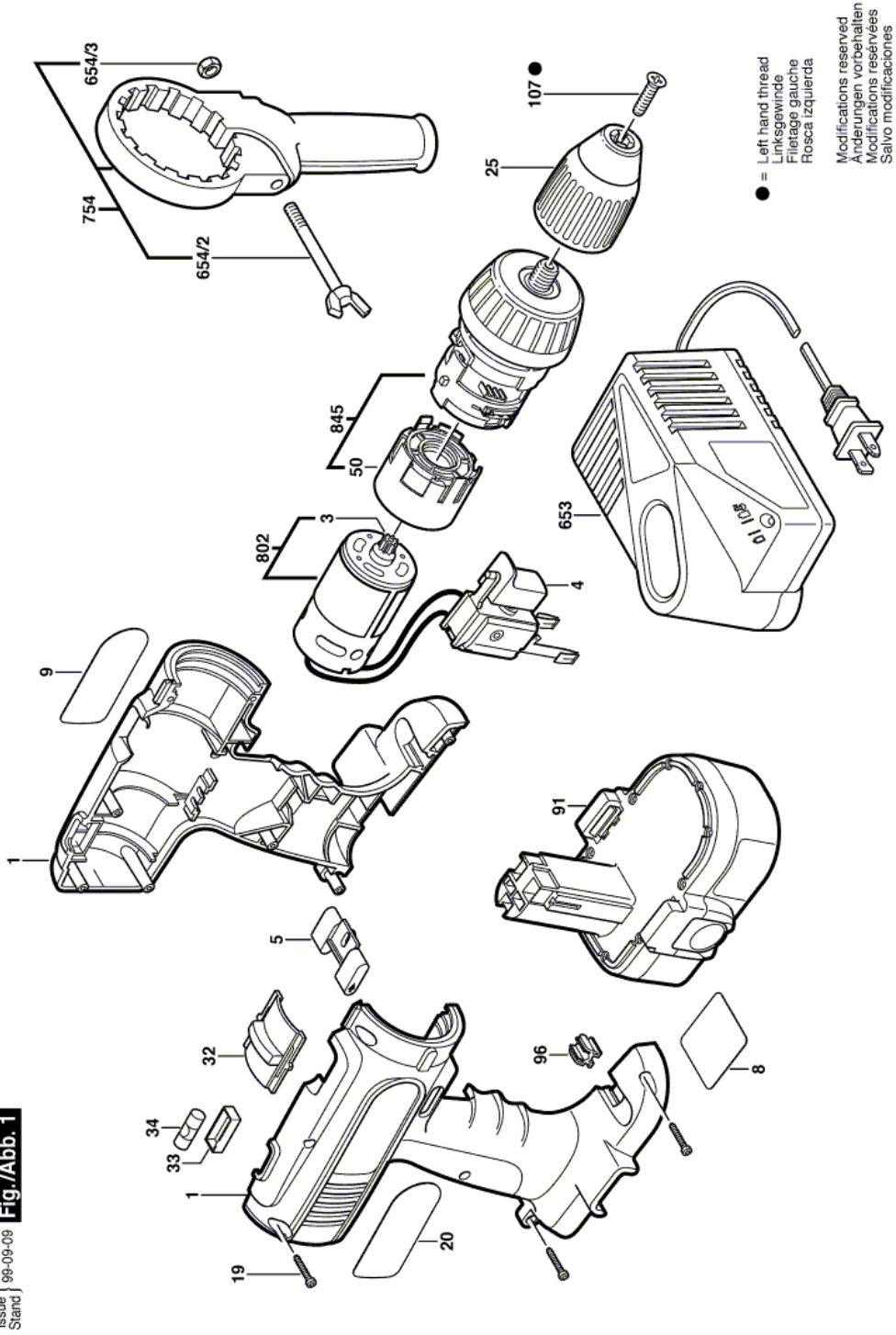


Battery-Operated Drill - F 012 299 200 - 2992

Item	Part Number	Description	Illustration	Price	Quantity	Price Group
1	2 610 997 747	Housing Section	1	-,-	1	-
3	2 606 316 196	Pinion	1	-,-	1	13
4	2 607 200 435	On-Off Switch	1	-,-	1	-
5	2 610 967 613	Lever	1	-,-	1	-
8	2 610 997 836	Nameplate	1	-,-	1	-
9	2 610 997 837	Label	1	-,-	1	-
19	2 610 909 719	Screw BLACK	1	-,-	8	11
20	2 610 998 899	Warning Plate	1	-,-	1	-
25	2 610 991 210	Keyless Chuck	1	-,-	1	-
32	2 601 099 086	Adjusting Slide BLACK	1	-,-	1	12
33	2 610 967 205	Support	1	-,-	1	-
34	2 610 967 204	Bubble Level	1	-,-	1	11
50	2 605 719 901	Intermediate Flange	1	-,-	1	19
91	2 607 335 327	Accumulator Battery 24V, 1,25Ah, NiCd	1	-,-	1	-
96	2 610 911 815	Bit holder	1	-,-	1	-
107	2 609 110 721	Countersunk-Head Screw M5x20	1	-,-	1	11
653	2 607 224 473	Fast Charger USA 120/7,2-24V, 1h	1	-,-	1	-
654/2	1 613 480 007	Wing Screw M6x(15)55	1	-,-	1	11
654/3	2 915 011 007	Hex Nut DIN 934-M6-8-A	1	-,-	1	10
754	2 610 998 239	Auxiliary Handle	1	-,-	1	-
802	2 610 998 215	DC motor 24V	1	-,-	1	-
845	2 610 907 386	Gear	1	-,-	1	40

Illustration - Type E



Information subject to change without further notice.