



# SERVICE PARTS LIST

**BULLETIN NO.**  
54-43-2930

SPECIFY CATALOG NO. AND SERIAL NO. WHEN ORDERING PARTS		REVISED BULLETIN	DATE
<b>M18™ CABLE STRIPPER</b>			Oct. 2021
<b>CATALOG NO. 2935-20</b>	<b>STARTING SERIAL NUMBER K90A</b>	WIRING INSTRUCTION	

**EXAMPLE:**  
Component Parts (Small #)  
Are Included When Ordering  
The Assembly (Large #).

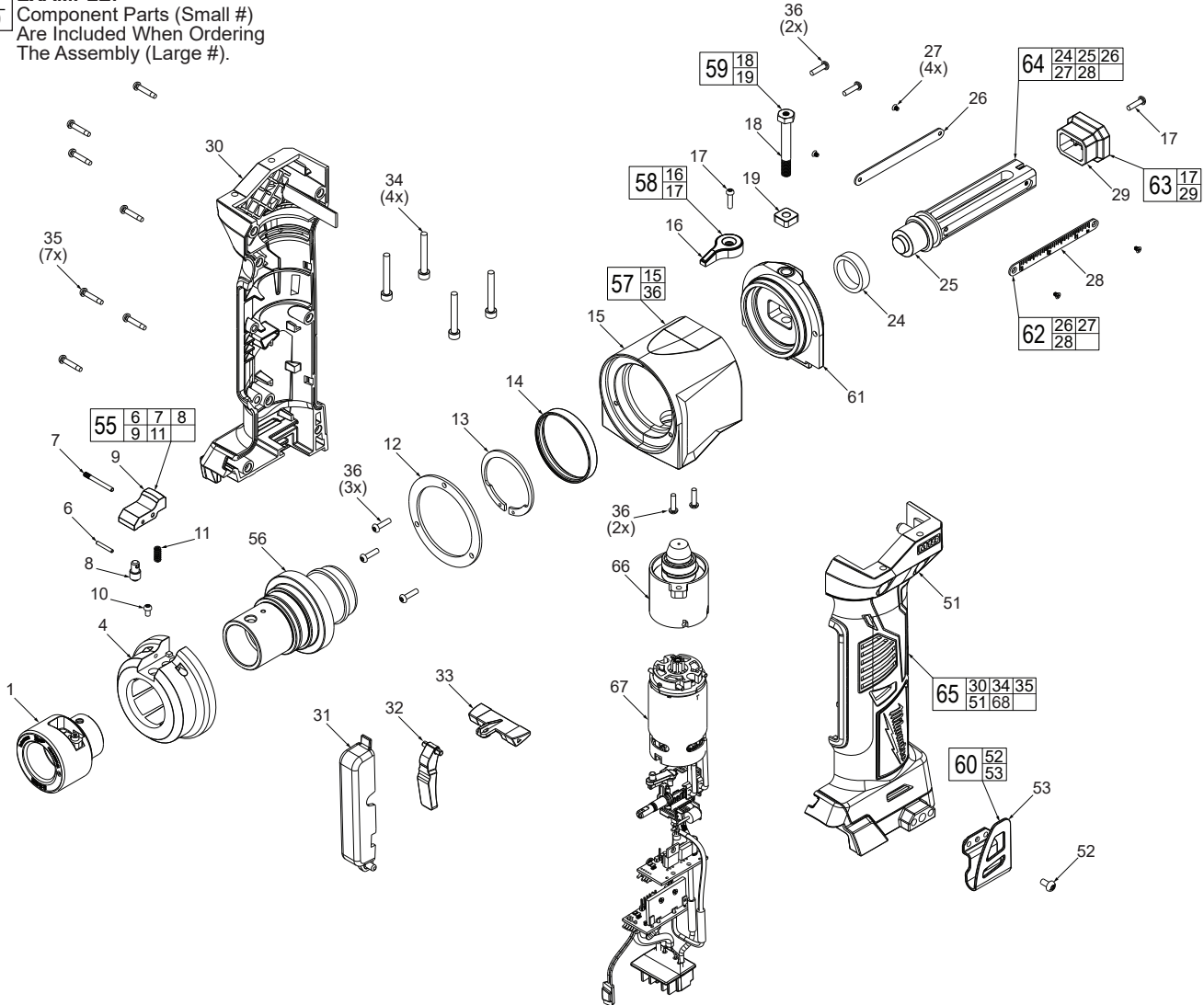


FIG.	PART NO.	DESCRIPTION OF PART	NO. REQ.	FIG.	PART NO.	DESCRIPTION OF PART	NO. REQ.
1	-----	Bushing	(1)	33	42-42-0066	Shuttle	(1)
4	42-76-0046	Bushing Release Collar	(1)	34	05-88-0031	M4 x 0.7 Screw	(4)
6	-----	Collar Pin	(1)	35	-----	M3 x 1.058 Screw	(7)
7	-----	Knurling Pin	(1)	36	05-74-0076	M3 x 0.5 Screw	(7)
8	-----	Bushing Release Pin	(1)	51	-----	Left Housing	(1)
9	-----	Bushing Release Level	(1)	52	-----	#6-32 T15 Torx Screw	(1)
10	05-88-0926	M3 x 0.5 Screw	(3)	53	-----	Belt Clip	(1)
11	40-50-0133	Bushing Release Spring	(1)	55	14-86-0015	Bushing Release Kit	(1)
12	45-88-0108	Front Washer	(1)	56	14-29-0018	Bevel Gear Assembly	(1)
13	44-90-0061	Snap Ring	(1)	57	14-30-0084	Gear Case w/ Screws Kit	(1)
14	02-04-0288	Ball Bearing	(1)	58	31-12-0023	Lock Down Cap w/ Screw Kit	(1)
15	-----	Gear Case	(1)	59	06-54-0015	Plug Nut w/ Screw Kit	(1)
16	-----	Lock Down Cap	(1)	60	42-70-0023	Belt Clip Kit	(1)
17	-----	M4 x 0.7 Screw	(2)	61	14-67-0012	Back Plate Assembly	(1)
18	-----	M6 Lock Screw	(1)	62	31-51-0034	Depth Ruler Kit	(1)
19	-----	Plug Nut	(1)	63	43-98-0056	Plug Knob Kit	(1)
24	45-88-0178	Felt Washer	(1)	64	30-06-0015	Barrel Plug Assembly	(1)
25	-----	Barrel Plug	(1)	65	14-38-0044	Housing Kit w/ Service Nameplate	(1)
26	-----	Depth Ruler (Metric)	(1)	66	14-29-0019	Gear Assembly	(1)
27	-----	Bevel Marking Screw	(4)	67	14-50-0011	Motor Assembly	(1)
28	-----	Depth Ruler (Inch)	(1)	68	12-20-0191	Service Nameplate (Not Shown)	(1)
29	-----	Plug Knob	(1)				
30	-----	Right Housing	(1)				
31	31-92-0022	Switch Trigger	(1)				
32	31-92-0024	Level Trigger	(1)				