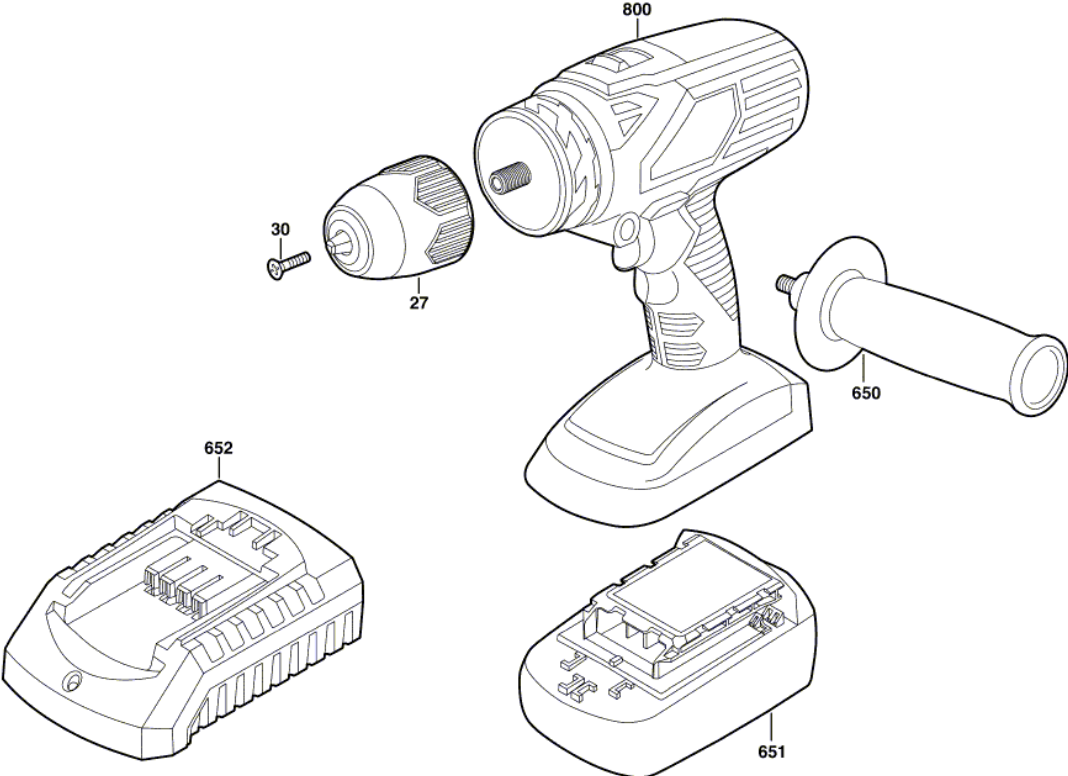


F012 2898 00  
Issue | 09-12-08  
Stand | **Fig./Abb. 1**



Modifications reserved  
Änderungen vorbehalten  
Modifications réservées  
Salvo modificaciones

Pos.	Part Number	Description	Pos.	Part Number	Description
27	1 619 X02 950				
30	1 619 X01 531	Torx Oval-Head Screw			
650	1 619 X01 440	Auxiliary Handle			
651	1 619 X03 496				
652	1 619 X03 502				
800	1 619 X04 449				