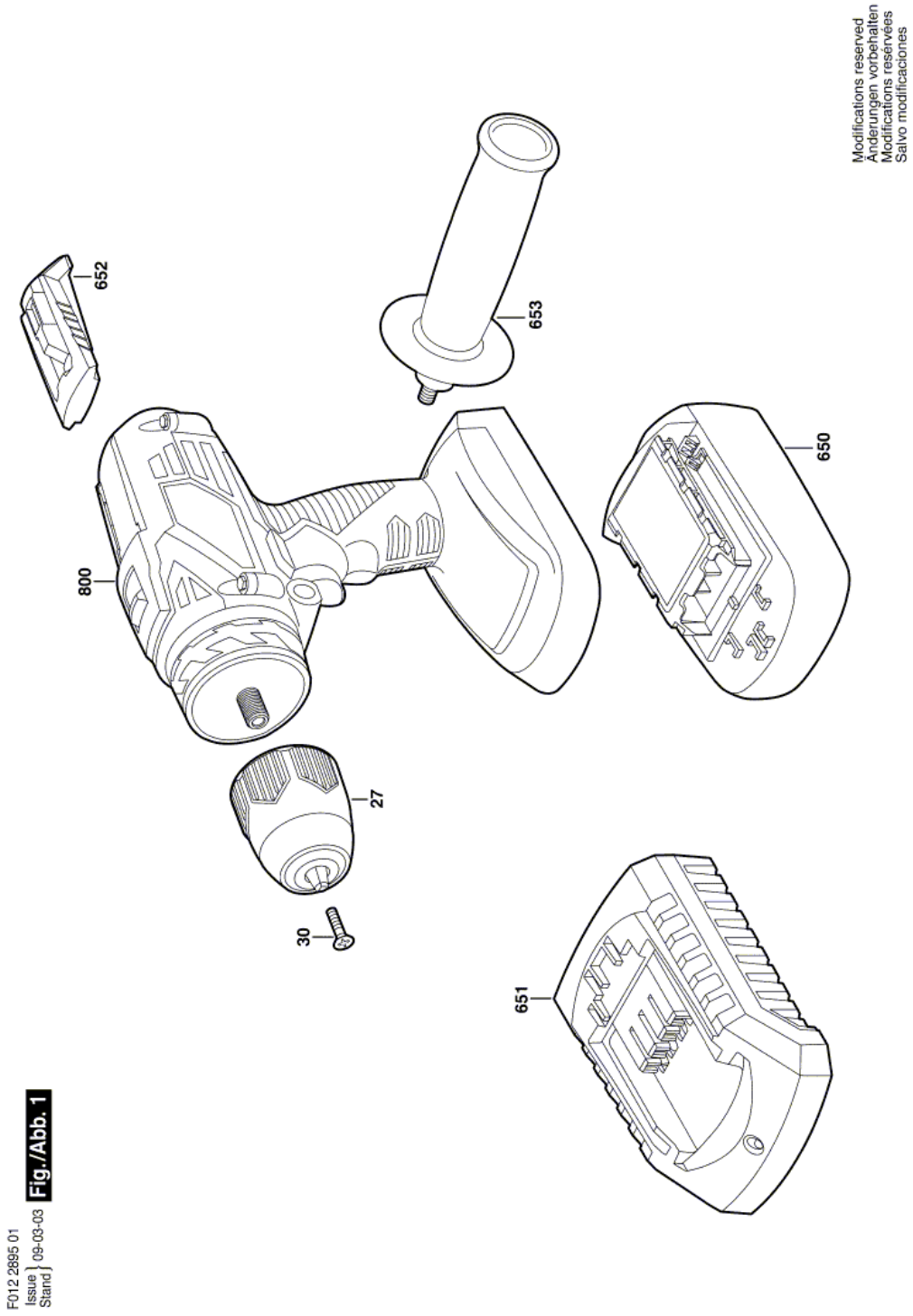


31.07.2015 |

## Cordless Drill Driver - F 012 289 503 - 2895

Item	Part Number	Description	Illustration	Price	Quantity	Price Group
27	1 619 X02 950	Keyless Chuck	1	-,-	1	-
30	1 619 X01 531	Torx Oval-Head Screw	1	-,-	1	10
650	1 619 X03 496	Battery Pack 18V, 1,3Ah, LI	1	-,-	1	45
651	1 619 X03 502	Charger 18V, 1,3Ah, LI	1	-,-	1	37
652	1 619 X01 441	Index	1	-,-	1	-
653	1 619 X01 440	Auxiliary Handle	1	-,-	1	-
800	1 619 X03 437	Cordless Drill Driver	1	-,-	1	-

Illustration - Type E



Information subject to change without further notice.