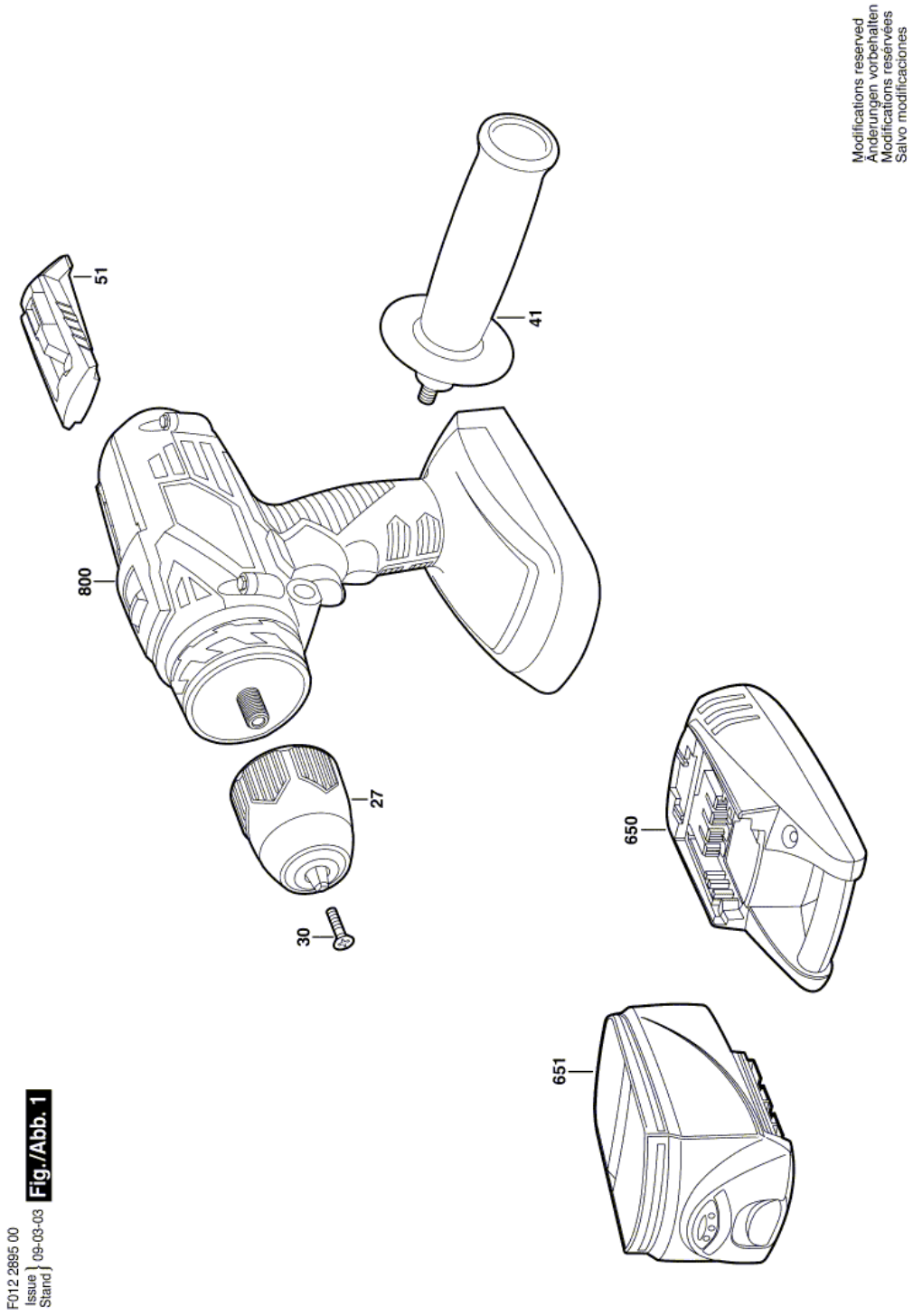


31.07.2015 |

## Cordless Drill Driver - F 012 289 500 - 2895

Item	Part Number	Description	Illustration	Price	Quantity	Price Group
27	1 619 X01 458	Keyless Chuck	1	-,-	1	-
30	1 619 X01 531	Torx Oval-Head Screw	1	-,-	1	10
41	1 619 X01 440	Auxiliary Handle	1	-,-	1	-
51	1 619 X01 441	Index	1	-,-	1	-
650	1 619 X07 585	Charger 120/18V, NiCd	1	-,-	1	-
651	2 607 335 793	Battery Pack 18V, 1,5Ah, NiCd	1	-,-	1	43
800	1 619 X01 602	Cordless Drill Driver	1	-,-	1	-

Illustration - Type E



Information subject to change without further notice.