



SERVICE PARTS LIST

BULLETIN NO.
54-49-2870

SPECIFY CATALOG NO. AND SERIAL NO. WHEN ORDERING PARTS		REVISED BULLETIN	DATE
M18™ FUEL™ ANGLER™ Pulling Fish Tape			Oct. 2019
CATALOG NO. 2873-20	STARTING SERIAL NUMBER K99A	WIRING INSTRUCTION See Page Two	

FIG.	PART NO.	DESCRIPTION OF PART	NO. REQ.
1	06-82-4003	M4 x 16mm Pan Hd. ST T-20 Screw	(9)
2	06-82-0142	M3 x 9mm Pan Hd. ST T-8 Screw	(9)
3	-----	Handle Halve-Left	(1)
5	42-42-0061	Forward/Reverse Shuttle	(1)
6	-----	Steel Nozzle	(1)
8	05-74-0024	M2.6 x 6mm Flat Hd. Phillips ST Screw	(4)
16	44-20-1015	Latch Assembly	(3)

EXAMPLE:
Component Parts (Small #)
Are Included When Ordering
The Assembly (Large #).

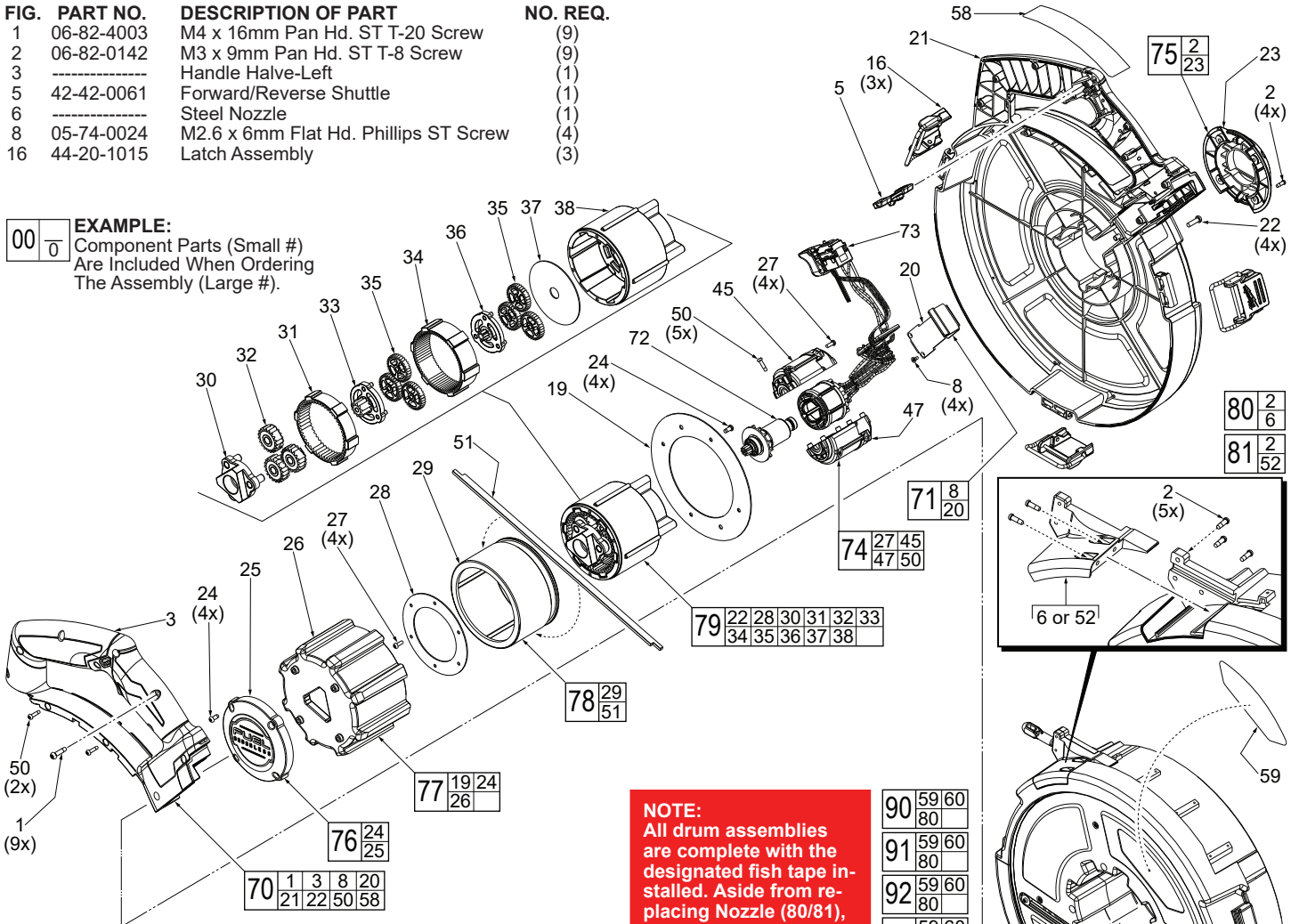
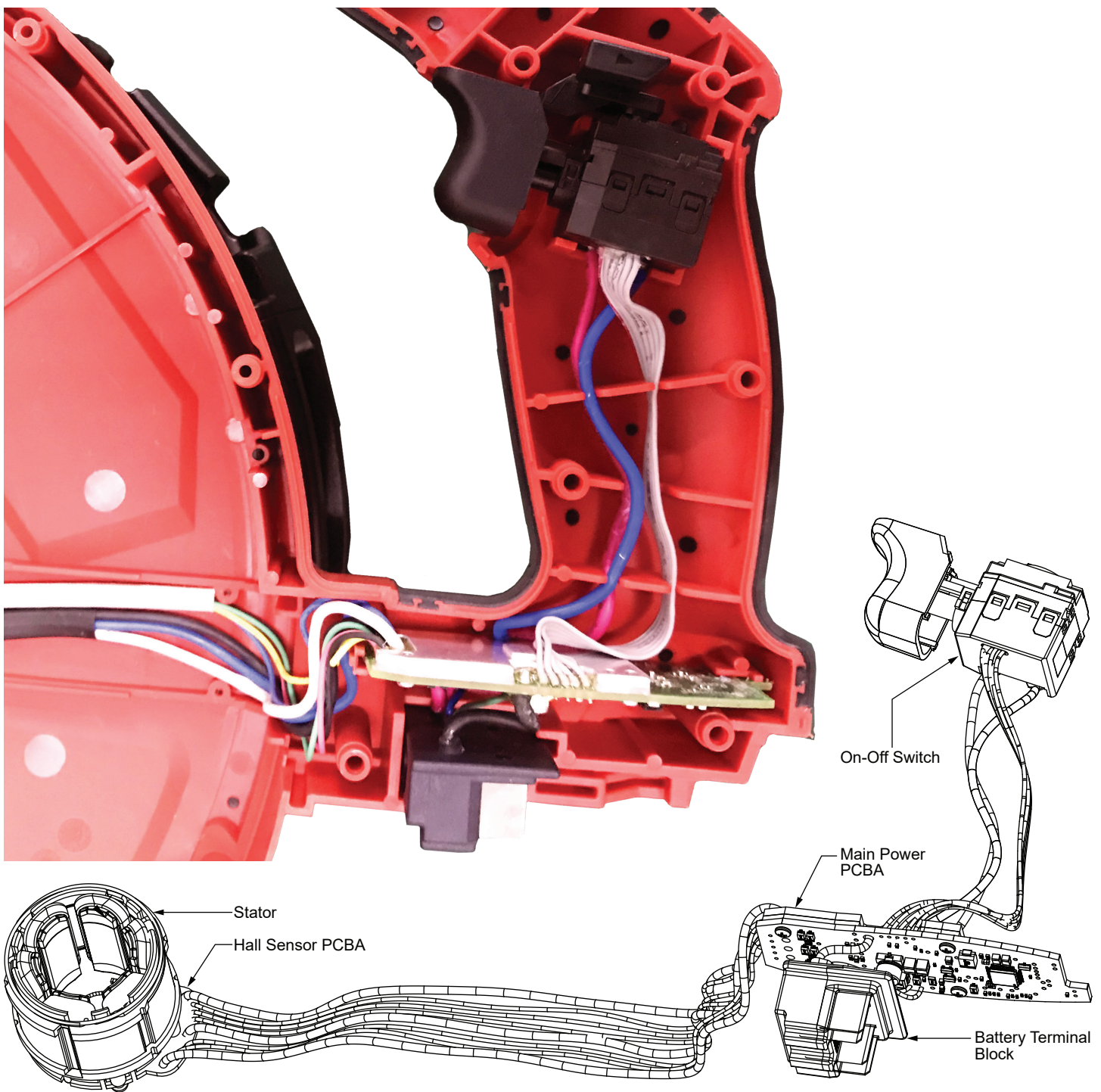


FIG.	PART NO.	DESCRIPTION OF PART	NO. REQ.
19	-----	Hub Washer	(1)
20	-----	Wire Track Cover	(1)
21	-----	Shroud Handle Halve-Right	(1)
22	05-74-0078	M4 x14mm Pan Hd. T-20 Machine Screw	(4)
23	-----	Motor Cap	(1)
24	06-82-2660	M3.5 x 8mm Pan Hd. Taptite T-10 Screw	(8)
25	-----	FUEL/Brushless Badge	(1)
26	-----	Gear Case Hub	(1)
27	05-74-0032	M3 x 8.5mm Pan Hd. T-10 Machine Screw	(8)
28	-----	Cover Washer	(1)
29	-----	Hub Bushing	(1)
30	-----	Output Carrier	(1)
31	-----	3rd Ring Gear	(1)
32	-----	3rd Planet Gear	(3)
33	-----	3rd Sun Gear	(1)
34	-----	1st and 2nd Ring Gear	(1)
35	-----	1st and 2nd Planet Gear	(6)
36	-----	2nd Sun Gear	(1)
37	-----	Motor Plate	(1)
38	-----	Gear Case	(1)
45	-----	Motor Insulator Halve-Left	(1)
47	-----	Motor Insulator Halve-Right	(1)
50	05-74-0022	M3 x 12mm Pan Hd. ST T-10 Screw	(7)
51	-----	Felt Gasket	(1)
52	-----	Non-Conductive Nozzle	(1)
58	12-20-0187	Service Nameplate-Tool	(1)
59	12-20-0188	Service Nameplate-Drum	(1)
60	10-20-3209	Label (100'/30m Steel Drum, 48-44-5185)	(1)
60	10-20-3207	Label (120'/37m Steel Drum, 48-44-5176)	(1)
60	10-20-3208	Label (240'/73m Steel Drum, 48-44-5178)	(1)

FIG.	PART NO.	DESCRIPTION OF PART	NO. REQ.
60	10-20-3301	Label (100'/30m Non-Conductive Drum, 48-44-5195)	(1)
60	10-20-3302	Label (200'/61m Non-Conductive Drum, 48-44-5197)	(1)
70	14-34-0028	Handle Kit	(1)
71	22-68-0011	Wire Track Cover Kit	(1)
72	16-01-0026	Rotor Assembly	(1)
73	14-20-0123	Electronics Assembly	(1)
74	31-50-0034	Motor Insulator Kit	(1)
75	43-44-0021	Motor Cap Kit	(1)
76	42-52-0011	FUEL/Brushless Badge Kit	(1)
77	31-50-0057	Gear Case Hub Kit	(1)
78	42-40-0024	Gear Case Bushing Kit	(1)
79	14-29-0043	Gear Case Assembly	(1)
80	42-20-0011	Nozzle Kit for Steel Fish Tape	(1)
81	31-01-0016	Nozzle Kit for Non-Conductive Fish Tape	(1)
90	48-44-5185	100'/30m Steel Fish Tape Drum Assembly	(1)
91	48-44-5176	120'/37m Steel Fish Tape Drum Assembly	(1)
92	48-44-5178	240'/73m Steel Fish Tape Drum Assembly	(1)
93	48-44-5195	100'/30m Non-Conductive Fish Tape Drum Assy.	(1)
94	48-44-5197	200'/61m Non-Conductive Fish Tape Drum Assy.	(1)



AS AN AID TO REASSEMBLY, TAKE NOTICE OF WIRE ROUTING AND POSITION IN WIRE GUIDES AND TRAPS WHILE DISMANTLING TOOL.

BE SURE THAT ALL COMPONENTS OF THE ELECTRONICS KIT ARE SEATED FIRMLY AND SQUARELY IN THE HANDLE RECESSES.

AVOID PINCHED WIRES, BE SURE THAT ALL WIRES AND SLEEVES ARE PRESSED COMPLETELY DOWN IN WIRE GUIDES AND TRAPS.

PRIOR TO SECURING HANDLE COVER ONTO HANDLE SUPPORT, BE SURE THAT THERE ARE NO INTERFERENCES.

BEFORE INSTALLING BATTERY, CHECK FOR PROPER FUNCTIONALITY OF SHUTTLE AND TRIGGER.

INSTALL BATTERY AND DEPRESS SWITCH TRIGGER TO ASSURE TOOL IS OPERATING PROPERLY.